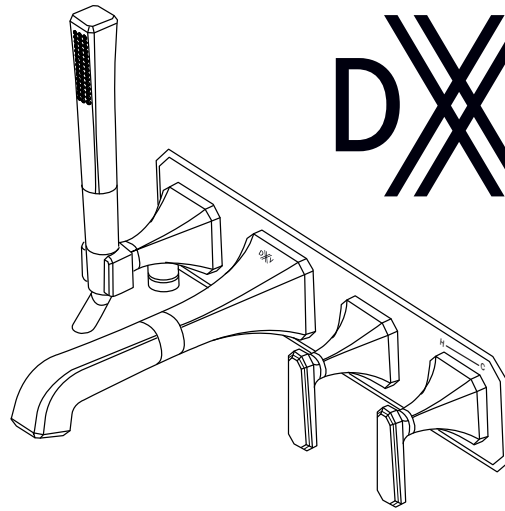


# INSTALLATION INSTRUCTIONS



## DXV Belshire™ Wall-Mount Tub Filler Model D35170980

Thank you for selecting DXV. To ensure that your installation proceeds smoothly, please read these instructions carefully before you begin.

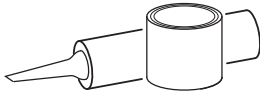


### RECOMMENDED TOOLS AND MATERIALS

Most of the procedures require the use of common tools and materials, which are available from hardware and plumbing, supply stores. It is essential that the tools and materials be on hand before work is begun.



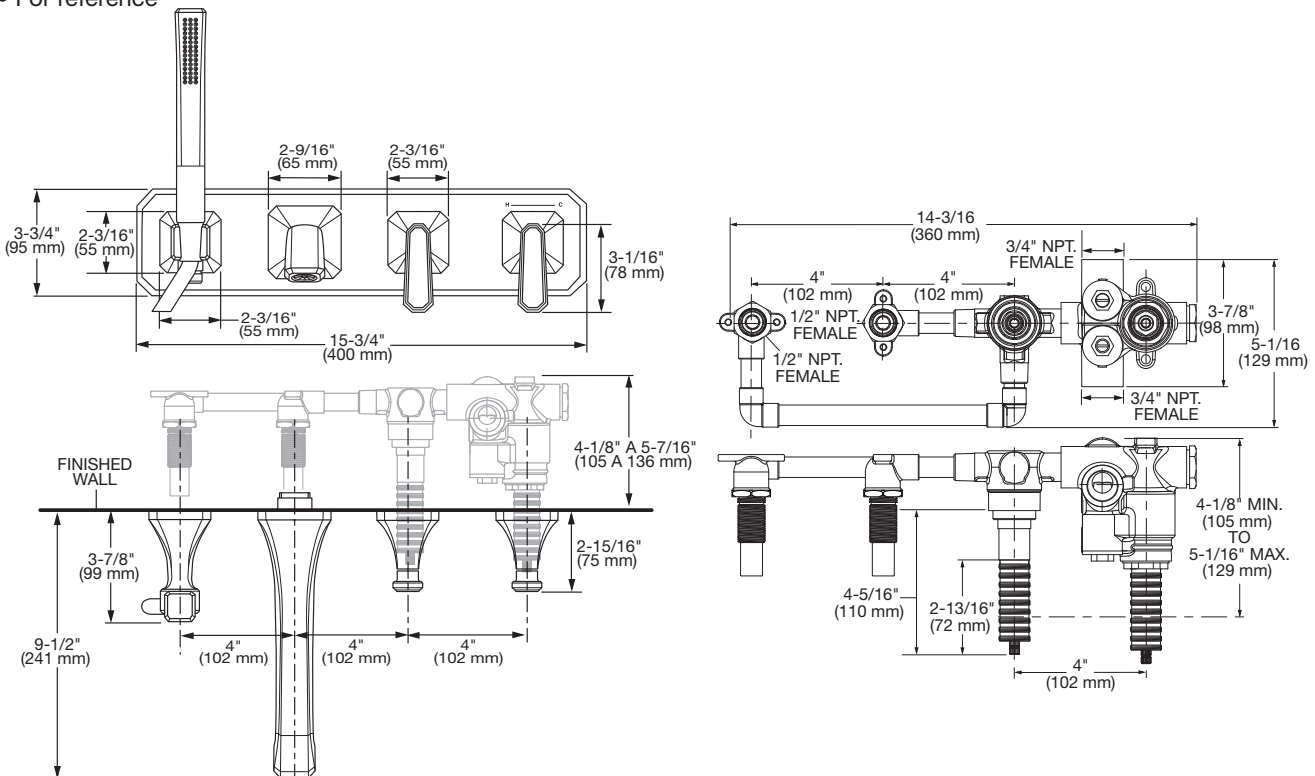
Hex Wrench  
(Supplied)



Plumbers' Putty or Caulking

### ROUGHING-IN DIMENSIONS:

- For reference



#### In the United States:

DXV  
One Centennial Avenue  
Piscataway, New Jersey 08855  
Attention: Director of Customer Care

For residents of the United States, warranty information may also be obtained by calling the following toll free number: (800) 227-2734  
www.DXV.com

#### In Canada:

DXV  
5900 Avebury Road  
Mississauga, Ontario  
L5R 3M3  
Canada

Toll Free: 1-800-387-0369  
Local: 905-306-1093  
Fax: 1-800-395-1498  
www.DXV.ca

#### In Mexico:

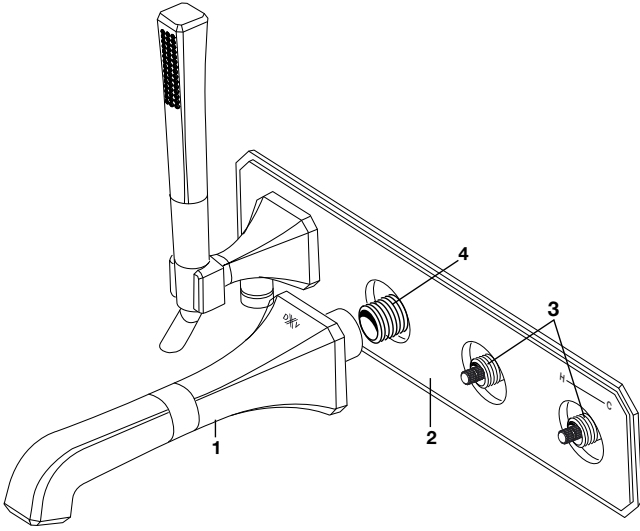
DXV  
Via Morelos 330  
Col. Santa Clara Coatitla  
Ecatepec, Estado de México 55540

Toll Free: 01-800-8391200  
www.DXV.mx

SAVE FOR FUTURE USE

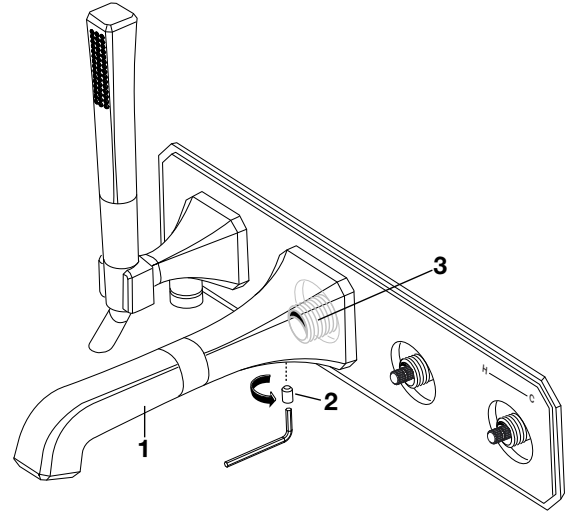
## 1 INSTALL SPOUT

- Install ESCUTCHEON (2) onto TUBE (3).
- Thread TUB FILLER SPOUT (1) onto ADAPTER (4) flush against finished wall.



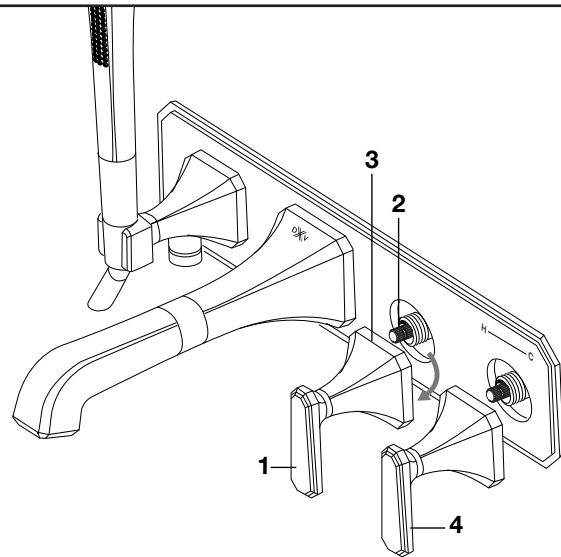
## 2 SECURE SPOUT

- Align spout and tighten SET SCREW (2) to secure TUB FILLER SPOUT (1) to ADAPTER (3).



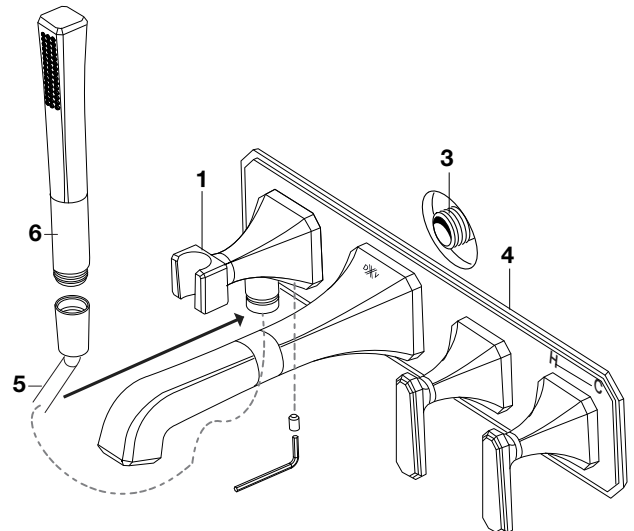
## 3 INSTALL HANDLE

- Push HANDLE (1) onto SPLINE (2).
- NOTE:** Check that the cartridge is in neutral position.
- For proper installation thread HANDLE (1) by turning ESCUTCHEON (3) clockwise.
- Install HANDLE (4) the same way.
- NOTE:** Check that the cartridge is in neutral position.



## 4 INSTALL HAND SHOWER

- Thread HAND SHOWER HOLDER (1) onto ADAPTER (3) flush against ESCUTCHEON (4).
- Align HAND SHOWER HOLDER (1) and tighten SET SCREW (2) to secure HAND SHOWER HOLDER (1) to ADAPTER (3).



### 4a

- Thread HOSE (5) onto HAND SHOWER HOLDER (1).
- Thread the other end of HOSE (5) to the HAND SHOWER (6).
- Secure the HAND SHOWER (6) by placing in the HAND SHOWER HOLDER (1).



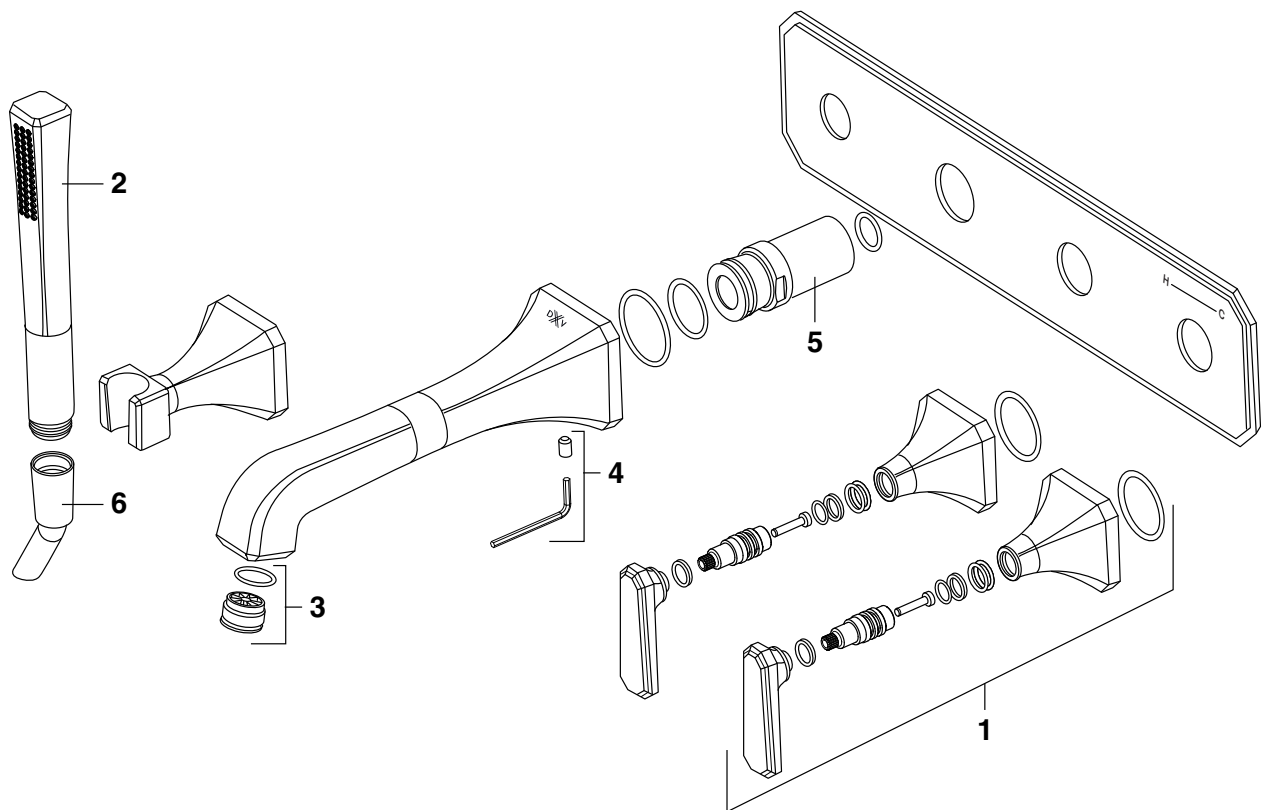
# DXV Belshire™ Wall-Mount Tub Filler

MODEL NUMBER

**D35170980**

Replace the "YYY" with appropriate finish code

POLISHED CHROME	100
BRUSHED NICKEL	144
PLATINUM NICKEL	150
SATIN BRASS	427



1	D970001-YYY0A	LEVER HANDLE KIT
2	D35170781-YYY	HAND SHOWER
3	M964442-0070A	AERATOR KIT
4	D970013-0070A	SET SCREW KIT
5	H961263.191	SPOUT ADAPTER
6	M970322-YYY0A	HAND SHOWER HOSE