

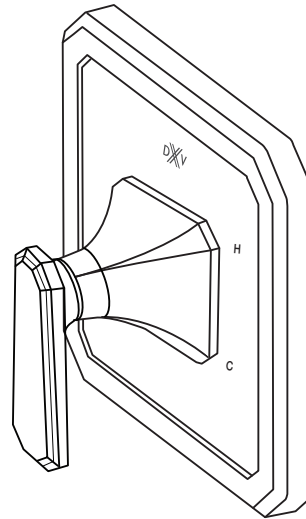
# INSTALLATION INSTRUCTIONS



## DXV Belshire™ Pressure Balance Shower Valve Trim

Model D351705X

Thank you for selecting DXV. To ensure that your installation proceeds smoothly, please read these instructions carefully before you begin.

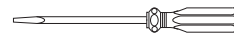


### RECOMMENDED TOOLS AND MATERIALS

Most of the procedures require the use of common tools and materials, which are available from hardware and plumbing supply stores. It is essential that the tools and materials be on hand before work has begun.



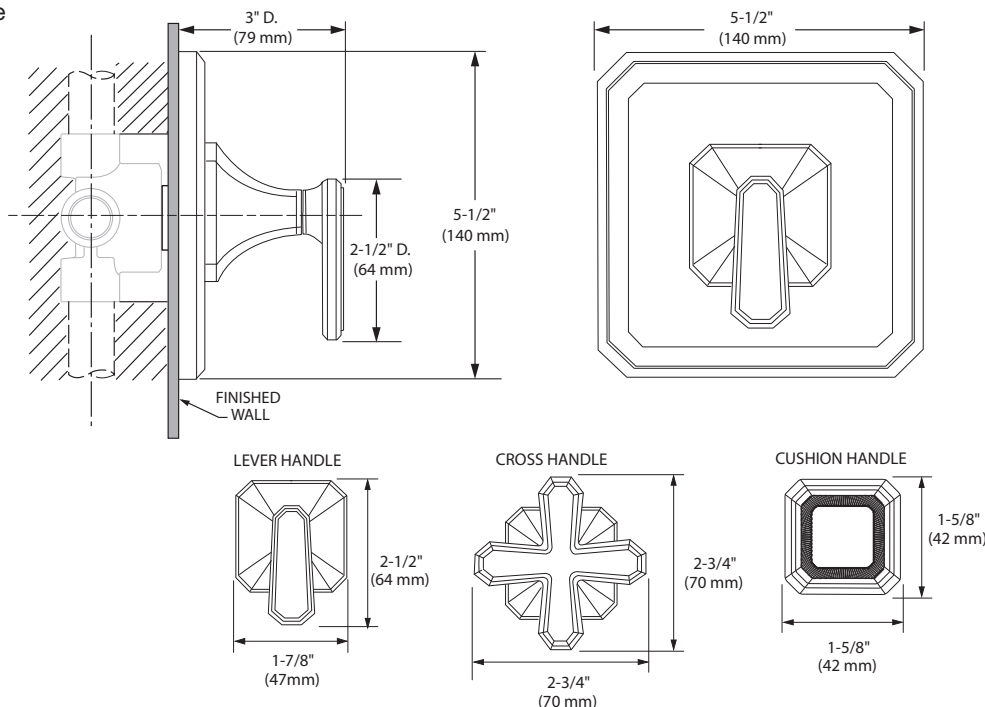
Phillips Screwdriver



Flat Blade Screwdriver

### ROUGH-IN DIMENSIONS DIMENSIONS:

• For reference



#### In the United States:

DXV  
One Centennial Avenue  
Piscataway, New Jersey 08855  
Attention: Director of Customer Care

For residents of the United States, warranty information may also be obtained by calling the following toll free number: (800) 227-2734  
[www.DXV.com](http://www.DXV.com)

#### In Canada:

DXV  
5900 Avebury Road  
Mississauga, Ontario  
L5R 3M3  
Canada

Toll Free: 1-800-387-0369  
Local: 905-306-1093  
Fax: 1-800-395-1498  
[www.DXV.ca](http://www.DXV.ca)

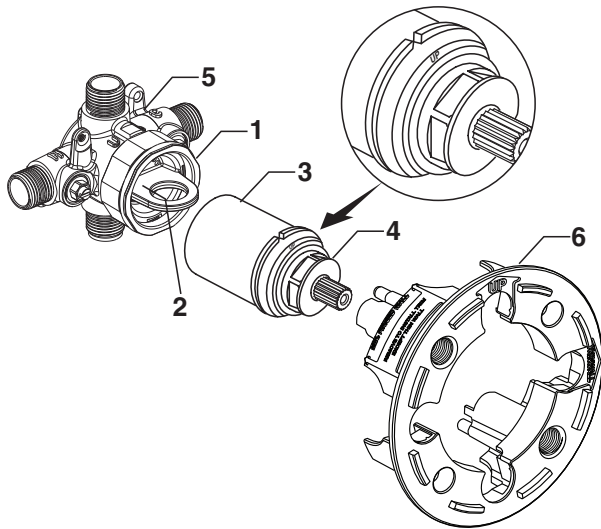
#### In Mexico:

DXV  
Via Morelos 330  
Col. Santa Clara Coatitla  
Ecatepec, Estado de México 55540

Toll Free: 01-800-8391200  
[www.DXV.mx](http://www.DXV.mx)

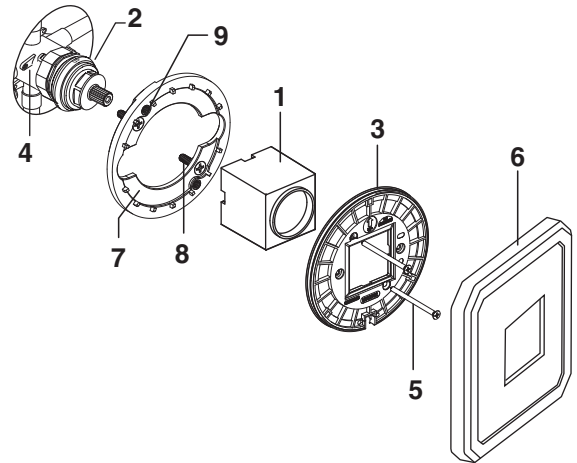
SAVE FOR FUTURE USE

## 1 CARTRIDGE INSTALLATION



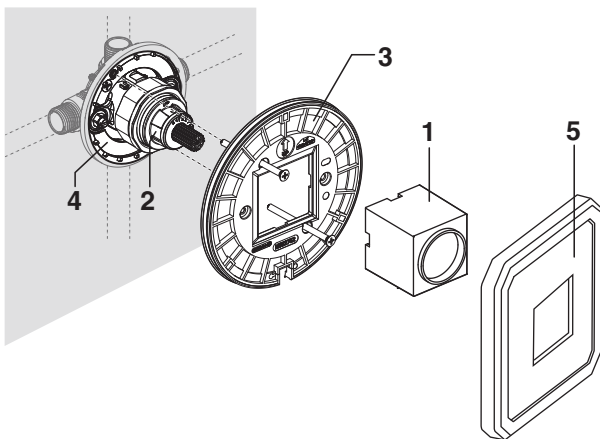
- Remove PLASTER GUARD (6).
- Remove BONNET NUT (1) by unthreading it Counter clockwise. Remove FLUSH PLUG (2).
- Remove PROTECTIVE HOUSING (3) from CARTRIDGE (4). Install with “UP” text on top.
- Reinstall BONNET NUT (1) onto VALVE BODY (5) and tighten firmly.

## 2 TRIM INSTALLATION (STANDARD WALL INSTALLATION)



- Install MOUNTING SCREWS (8) through ADAPTER (7) and into THREADED TABS (4). Tighten MOUNTING SCREWS (8) securely.
- Push VALVE COVER (1) over VALVE CARTRIDGE (2) until it is seated against the stop.
- Place ESCUTCHEON HOLDER (3) over VALVE COVER (1).
- Install MOUNTING SCREWS (5) through ESCUTCHEON HOLDER (3) and into THREADED HOLES (9) on ADAPTER (7). Tighten MOUNTING SCREWS (5) securely.
- Place ESCUTCHEON (6) over ESCUTCHEON HOLDER (3) and push evenly for a snap fit.

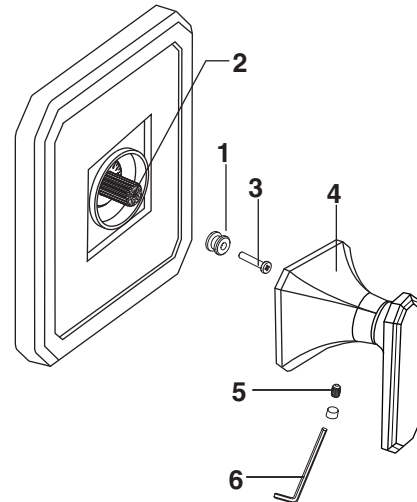
## 3 TRIM INSTALLATION (THIN WALL INSTALLATION)



**NOTE:** MOUNTING PLATE (4) and ESCUTCHEON HOLDER (3) are installed in Rough Valve installation sheet.

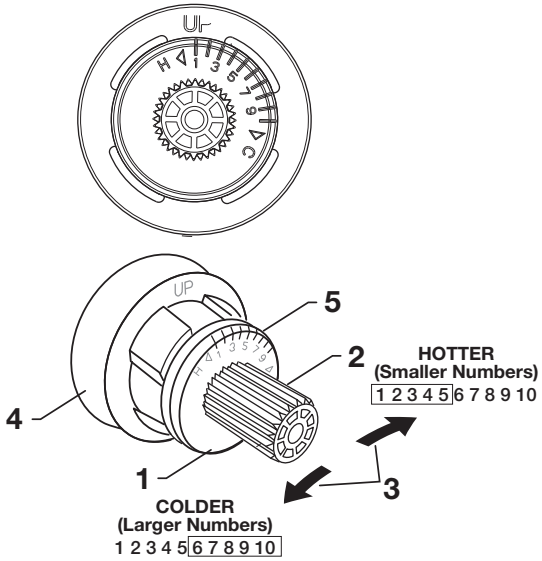
- Push VALVE COVER (1) over VALVE CARTRIDGE (2) until it is seated against the stop.
- Place ESCUTCHEON (5) over ESCUTCHEON HOLDER (3) and push evenly for a snap fit.

## 4 HANDLE INSTALLATION



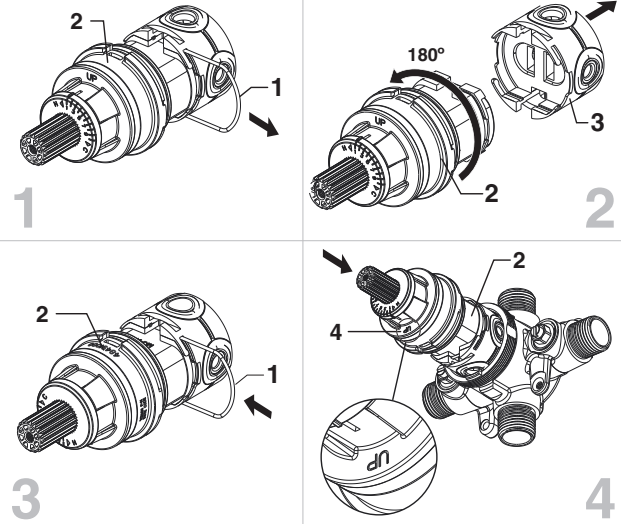
- Install HANDLE ADAPTER (1) onto VALVE STEM (2).
- Install HANDLE SCREW (3) and tighten.
- Align HANDLE (4) and push onto HANDLE ADAPTER (1).
- Tighten SET SCREW (5) with HEX WRENCH (6) supplied with trim kit.

## 5 ADJUST HOT LIMIT STOP



- By restricting HANDLE rotation and limiting the amount of hot water allowed to mix with the cold, the HOT LIMIT SAFETY STOP (1) reduces risk of accidental scalding. To set the maximum hot water temperature of your faucet valve, adjust the setting on the HOT LIMIT SAFETY STOP (1).
- Turn CARTRIDGE STEM (2) to the OFF position (coldest setting) before making adjustment to HOT LIMIT STOP (3). Pull forward and rotate counterclockwise one number to limit hot water temperature. Use NUMBERS (5) on CARTRIDGE (4) on HOT LIMIT STOP (3) for indication.

## 6 BACK TO BACK INSTALLATION



- Remove PIN (1) from CARTRIDGE (2) by pulling.
- Separate MANIFOLD (3) from CARTRIDGE (2) by pulling.
- Rotate CARTRIDGE (2) 180 degrees and reinstall MANIFOLD (3) with PIN (1).
- The “up” TEXT (4) should now be facing downward during installation of the CARTRIDGE (2).

### CARE AND CLEANING:

**Do:** Simply rinse the product clean with clear water, dry with a soft cotton flannel cloth.

**Do Not:** Clean the product with soaps, acid, polish, abrasives, harsh cleaners, or a cloth with a coarse surface.



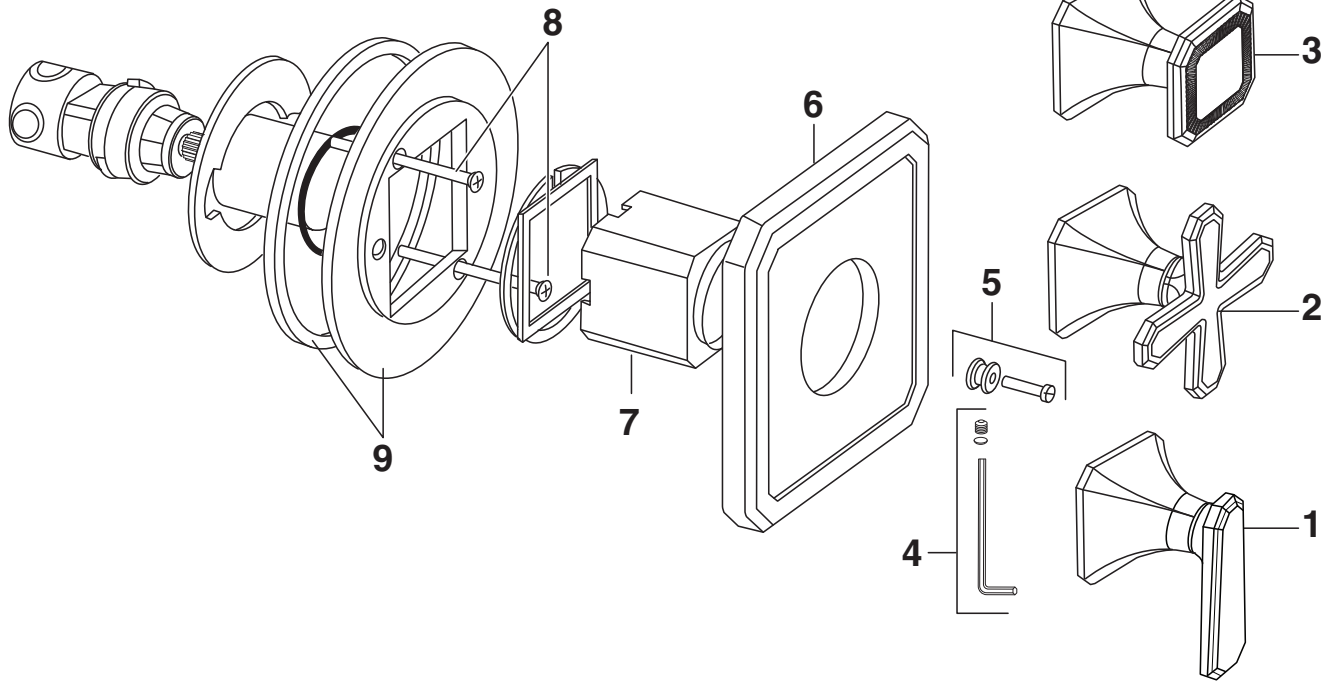
# DXV Belshire™ Pressure Balance Shower Valve Trim

MODEL NUMBER

**D351705X**

Replace the “YYY” with appropriate finish code

POLISHED CHROME	100
BRUSHED NICKEL	144
PLATINUM NICKEL	150
SATIN BRASS	427



1	D970001-YYY0A	LEVER HANDLE KIT
2	D970002-YYY0A	CROSS HANDLE KIT
3	D970003-YYY0A	CUSHION HANDLE KIT
4	M970015-YYY0A	BUTTON & SET SCREW KIT
5	M970457-0070A	HANDLE ADAPTER
6	D970007-YYY0A	ESCUTCHEON
7	M970016-YYY0A	CAP
8	078016-0020A	ESCUTCHEON SCREWS
9	M970017-0070A	MOUNTING PLATE