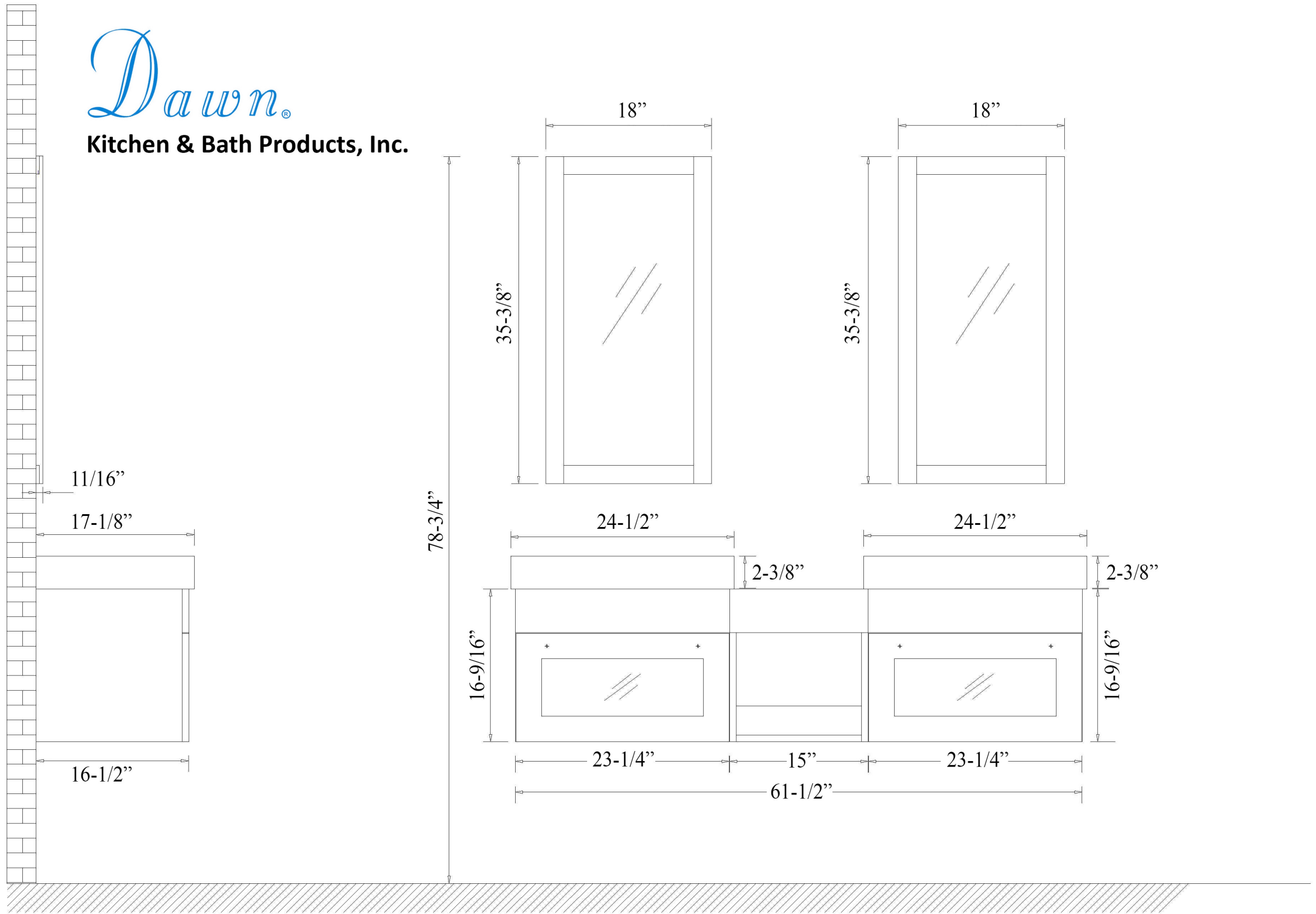


Dawn.

Kitchen & Bath Products, Inc.



UN8808-06