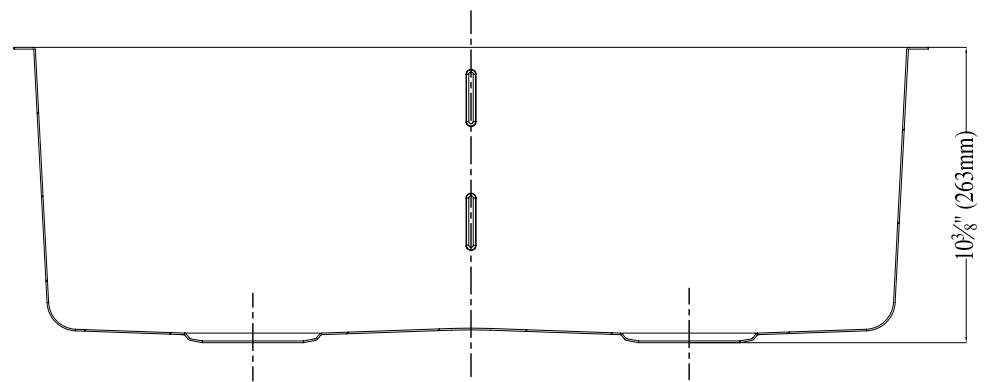
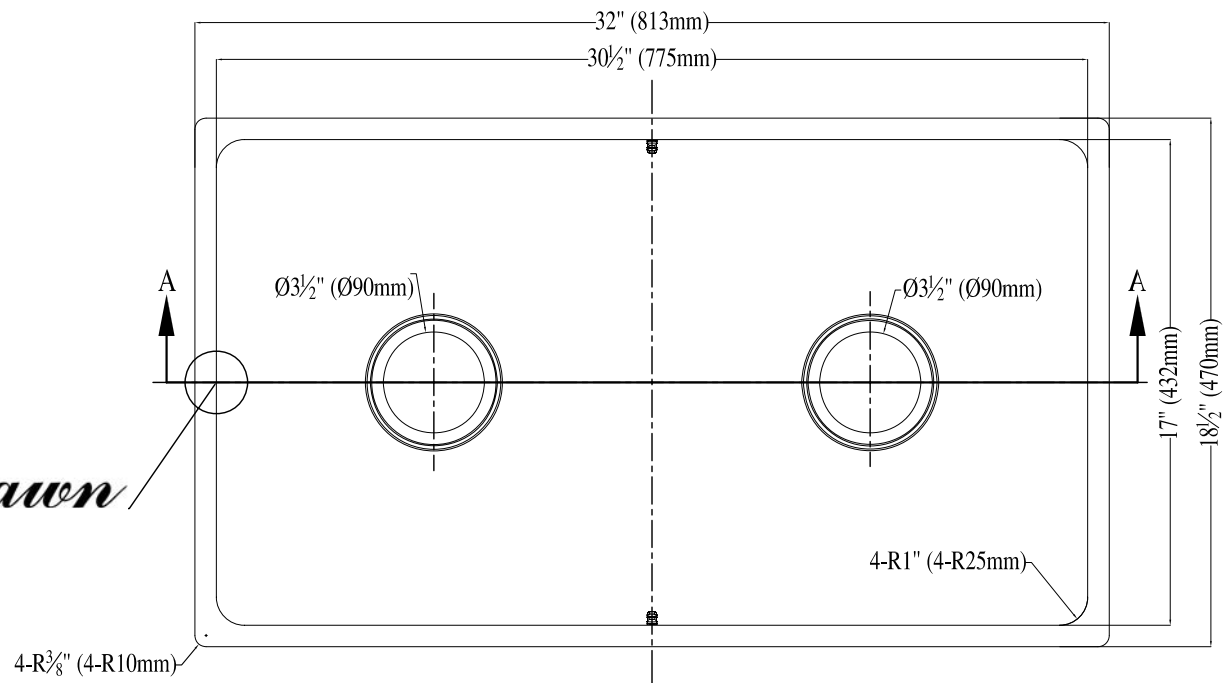


Dawn



SECTION A-A

Model No:DSC301717
Overall size:
32"x18½"x10⅜"

FEATURES:
Type 304 stainless steel
16Gauge thickness
Satin finish.

INSTALLATION
Undermount installation
Supplied With Cutout
template.

Dawn Kitchen & Bath Products, Inc.