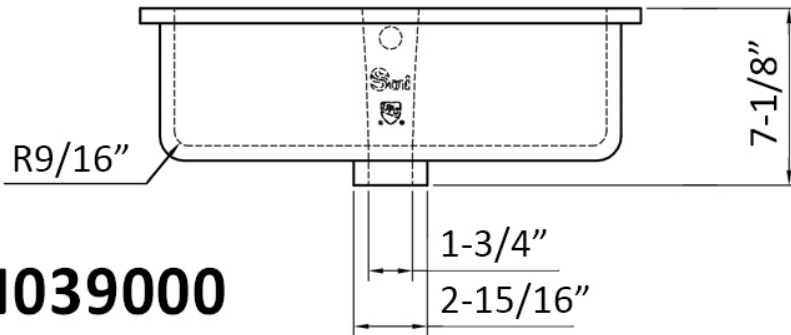
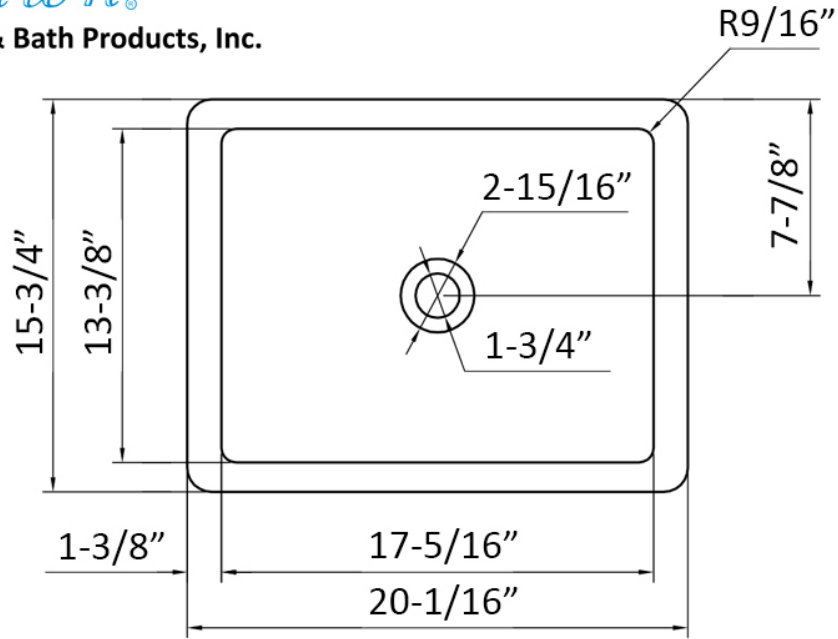


Dawn.

Kitchen & Bath Products, Inc.



CUSN039000