

Model No: ASU102

Overall size:

18½" X 15¾" X 8"

FEATURES:

Type 304 stainless steel

18 Gauge thickness

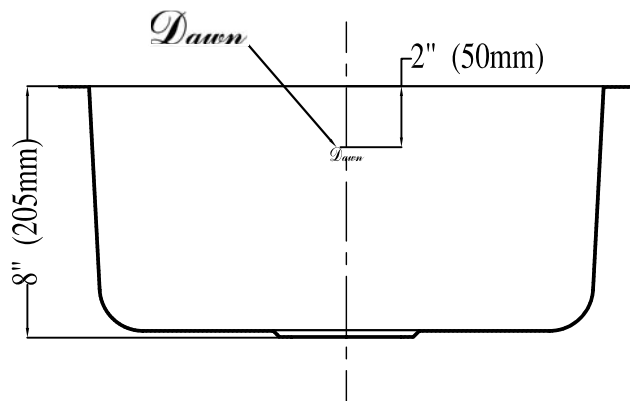
Satin finish.

INSTALLATION

Undermount installation

Supplied With Cutout

template.



SECTION A-A

Dawn Kitchen & Bath Products, Inc.