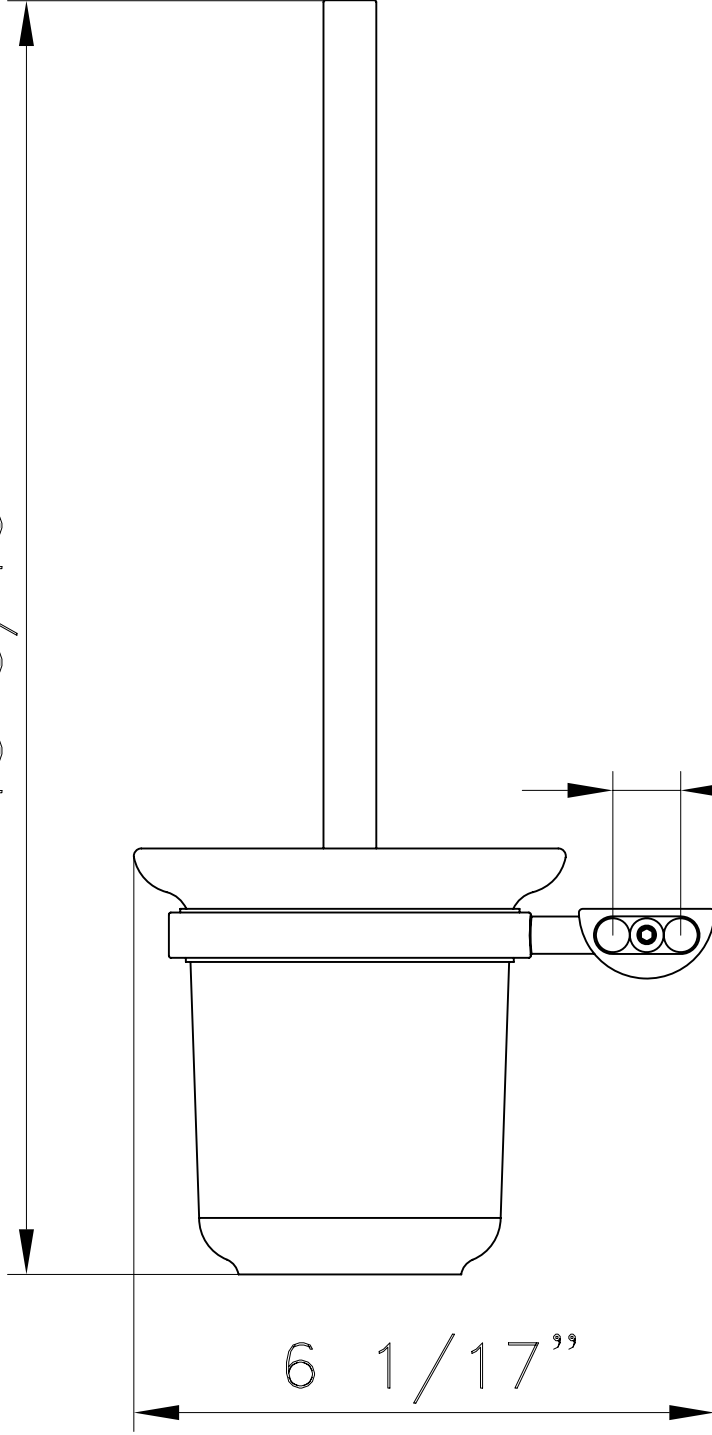
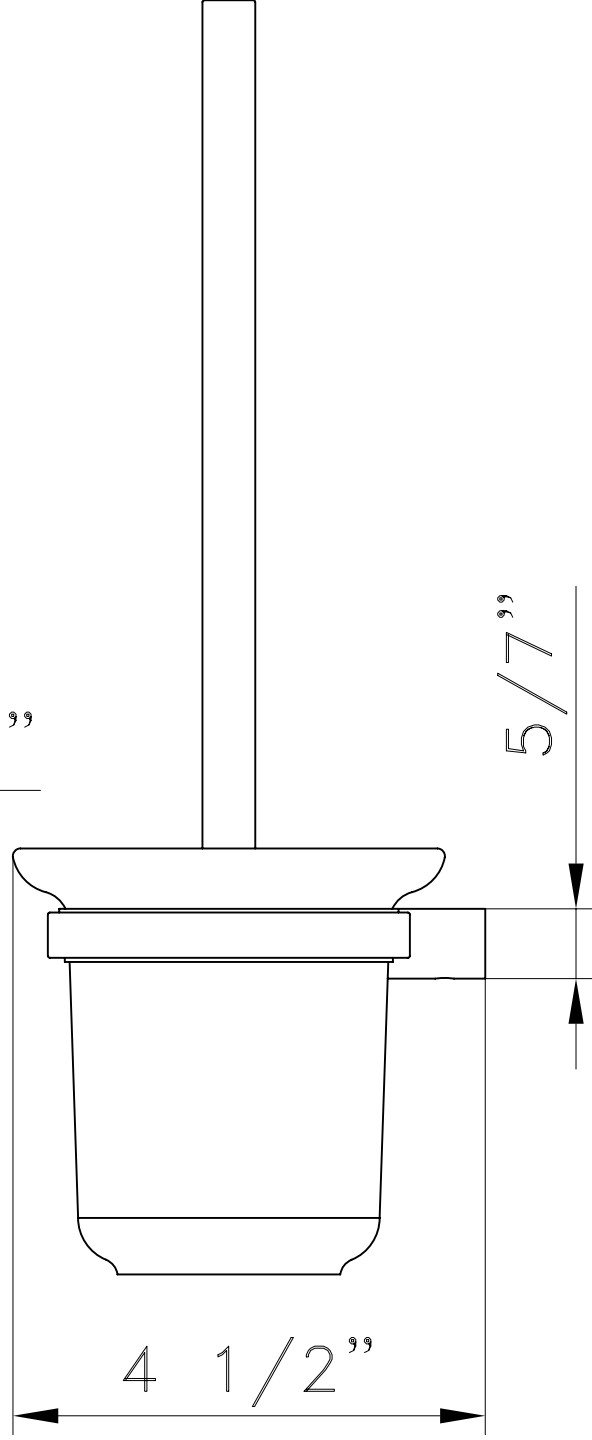


13 3/10"



$\frac{7}{10}$ "

$\frac{5}{7}$ "



$4 \frac{1}{2}$ "