

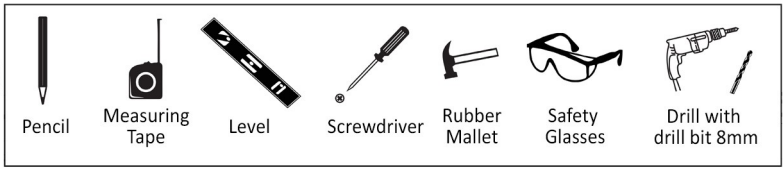
Dawn®

Kitchen & Bath Products, Inc.

DLEDLV14 Installation Instructions

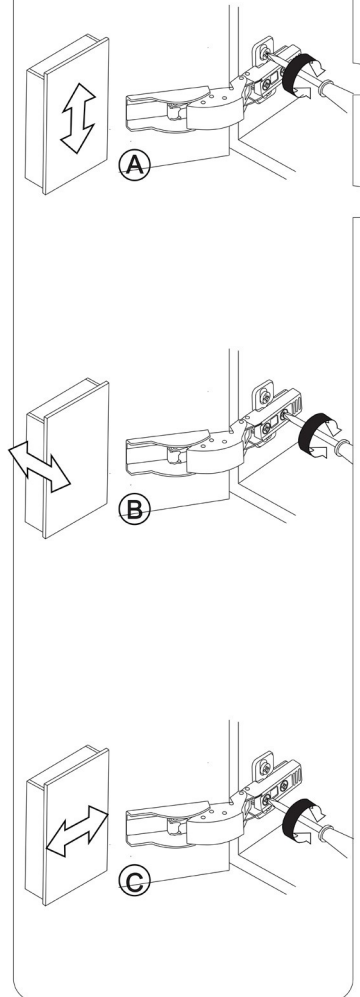
27688 Industrial Blvd., Hayward, CA 94545
Toll-Free: 877-329-6872 • Fax: 510-723-0099
dp@dawnusa.net • www.dawnusa.net

TAKE OFF THE BUFFER AND THE COVER OF THE HINGE WHEN DOOR NEED TO BE ADJUSTED



DLEDLV14 21-5/8" x 5-5/16" x 27-9/16"

LED Aluminum Mirror/Medicine Cabinet (Dimmer Sensor)
Matte Aluminum Frame



Door adjustment
CE IP23

