

*Dawn*

**Kitchen & Bath Products, Inc.**

**DLEDL03AS  
Installation Instructions**

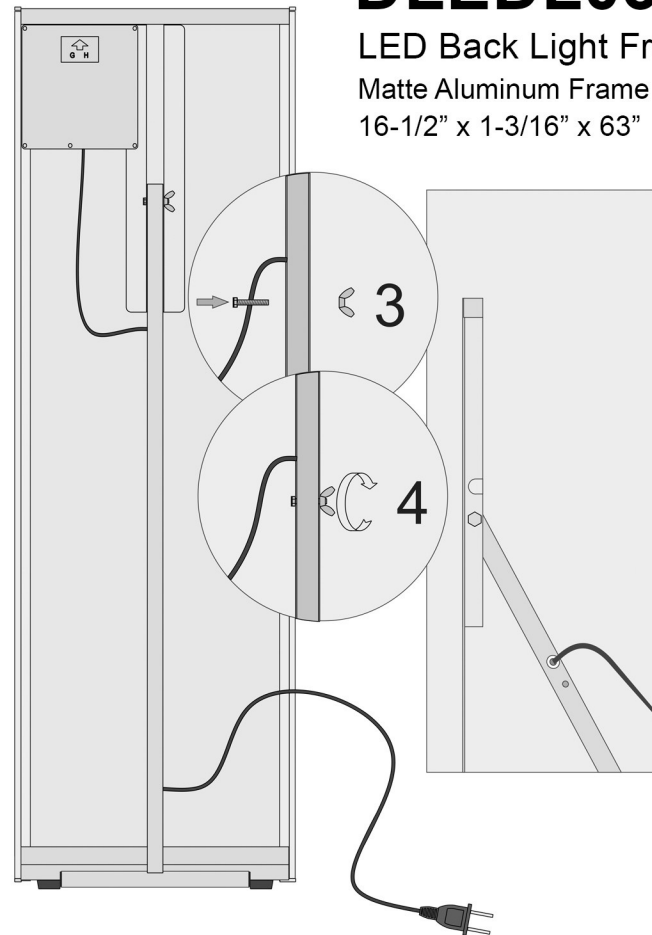
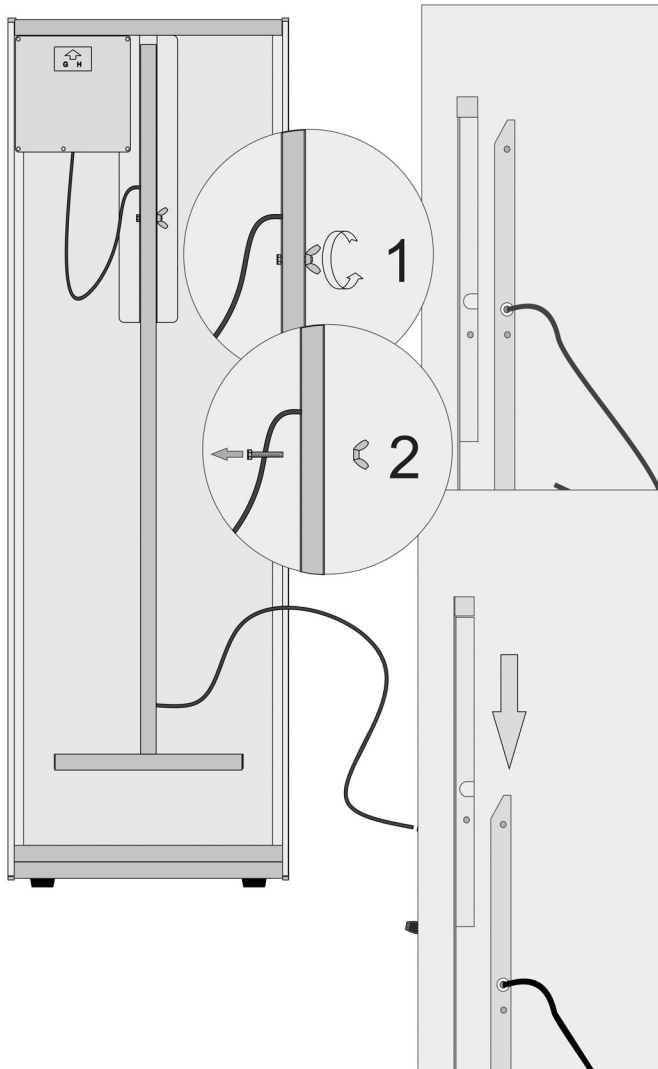
27688 Industrial Blvd., Hayward, CA 94545  
Toll-Free: 877-329-6872 • Fax: 510-723-0099  
dp@dawnusa.net • www.dawnusa.net

**DLEDL03AS**

LED Back Light Free Standing Mirror (with IR Sensor)

Matte Aluminum Frame

16-1/2" x 1-3/16" x 63"



CE IP44

