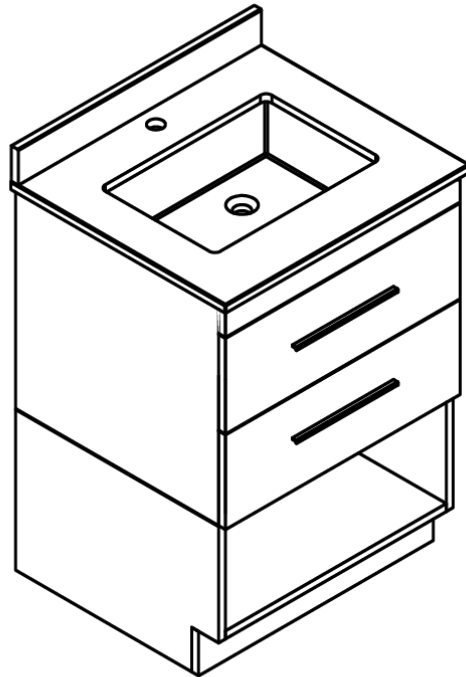


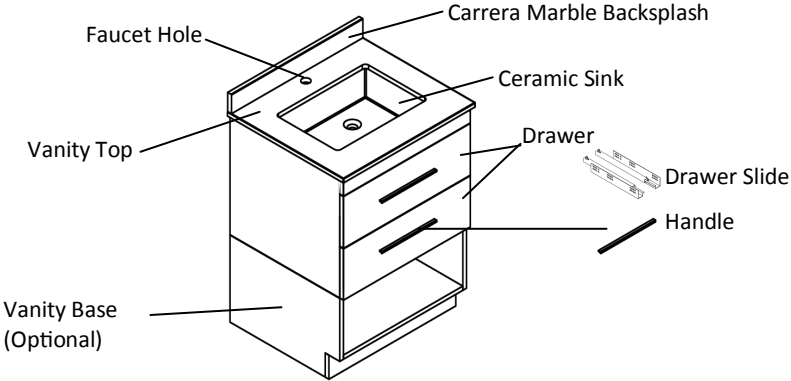
## Vanity Installation Guide Gloria Series



Please read all instructions carefully before starting the installation.

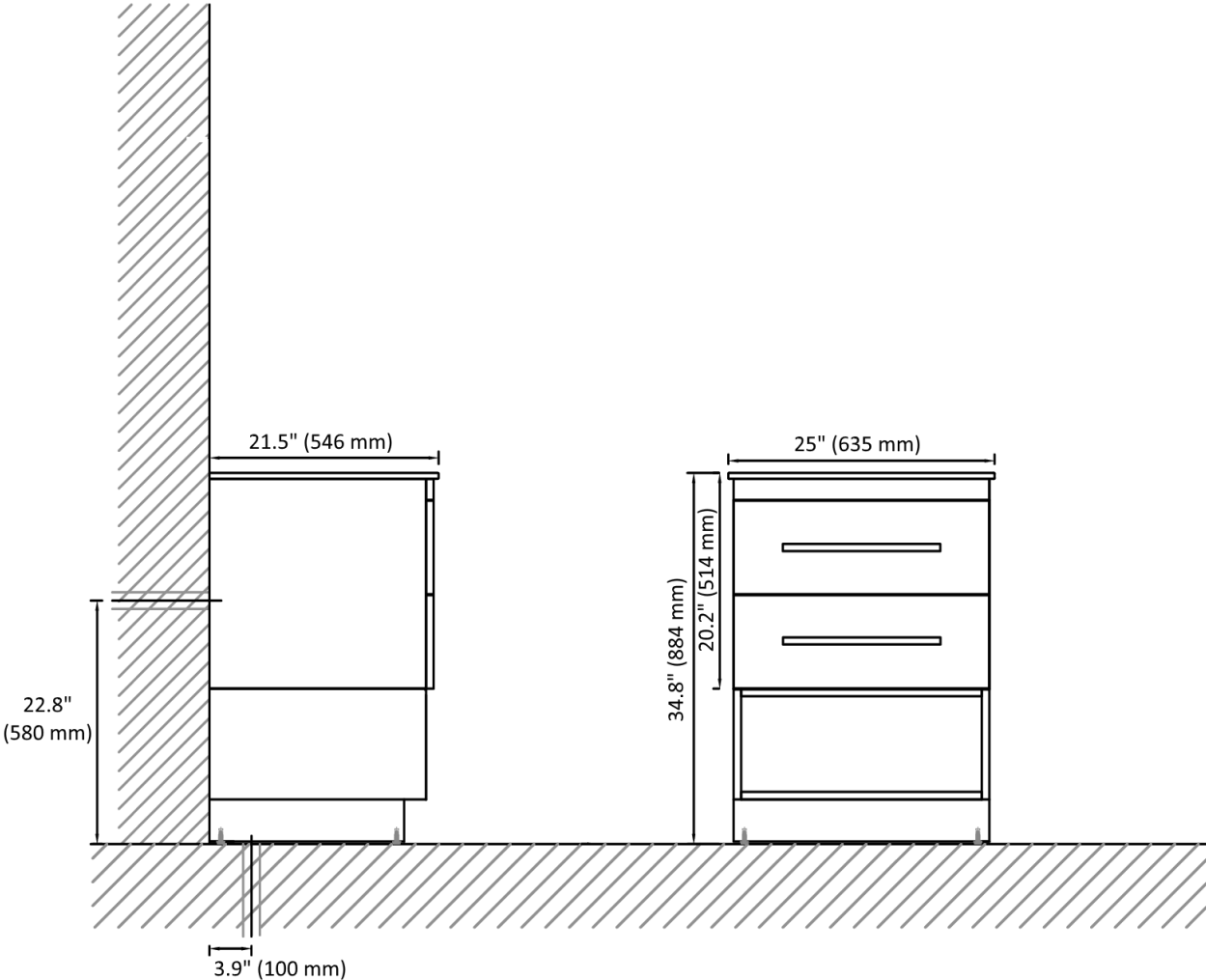
**IMPORTANT:** Recommended for professional installers only. The installer maintains responsibility for installing the product safely.

PARTS



Note: Faucet sold separately  
Actual product parts may look different.

DIMENSIONS



\*Drawings are for reference only. Please refer to actual product for exact size, shape, color, and parts.  
\*Dawn reserves the right to make revisions in the design of faucets without notice for improvement of product performance and quality.

**MATERIALS & TOOLS**

Safety Glasses, Pencil, Level, Tape Measure, Stud Finder, Assorted Screwdrivers, Assorted Wrenches, Drill, Screw Gun, Caulking Gun, Hammer, Screws, Nail Anchors/Molly Screws

**BEFORE YOU BEGIN**

● **Comply with Plumbing Codes**

Before installing any Dawn product in your home, you should make sure you are in compliance with all local plumbing codes.

● **Check Product Condition**

Before installation, please check the condition of the product and, if appropriate, its components. If there is any problem with the product and/or its components, please contact the store you purchased it from for a replacement. As soon as you have inspected your product, please return it to its original packaging until you are ready to install it.

● **Handle with Care**

To protect its finish and avoid damage before and after installation, please handle the product with care. For care and cleaning tips after installation, please refer to the *Care and Cleaning Guide* in this instruction guide.

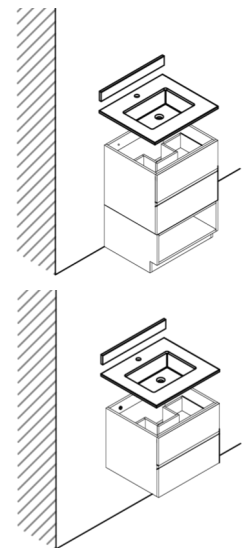
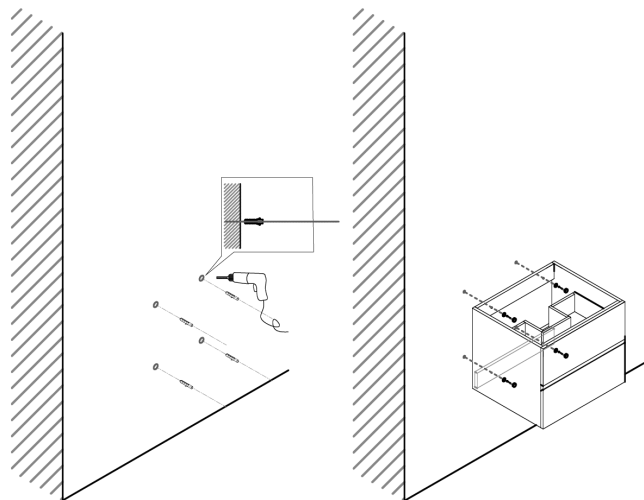
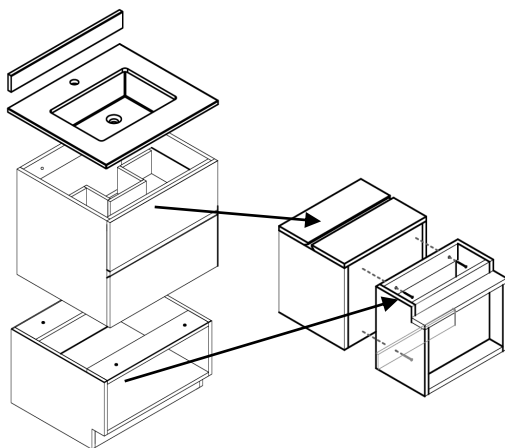
**INSTALLATION**

*IMPORTANT: Recommended for professional installers only. The installer maintains responsibility for installing the product safely.*

**1. Install the Vanity**

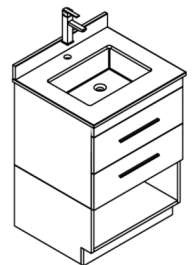
- Use a stud finder to locate and mark the wall studs.
- Remove the drawers. Lift and place the vanity cabinet in position against the finished wall. Make sure the top is level and the supply valves clear any drawers and/or shelves in the cabinet.
- Drill pilot holes through the vanity back and the finished wall. For holes not inline with studs, push or hammer in wall anchors that are made for your wall surface.
- Secure the cabinet to the finished wall with screws.

**Note: Vanity base is optional.**



**2. Install the Vanity Top**

- Run a bead of silicone adhesive around the top of the vanity cabinet. Place the vanity top on top of the cabinet and press firmly in place. Let the silicone adhesive cure.
- Install the backsplash: Position the backsplash on top of the vanity and flush against the finished wall. Align the sides of the backsplash with the sides of the vanity top. Run a bead of silicone adhesive on the back surface to secure the backsplash to the wall. Apply a bead of caulk along the seam of the wall and backsplash as well as the seam of the backsplash and vanity top.
- Assemble the faucet and the sink drain to the vanity top.
- Connect the water supply lines and the drain.
- Reinstall the drawer(s).
- Apply a bead of caulk along the back edge against the wall. Clean up any excess. Allow 24 hours to dry.
- Turn on the water to test for leaks.



**LEGAL DISCLAIMER:**

- This instruction guide is done as a public service to customers of Dawn Kitchen & Bath Products, Inc. ("Dawn"). For special situations or further assistance, please consult professionals.
- All products should be inspected by customers upon receipt and before any installation. Any defective product should be reported immediately and should NOT be installed.
- Requirements may vary for installation in a granite, marble, stone, or butcher block countertop.
- Installation by professional installers is highly recommended. Dawn assumes no liability for any damages incurred through the use of information provided in this guide.

---

## CARE AND CLEANING

---

### Dawn® Vanity Cabinets

Wood naturally darkens over time or changes slightly in color due to light exposure and may go unnoticed from day to day. However, over an extended period of time it may become more noticeable, depending on the amount of sunlight exposure. Our warranty replacement products are not guaranteed to have an exact match. Any imperfections such as small surface splits, small dark pits or dark mineral streaks are natural and will not be considered as defects.

- Do regular routine cleaning rather than an occasional aggressive single cleaning.
- Dust frequently with a soft cloth and occasionally use a wood cleaner that is not silicone based.
- Do not place in direct sunlight or near windows with direct sunlight exposure.
- Avoid extreme temperature changes and keep away from heater and air conditioning units.
- Do not allow liquids to remain on the wood surfaces for longer than necessary.
- Liquid absorption will cause wood to warp, bubble, and crack, and your finish may peel.

### Dawn® Glass Sinks

Dawn® glass sinks are manufactured to our highest possible standards and regulations to ensure you receive the utmost quality. Dawn® tempered glass sinks are made to last because the tempering process makes them stronger than annealed glass. That does not mean they are indestructible, but rather more durable and practical for everyday use. We have a few recommendations to make your sink last and maintain its sheen. Glass is subject to thermal stress when it experiences extreme hot or cold conditions suddenly. Glass needs time to be heated or cooled to extreme temperatures, and sudden changes can cause stress cracks to the product.

- Clean regularly with hot water and a mild detergent solution applied with a soft cloth or sponge to remove deposits.
- Rinse thoroughly and towel dry after every use to prevent water spots and mineral deposits.
- Drying your sink afterwards will help prevent water spots.
- Rain-X®, which is available at most automotive departments can be applied to keep your Dawn® sink water spot free.

### Dawn® Ceramic Sinks

To keep your Dawn® products the center of attention, we suggest you follow these guidelines to maintain its quality and beautiful aesthetics. Deep clean once a week with an approved cleanser and a soft cloth or sponge rather than an occasional aggressive single cleaning.

Water quality can also affect your Dawn® sink making it appear dull or stained. Lime scale is notorious for absorbing liquids like coffee, tea, and wine making the stained or tinged look. To remove lime scale build up on your Dawn® sink, use a lime scale cleaning agent, such as CLR®. You can also soak the sink in 1 part white vinegar and 3 parts water to help loosen problematic areas making it much easier to sponge away debris. Make sure to use a non-abrasive pad/sponge with a ceramic cleaner.

### Do's and Don'ts

- Clean regularly with hot water and a mild detergent solution applied with a soft cloth or sponge to remove deposits.
- Rinse thoroughly and towel dry after every use to prevent water spots and mineral deposits.
- Drying your sink after each use will help prevent water spots and lime scale.
- To remove lime scale or water spots, only use cleaners made specifically for that purpose. Apply cleaners to cleaning cloths, pads, or sponges first, and test in a small area; do not apply directly onto the product.
- Do not allow any cleaning product to remain on your sink longer than necessary.
- Do not leave rubber patches, wet sponges, cloths, cleaning pads, or dishpans in the sink.
- Do not use coarse abrasive powders and metallic scourers, such as steel wool or brushes with metal bristles.
- Do not allow liquid soap or other cleansers to dry on the surface of the sink.
- Do not use detergents or soaps that contain acid or that are not dissolvable.

---

## WARRANTY

---

All Dawn® products carry limited lifetime warranty unless otherwise noted. Dawn® products have been manufactured and tested to the highest quality standards by Dawn Kitchen & Bath Products, Inc. (“Dawn®”). Dawn® warranties are limited to Dawn® products purchased and installed in the United States.

### **Limited Lifetime Warranty**

Dawn® warranties all of its products to be free from manufacturing defects in material and workmanship during normal residential use for as long as the original purchaser owns his or her home. This warranty only extends to the original consumer and this warranty is non-transferable. If any defect is found in normal residential use, Dawn® will, at its own election, repair, provide a replacement part of product, or make appropriate adjustment at no charge (excluding labor charges and other incidental or consequential costs). Damage to a product caused by accident, misuse, or abuse is NOT covered by this warranty. Improper care and cleaning will void the warranty. If Dawn® is unable to provide a replacement and repair cannot be made, Dawn® may elect to refund the purchase price to the original consumer purchaser in exchange for the return of the product. (IMPORTANT: The original consumer/purchaser should be responsible for inspecting products upon receipt. Any defective product should be reported immediately and should NOT be installed.)

### **One-Year Limited Warranty**

Dawn® sinks, vanities, as well as kitchen and bath accessories are warranted to be free of defects in material and workmanship for one year from date of purchase. Dawn® will, at its own election, repair, replace or make appropriate adjustment where Dawn® inspection discloses any such defects occurring in normal usage within one (1) year after purchase. Dawn® is not responsible for removal or installation costs. This warranty voids if the product has been moved from its original installation location. Defective parts or products will be replaced on availability basis. Dawn® warranty does not apply to any local building codes. It is the customer’s responsibility to comply with all local plumbing codes before installation.

Dawn® vanities are made from natural raw materials. Grain and color differences among wood, plant species, stone, and minerals occur naturally and are not considered a defect. All wood darkens with age, which is considered a natural feature and not a defect. If a replacement part is needed, exact color or grain match cannot be guaranteed. Exposure to direct sunlight may cause color variation and/or surface damage and will not be covered under warranty. Tempered glass may have a green tint which is a result of the tempering process and is not considered a defect. Color variation in stone is also a natural occurrence, and therefore new or replacement pieces may not match store display samples.

### **DAWN® WARRANTIES DO NOT COVER, AND DAWN® DISCLAIMS ANY LIABILITY FOR:**

- Conditions or damage NOT resulting from defects in material or workmanship.
- Conditions or damage resulting from:
  - Normal wear and tear, improper installation or maintenance, misuse, abuse, negligence, accident, moving (tipping) or alteration, scratches or handling damages.
  - Use of abrasive cleaning products or the use of the product in any manner contrary to the product instructions.
  - Conditions in the home such as excessive water pressure, water quality or corrosion.
- Labor, shipping or other costs for removal, installation, replacement or return of product for warranty service.
- Parts, accessories, connected materials or related products that are not manufactured by Dawn®.
- Imperfections such as checks (small surface splits), pitch pockets (small dark holes), grain or darker mineral streaks are natural and are not considered defects.
- An invoice number will be required for proof of purchase

Dawn® reserves the right to inspect any Dawn® product reported to be defective prior to any repair or replacement. Repair and replacement costs EXCLUDE shipping, labor, and consequential expenses. To obtain warranty service contact Dawn® either through your Dealer, Plumbing Contractor, Home Center or E-retailer, or by contacting Dawn® at the contact information listed at the very top. Proof of purchase (original sales receipt) and description of problem must be provided with all warranty claims.

---

## RETURN POLICY

---

You may only return new, uninstalled, or unused items sold and fulfilled by Dawn Kitchen & Bath Products, Inc. for a full refund within 30 days of delivery. Items must be returned in its original package. Returns of used items or returns after 30 days of delivery may be accepted with a 15% restocking fee. Dawn will pay for return shipping costs only if the return is a result of our fault. If you receive a faulty product and need to exchange it for the same product, please contact our customer service via phone, fax, or e-mail to request a replacement. If you would like to exchange a product for a different one, please first return the original product to our location at [27688 Industrial Blvd., Hayward, CA 94545](https://www.dawnusa.net) and then place a new order.

### **PARTIAL REFUNDS MAY BE GIVEN TO:**

- Most of the items that are returned after 30 days of delivery
- Any item not returned in the condition it was delivered
- Any item that has obvious signs of use
- A 15% restocking fee will apply to all used items or items returned after 30 days of delivery.

---

## ASKING FOR ASSISTANCE

---

Dawn Customer Service Department  
27688 Industrial Blvd., Hayward, CA 94545  
Toll-Free: 877-DAWN-USA (877-329-6872)  
E-mail: [dp@dawnusa.net](mailto:dp@dawnusa.net) Web: [www.dawnusa.net](http://www.dawnusa.net)