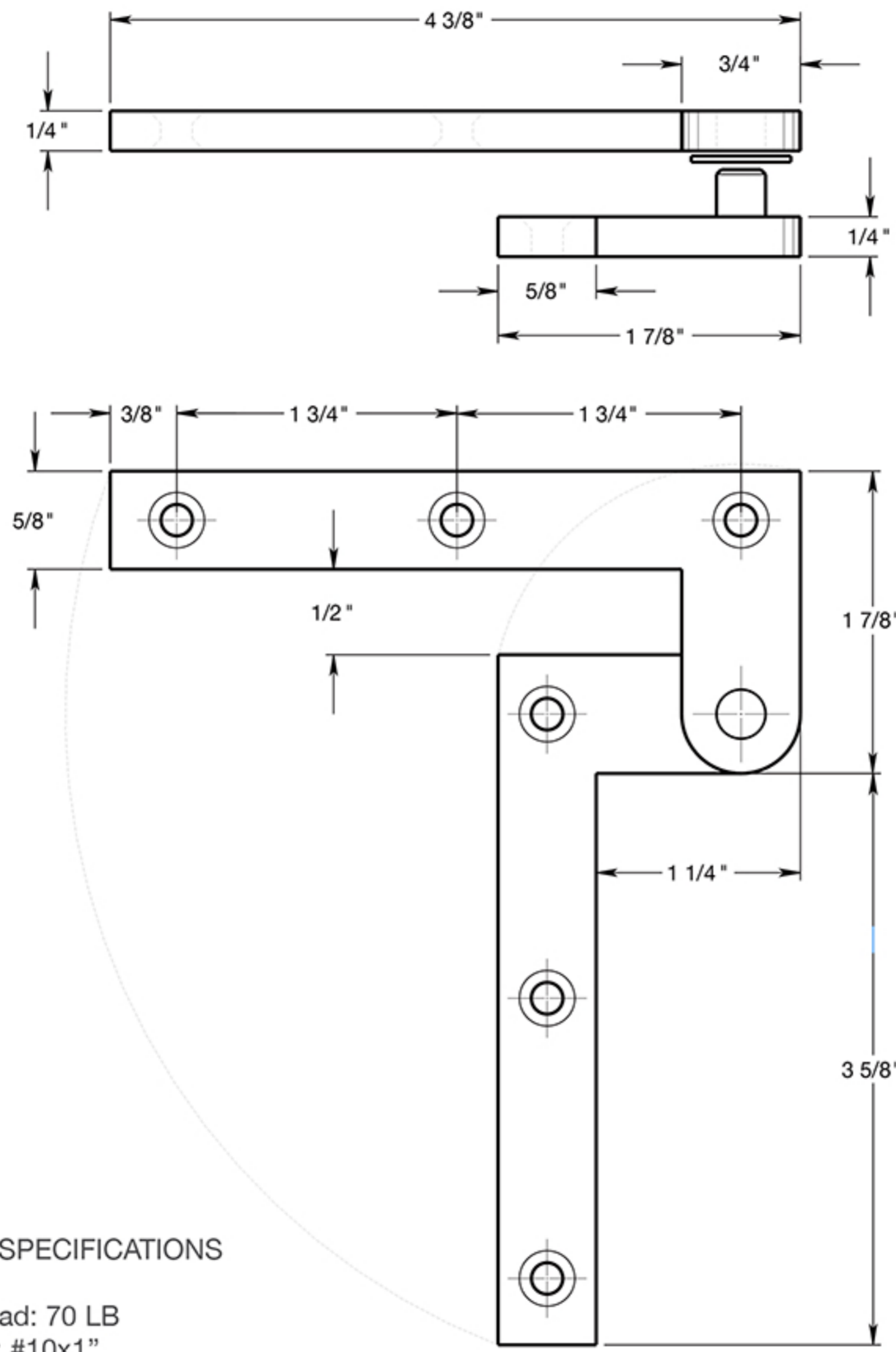


PH40

4-3/8" x 5/8" x 1-7/8" PIVOT HINGE
SOLID BRASS



TECHNICAL SPECIFICATIONS

- Maximum Load: 70 LB
- Wood Screw: #10x1"
- Thickness: 0.250"

DRAWING NOT TO SCALE

NOTE: Deltana reserves the right to constantly improve its products and is not responsible for differences between the product in-hand and the specifications contained in this drawing. We do not recommend to pre-drill holes or pre-cut woods or metals based on the drawing information if the veracity of the specifications has not been proven by the live product.