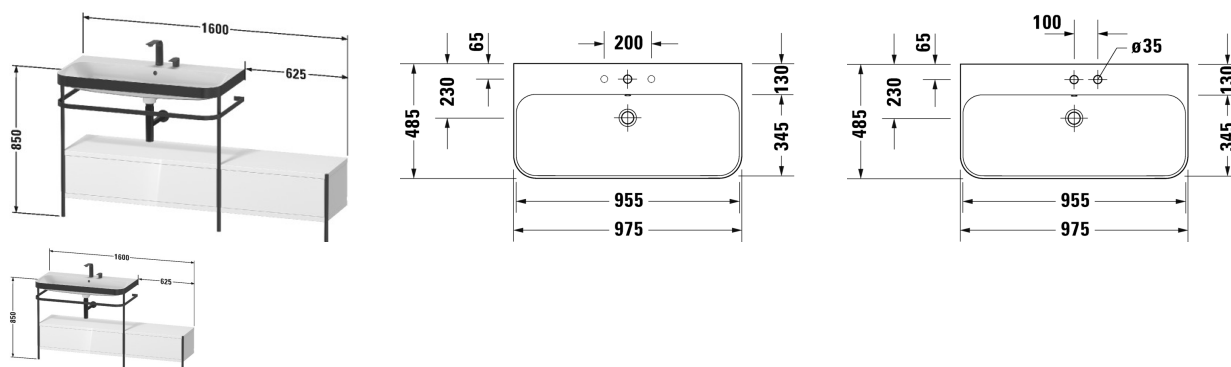


Happy D.2 Plus Furniture washbasin c-bonded with metal console floor-standing # HP4763 E/N/O

|< 1600 mm >|



Furniture washbasin c-bonded with metal console floor-standing	Dimension	Weight	Order number
1 towel rail, 2 drawers, lateral addition on the right, Furniture washbasin Happy D.2 Plus included, with overflow, with tap platform, Acrylic cover below tap platform, Ceramic covered push-open waste included, Metal console with integrated height adjustment			
Colors			
M22 White High Gloss Decor M36 White Satin Matt Lacquer M39 Nordic White Satin Matt Lacquer M60 Taupe Satin Matt Lacquer M69 Brushed Walnut Real wood veneer M71 Mediterranean Oak Real wood veneer M75 Linen Decor M80 Graphit Super Matt M92 Stone Grey Satin Matt Lacquer M97 Light Blue Satin Matt Lacquer M98 Night Blue Satin Matt Lacquer			
Variant			
	1600 x 490 mm		HP4763 E/N/O
Infobox			
Price, please see page XXX, The c-bonded frame is permanently bonded to the washbasin and delivered together with the disassembled metal console in one packaging unit, Washbasin not available in WonderGliss, Ceramic is additionally fixed to the wall, Hanger bolts for fixing are not included in the delivery, follow mounting instruction, Design siphon #005036 is recommended, In combination with the D.1e electronic basin mixer it is only possible to completely cover all components with the acrylic cover on the underside in the version with surface-mounted power supply unit. Exact position of the electric field see mounting instruction. For the version with plug-in power supply unit, the power supply (socket) must be placed outside the acrylic cover., Description of furniture washbasin c-bonded on page XXX, Please specify when ordering:., - tap hole (N = without tap hole: •, O = with one tap hole: p, E = with two tap holes: p p, - Surface of the drawers, - interior system yes / no, - position interior system, - walnut 77 or maple 78, - Seat cushion # HP 9671 yes / no			
Accessory			
Additional modules Interior system in solid wood, for cabinet widths 1600 mm, in both drawers	1600 mm		UV9692 B
Additional modules Interior system in solid wood, for cabinet widths 975 mm, under ceramics	975 mm		UV9691

**Happy D.2 Plus Furniture washbasin c-bonded with metal console
floor-standing # HP4763 E/N/O**

|< 1600 mm >|

Additional modules Interior system in solid wood, for cabinet widths 625 mm, beside ceramics	625 mm	UV9697
Suitable products		
Seat cushion for metal console with lateral addition, 600 x 380 mm	600 x 380 mm	HP9671
Design Siphon * ,		005036

All drawings contain the necessary measurements which are subject to standard tolerances. They are stated in mm and are non-binding. Exact measurements, in particular for customised installation scenarios, can only be taken from the finished piece.