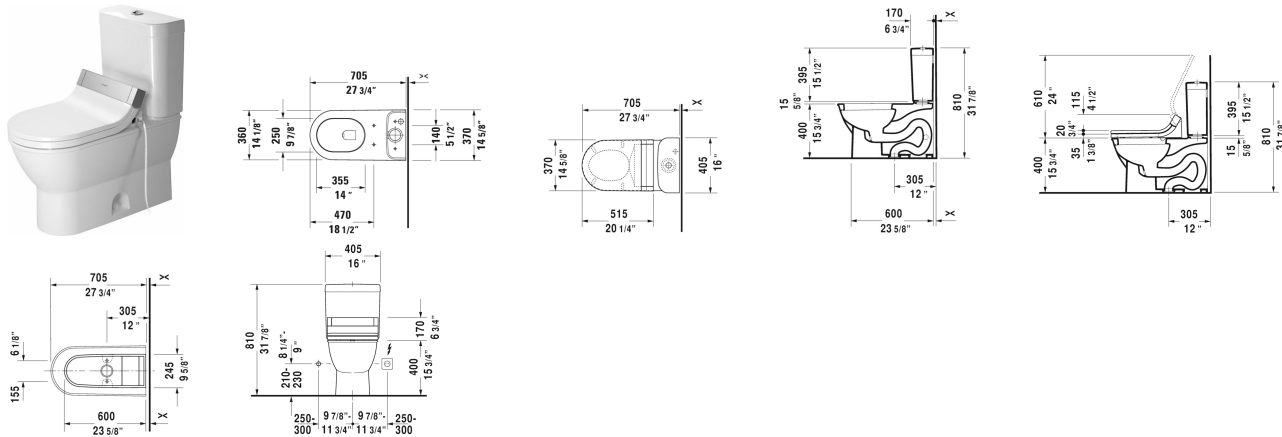


Darling New Toilet kit # D21010..

| < 16" Inch > |



| Toilet kit | Dimension | Weight | Order number |
|--|------------------------|----------|--------------|
| Toilet bowl, Tank & SensoWash® Starck shower-toilet seat | | | |
| Colors | | | |
| Variant | | | |
| | 16" x 27 1/2" Inch | 120.7 lb | D21010.. |
| Suitable products | | | |
| SensoWash® Starck shower-toilet seat for Starck 2, Starck 3 and Darling New* Rear-, Lady- and Comfortwash, individual adjustment of water-, air- and seat surface temperature as well as nozzle position and jet strength, power actuated lid and seat, night light, 2 individually programmable user profiles, remote control included, self-cleaning wand, on / off-button, Quick release: easy seat unit removal and attachment, 14 5/8" x 20 1/4" Inch | 14 5/8" x 20 1/4" Inch | | 610000 |
| Two-Piece toilet (without tank), suitable for SensoWash Starck, syphonic, 12" rough-in, vertical outlet, cUPC® listed*, 1.28 gpf, 14 5/8" x 27 1/2" Inch | 14 5/8" x 27 1/2" Inch | | 212601 |
| Tank with single flush piston valve, top flush, bottom left supply, cUPC® listed*, 1.28 gpf, 16" x 6 7/8" Inch | 16" x 6 7/8" Inch | | 093120 |

All drawings contain the necessary measurements which are subject to standard tolerances. They are stated in inch & mm and are non-binding. Exact measurements, in particular for customized installation scenarios, can only be taken from the finished ceramic piece.