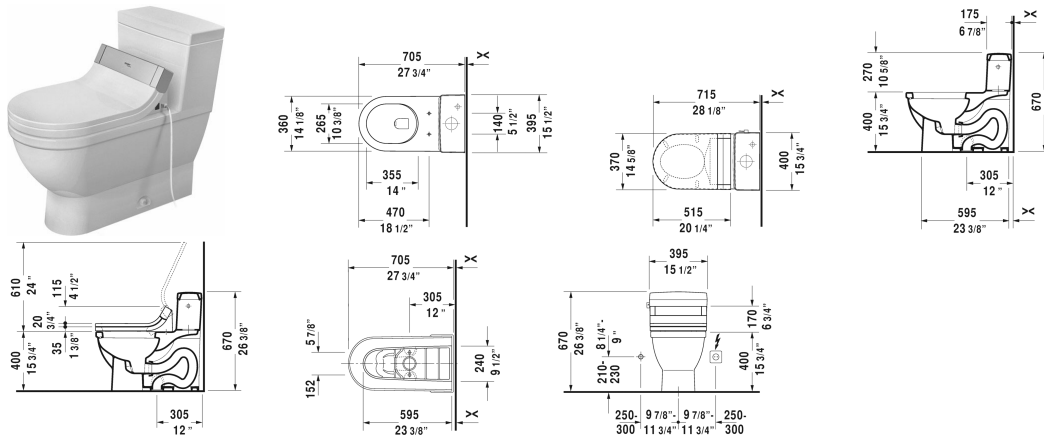


Starck 3 Toilet kit # D1910100

< 14 5/8" Inch >



Toilet kit	Dimension	Weight	Order number
One-Piece toilet & SensoWash® Starck shower-toilet seat			
Colors			
00 White			
Variant			
	14 5/8" x 28 1/8" Inch	127.5 lb	D1910100
Suitable products			
SensoWash® Starck shower-toilet seat for Starck 2, Starck 3 and Darling New* Rear-, Lady- and Comfortwash, individual adjustment of water-, air- and seat surface temperature as well as nozzle position and jet strength, power actuated lid and seat, night light, 2 individually programmable user profiles, remote control included, self-cleaning wand, on / off-button, Quick release: easy seat unit removal and attachment, 14 5/8" x 20 1/4" Inch	14 5/8" x 20 1/4" Inch		610000
One-Piece toilet suitable for SensoWash Starck, syphonic, 12" rough-in, with single flush mechanism, with side lever, 3" flapper valve, vertical outlet, cUPC® listed*, 1.28 gpf, 14 5/8" x 28 1/8" Inch	14 5/8" x 28 1/8" Inch		212001

All drawings contain the necessary measurements which are subject to standard tolerances. They are stated in inch & mm and are non-binding. Exact measurements, in particular for customized installation scenarios, can only be taken from the finished ceramic piece.