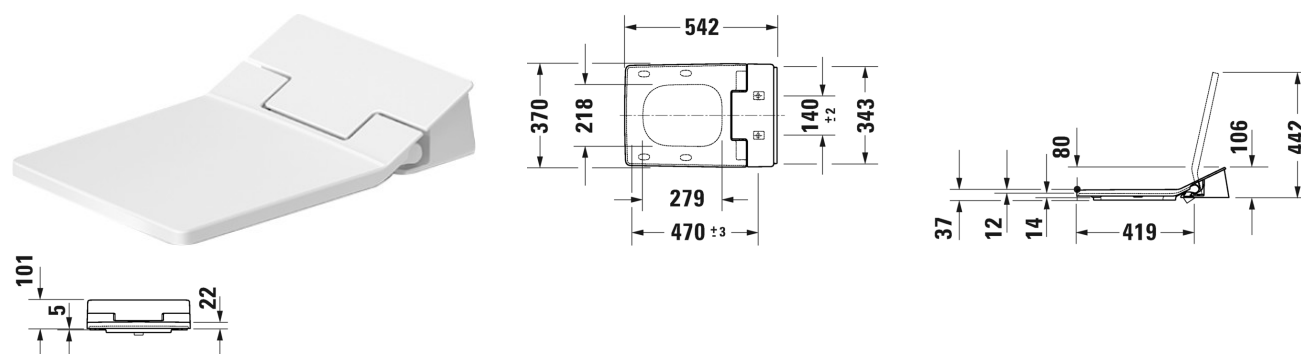


**SensoWash® Slim SensoWash® Slim shower toilet seat for Viu\***  
 # 611600001001300 / 611600002000300 / 611600002304300

| < 370 mm > |



SensoWash® Slim shower toilet seat for Viu*	Dimension	Weight	Order number
Rear-, Lady- and Comfortwash, Individual adjustment of water temperature as well as spray wand position and water spray intensity, with soft closure, Night light, Remote control included, Locking function via remote control, Self-cleaning spray wand, on / off-button, with concealed connections, Seat and lid easy removable one-handed, Automatic drainage in periods of prologed disuse			
<b>Colors</b>			
00 White Alpin			
<b>Variant</b>			
100-120V 50/60Hz, **	370 x 542 mm	5.500 kilogram	611600001001300
220-240V 50/60Hz, **	370 x 542 mm	5.500 kilogram	611600002000300
220-240V 50/60Hz, Protection device according EN 1717 integrated, Descaling function and taps inclusive	370 x 542 mm	5.500 kilogram	611600002304300
<b>Infobox</b>			
Further details see <a href="http://www.duravit.com/sensowash">www.duravit.com/sensowash</a> , Install a water softener with water hardness $\geq 2.4$ mmol/l ( $\geq 14^\circ$ dH or $24^\circ$ fH)., Complies with following standards: ASME A112.4.2-2015/CSA B45.16-15, UL 1431, CSA C22.2 No. 68-14 and CSA C22.2 No. 64-14, Install a water water softener with water hardness $\geq 2.4$ mmol/l ( $\geq 14^\circ$ dH and/or $24^\circ$ fH)			
<b>Suitable products</b>			
Toilet wall mounted Duravit Rimless for SensoWash® rimless, washdown model, Durafix included, only in combination with SensoWash, connecting elements for SensoWash with concealed connections included, UWL class 1, 370 x 570 mm	370 x 570 mm		251159

**SensoWash® Slim SensoWash® Slim shower toilet seat for Viu\***  
 # 611600001001300 / 611600002000300 / 611600002304300

|< 370 mm >|

Toilet frame, standard for drywall construction, self-supporting, suitable for panelling with plasterboards, powder-coated frame, for WC ceramics with a projection of <= 625 mm, adjustable feet 0–240 mm, SensoWash ready, mechanical front actuation, flattenings for optimal access of press tools, metre tear and center marker, tool-free assembly of the transparent service opening plate, Requirements of the leading standards of noise protection DIN 4109 and VDI 4100 can be achieved (in combination with noise reduction set # WD6015 000 000), Cistern, concealed cistern CE tested in accordance with EN 14055, maximum flush volume 9l, marking of filling height, Dual flush technology, adjustable flush volume, insulated against condensation, throttle for adjustment of the flushing flow, Scope of delivery, PE-wall-mounted toilet connection bend DN 90/90, PE-wall-mounted toilet connection set DN 90, wall-mounted toilet fastening set M12, mounting accessoires for lightweight construction, mounting accessoires for single installation, PE-wall-mounted toilet reduction DN 90/110 for outlet bend, 2 cover caps, pre-installed toilet frame for wall-mounted toilet, 500 x 1148 mm

500 x 1148 mm

WD1011

*All drawings contain the necessary measurements which are subject to standard tolerances. They are stated in mm and are non-binding. Exact measurements, in particular for customised installation scenarios, can only be taken from the finished piece.*