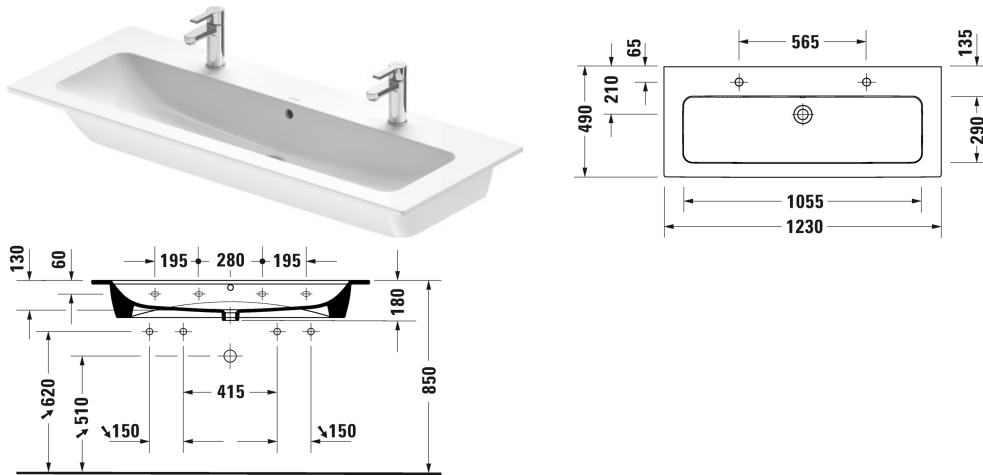


ME by Starck Washbasin, furniture washbasin # 236112..24 / 236112..24

|< 1230 mm >|



Washbasin, furniture washbasin	Dimension	Weight	Order number
with overflow, with tap platform, fixings included, fixings included, wall-mounted, wall-mounted, 1230 mm			
Colors			
00 White Alpin 32 White Satin Matt			
Variant			
● _ _ ●	1230 x 490 mm	33.400 kilogram	236112..24
● _ _ ●	1230 x 490 mm	33.400 kilogram	236112..24
Infobox			
recommendation of furniture see from page xxx, Washbasin is not ADA compliant in conjunction with pedestal, siphon cover or metal console			
Sanitary ceramics with the special WonderGliss surface finish will remain clean and attractive-looking for a long time to come. When ordering WonderGliss please add a "1" as eleventh digit to the model number.			
Accessory			
Space saving siphon 31,75 mm	1 1/4" mm	0.400 kilogram	005076
Suitable products			
Vanity unit wall-mounted 1 pull-out compartment, for ME by Starck # 233612, 236112, 1220 x 481 mm	1220 x 481 mm		LC6143
Vanity unit wall-mounted 2 drawers, upper drawer including cut-out for siphon and siphon cover, for ME by Starck # 233612, 236112, 1220 x 481 mm			LC6243

ME by Starck Washbasin, furniture washbasin # 236112..24 /
236112..24

|< 1230 mm >|

Vanity unit floor-standing 2 pull-out compartments, upper pull-out compartment including cut-out for siphon and siphon cover, for ME by Starck # 233612, 236112, 1220 x 481 mm	1220 x 481 mm	LC6628
Pedestal for # 233565, 233560, 233555, 233613, 233612, 233610, 233683, 233663, 236112, 233653, 175 x 210 mm	175 x 210 mm	085839
Siphon cover fixings included, for # 233565, 233560, 233555, 233613, 233612, 233610, 233683, 233663, 236112, 233653, 170 x 300 mm	170 x 300 mm	085840
Vanity unit wall-mounted 2 drawers, upper drawer including cut-out for siphon and siphon cover, for ME by Starck # 233612, 236112, 1200 x 475 mm	1200 x 475 mm	KT6431
Vanity unit wall-mounted 1 pull-out compartment, for ME by Starck # 233612, 236112, 1220 x 479 mm	1220 x 479 mm	BR4004
Vanity unit wall-mounted 2 drawers, upper drawer including cut-out for siphon and siphon cover, for ME by Starck # 233612, 236112, 1220 x 479 mm	1220 x 479 mm	BR4104
Vanity unit floor-standing 2 pull-out compartments, upper pull-out compartment including cut-out for siphon and siphon cover, for ME by Starck # 233612, 236112, 1220 x 479 mm	1220 x 479 mm	BR4404
Vanity unit wall-mounted 1 pull-out compartment, for ME by Starck # 233612, 236112, 1210 x 478 mm	1210 x 478 mm	XS4074
Vanity unit wall-mounted 2 drawers, upper drawer including cut-out for siphon and siphon cover, for ME by Starck # 233612, 236112, 1210 x 478 mm	1210 x 478 mm	XS4174
Vanity unit floor-standing 2 pull-out compartments, upper pull-out compartment including cut-out for siphon and siphon cover, integrated base frame legs with height adjustment, for ME by Starck # 233612, 236112, 1210 x 478 mm	1210 x 478 mm	XS4448
Vanity unit wall-mounted 1 pull-out compartment, for ME by Starck # 233612, 236112, 1200 x 475 mm	1200 x 475 mm	XB6033
Vanity unit wall-mounted 2 drawers, upper drawer including cut-out for siphon and siphon cover, for ME by Starck # 233612, 236112, 1200 x 475 mm	1200 x 475 mm	XB6123
Vanity unit wall-mounted 1 pull-out compartment, for ME by Starck # 233612, 236112, 1210 x 480 mm	1210 x 480 mm	XV4028
Vanity unit wall-mounted 2 drawers, upper drawer including cut-out for siphon and siphon cover, for ME by Starck # 233612, 236112, 1210 x 480 mm	1210 x 480 mm	XV4128
Vanity unit floor-standing 2 pull-out compartments, upper pull-out compartment including cut-out for siphon and siphon cover, for ME by Starck # 233612, 236112, 1210 x 480 mm	1210 x 480 mm	XV4484
Vanity unit wall-mounted 1 pull-out compartment, for ME by Starck # 233612, 236112, 1210 x 462 mm	1210 x 462 mm	DE4264
Vanity unit wall-mounted 1 drawer, 1 pull-out compartment, upper drawer including cut-out for siphon and siphon cover, for ME by Starck # 233612, 236112, 1210 x 462 mm	1210 x 462 mm	DE4364

All drawings contain the necessary measurements which are subject to standard tolerances. They are stated in mm and are non-binding. Exact measurements, in particular for customised installation scenarios, can only be taken from the finished piece.