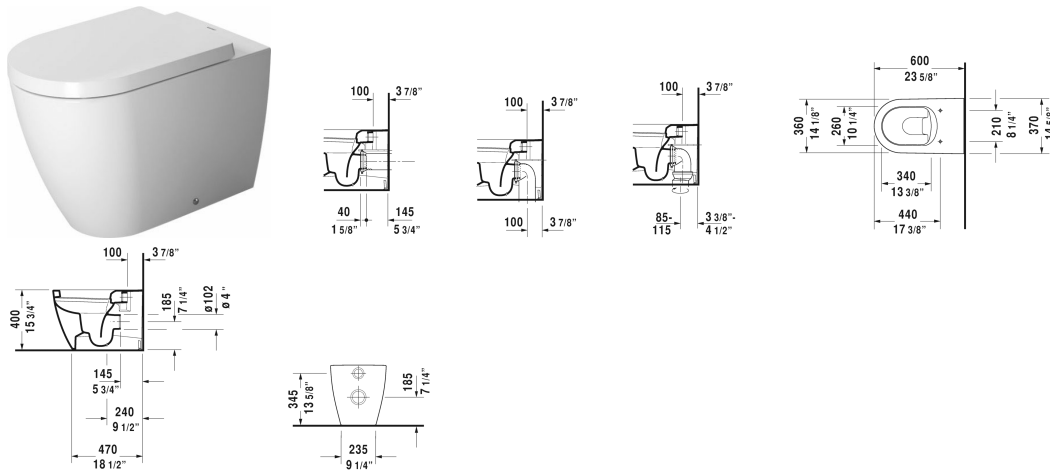


ME by Starck Toilet floorstanding # 216909..92 / 216909..92 / 216909..92 / 216909..92

| < 14 5/8" Inch > |



Toilet floorstanding	Dimension	Weight	Order number
back-to-wall, washdown model, hardware included, horizontal outlet, cUPC® listed*			
Colors			
00 White 20 HygieneGlaze (an antibacterial ceramic glaze that provides almost indefinite effectiveness) 26 White/White Satin Matte 90 White HygieneGlaze/White Satin Matte			
Variant			
♣ inside color White, outside color White, 1.28/0.8 gpf	14 5/8" x 23 5/8" Inch	63.9 lb	216909..92
♣ inside color White, outside color White, 1.28/0.8 gpf	14 5/8" x 23 5/8" Inch	63.9 lb	216909..92
♣ inside color White, outside color White Satin Matte, 1.28/0.8 gpf	14 5/8" x 23 5/8" Inch	63.9 lb	216909..92
♣ inside color White, outside color White Satin Matte, 1.28/0.8 gpf	14 5/8" x 23 5/8" Inch	63.9 lb	216909..92
Infobox			
* Complies with following standards: ASME A112.19.2/CSA B45.1 and ASME A112.19.14, In-wall tank and actuator plate are required for installation / Refer to page XXX			
Sanitary ceramics with the special WonderGliss surface finish will remain clean and attractive-looking for a long time to come. When ordering WonderGliss please add a "1" as eleventh digit to the model number.			
Accessory for ceramics			
Toilet seat and cover removable, hinges stainless steel, with slow close		4.6 lb	002009
Toilet seat and cover hinges stainless steel, without slow close		4.6 lb	002001

**ME by Starck Toilet floorstanding # 216909..92 / 216909..92 /
216909..92 / 216909..92**

|< 14 5/8" Inch >|

Vario connector set incl. offset	Ø 4 3/8" Inch	3.3 lb	001422
----------------------------------	---------------	--------	--------

All drawings contain the necessary measurements which are subject to standard tolerances. They are stated in inch & mm and are non-binding. Exact measurements, in particular for customized installation scenarios, can only be taken from the finished ceramic piece.