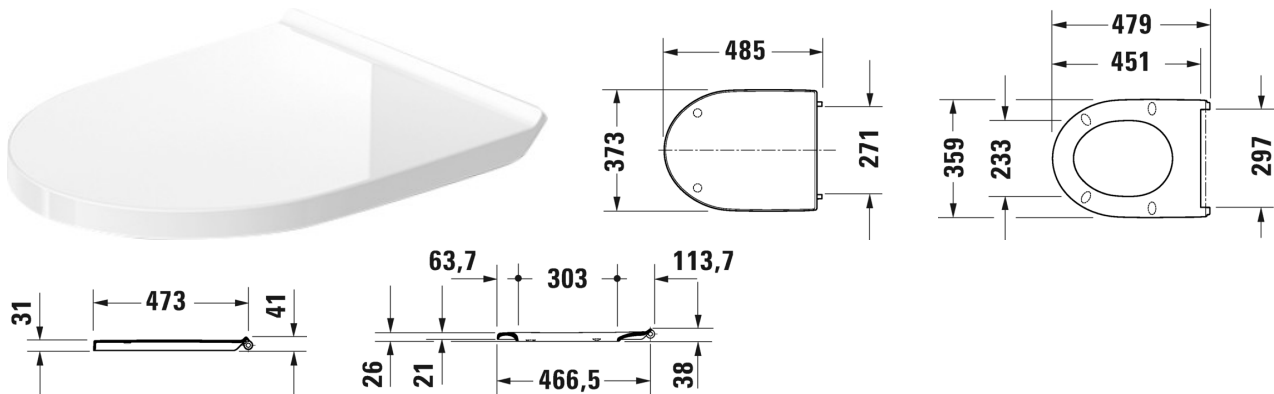


## DuraStyle Basic Toilet seat and cover # 0025290000



Toilet seat and cover	Dimension	Weight	Order number
removable, elongated, hinges stainless steel, with soft closure			
<b>Colors</b>			
00 White Alpin			
<b>Variant</b>			
		2.000 kilogram	0025290000
<b>Suitable products</b>			
One-piece toilet Duravit Rimless® rimless, US-version, elongated with syphonic jet action, 305 mm/12" rough-in, 305 mm (12") rough-in, vertical outlet, with dual flush piston valve, top flush, 1,32/0,92 gpf (5/3,5 lpf), cUPC® listed*, 365 x 715 mm	365 x 715 mm		219601
One-piece toilet Duravit Rimless® rimless, US-version, elongated with syphonic jet action, 305 mm/12" rough-in, 305 mm (12") rough-in, vertical outlet, 1,28 gpf (4,8 lpf), cUPC® listed*, 365 x 715 mm	365 x 715 mm		219501
Two-piece toilet Duravit Rimless® (without cistern), US-version, elongated with syphonic jet action, 305 mm/12" rough-in, 305 mm (12") rough-in, vertical outlet, cUPC® listed*, 365 x 705 mm	365 x 705 mm		218801
Cistern for bottom left supply, 1,28 gpf (4,8 lpf), 385 x 170 mm	385 x 170 mm		094150

All drawings contain the necessary measurements which are subject to standard tolerances. They are stated in mm and are non-binding. Exact measurements, in particular for customised installation scenarios, can only be taken from the finished piece.