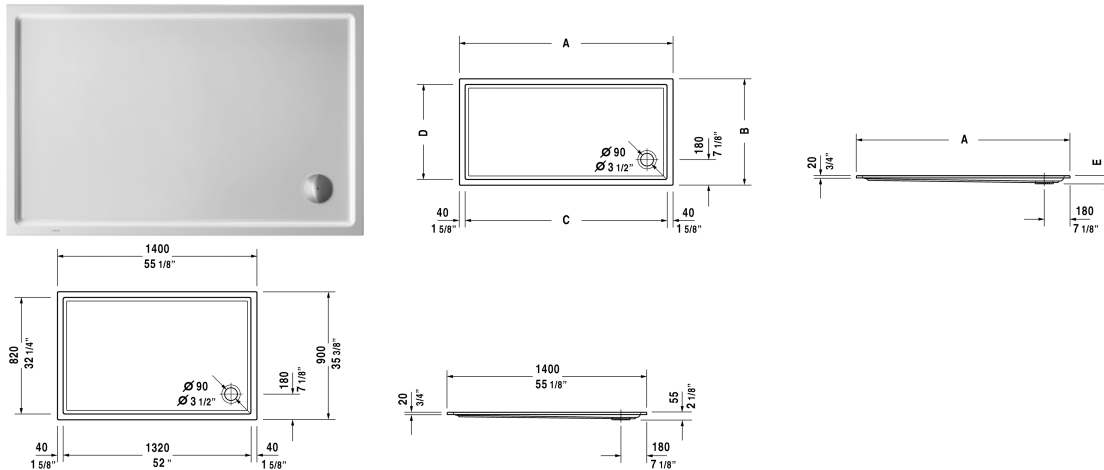


Starck Tubs/Shower trays Shower tray # 720126000000090

| < 55 1/8" Inch > |



Shower tray	Dimension	Weight	Order number
rectangle, Sanitary acrylic, 2 1/8" Inch			
<b>Colors</b>			
00 White			
<b>Variant</b>			
Shower tray	55 1/8" x 35 3/8" Inch	60.7 lb	720126000000090
<b>Infobox</b>	* Complies with the following standards: CSA B45.5/IAPMO Z124, A grid drain or similar should be used in conjunction with a p-trap under the floor. A 4" grid drain is necessary for shower trays with a 3 1/2" (90 mm) outlet.		
<b>Accessory for shower trays</b>			
Tile flange			790112

All drawings contain the necessary measurements which are subject to standard tolerances. They are stated in inch & mm and are non-binding. Exact measurements, in particular for customized installation scenarios, can only be taken from the finished ceramic piece.