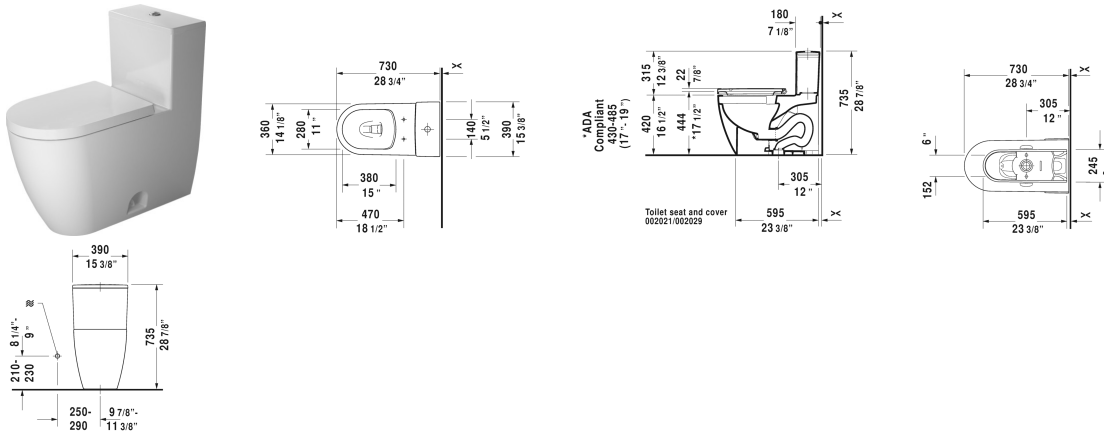


ME by Starck One-Piece toilet Duravit Rimless® # 217301..01 / 217301..85

< 14 1/8" Inch >



One-Piece toilet Duravit Rimless®	Dimension	Weight	Order number
rimless, US-version toilet, syphonic, 12" rough-in, vertical outlet			
Colors			
00 White 20 HygieneGlaze (an antibacterial ceramic glaze that provides almost indefinite effectiveness)			
Variant			
◆ 1.32/0.92 gpf, with dual flush piston valve, top flush	14 1/8" x 28 3/4" Inch	141 lb	217301..01
◆ 1.28 gpf, with Single Flush piston valve, top flush, cUPC listed	14 1/8" x 28 3/4" Inch	141 lb	217301..85
Suitable products			
Toilet seat and cover elongated, hinges stainless steel, without slow close,			002021
Toilet seat and cover removable, elongated, hinges stainless steel, with slow close,			002029

All drawings contain the necessary measurements which are subject to standard tolerances. They are stated in inch & mm and are non-binding. Exact measurements, in particular for customized installation scenarios, can only be taken from the finished ceramic piece.