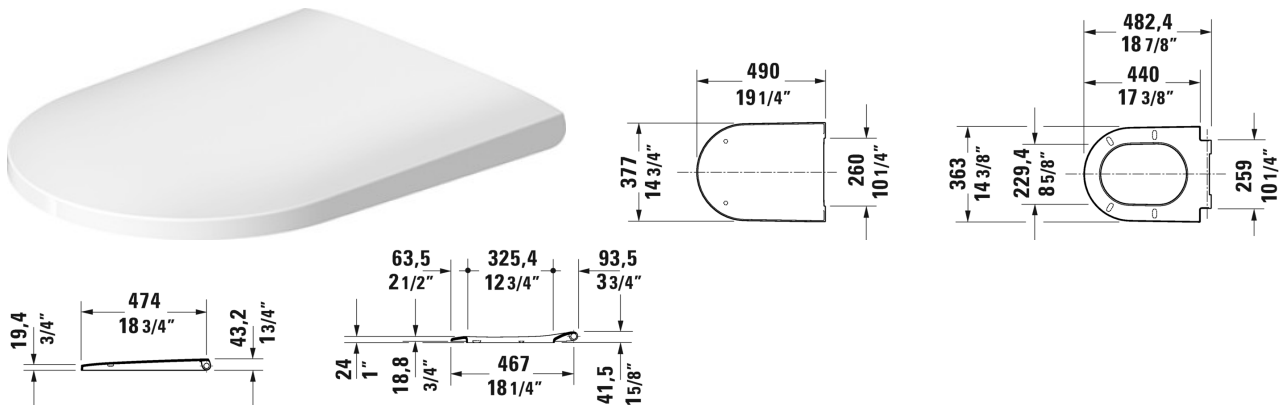


D-Neo Toilet seat and cover # 0026290000



Toilet seat and cover	Dimension	Weight	Order number
removable, hinges stainless steel, with slow close, inside color White, outside color White			
Colors			
00 White			
Variant			
		4 lb	0026290000
Suitable products			
Two-Piece toilet Duravit Rimless® syphonic, 12" rough-in, for vertical outlet, cUPC® listed*, WaterSense® listed, (without tank), 14 3/4" x 27 1/2" Inch	14 3/4" x 27 1/2" Inch		200601
One-Piece toilet Duravit Rimless® rimless, syphonic, 12" rough-in, vertical outlet, with dual flush piston valve, top flush, cUPC® listed*, WaterSense® listed, 1.32/0.92 gpf, 15 1/2" x 28 3/4" Inch	15 1/2" x 28 3/4" Inch		200701
One-Piece toilet Duravit Rimless® rimless, syphonic, 12" rough-in, for vertical outlet, cUPC® listed*, WaterSense® listed, 1.28 gpf, 15 1/2" x 28 3/4" Inch	15 1/2" x 28 3/4" Inch		200801
Toilet kit Toilet bowl & Tank, cUPC® listed*, WaterSense® listed, for vertical outlet, syphonic, 12" rough-in, 1.32/0.92 gpf, with dual flush piston valve, top flush, 15 1/2 x 16 3/4 Inch	15 1/2 x 16 3/4 Inch		D40301
Toilet kit Toilet bowl & Tank, cUPC® listed*, WaterSense® listed, for vertical outlet, syphonic, 12" rough-in, 1.28 gpf, with single flush mechanism with side lever left, 15 1/2 x 16 3/4 Inch	15 1/2 x 16 3/4 Inch		D40302
Toilet kit Toilet bowl & Tank, cUPC® listed*, WaterSense® listed, for vertical outlet, syphonic, 12" rough-in, 1.28 gpf, with single flush mechanism with side lever right, 15 1/2 x 16 3/4 Inch	15 1/2 x 16 3/4 Inch		D40303

All drawings contain the necessary measurements which are subject to standard tolerances. They are stated in inch & mm and are non-

D-Neo Toilet seat and cover # 0026290000

binding. Exact measurements, in particular for customized installation scenarios, can only be taken from the finished ceramic piece.