

高尚卫浴享受
Living bathrooms

德立菲  DURAVIT

SensoWash[®] Slim

安装说明

Mounting instructions

电子坐便器

Shower toilet unit

611000 00 2 10 2300

611200 00 2 10 2300



重要说明

4

Important information

5

zh
en



安装, Installation

6



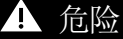
重要说明

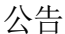
zh

关于安装说明

此安装说明是Duravit坐便器产品的一部分，安装前请仔细阅读。

关键词与符号说明

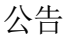
 **危险** 表示如不可避免将会导致死亡或严重伤害的危险情况。

 **公告** 用于表示与身体伤害无关的操作实践。


 请参阅本章节中的安装说明

目标读者和安装人员资格

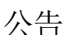
本智能坐便器及相关水管只能由有资质的管道工安装。电气安装只能由有资质的电工进行。

 **公告** 产品和/或性能损害的风险！

- > 请务必遵守所在国家/地区的标准和当地安装规章条例。


 **公告** 水冻结造成的产品损坏风险！

- > 请勿将智能坐便器安装在有霜冻风险的房间中。室内温度不能低于4 °C。

 **公告** 水汽凝结造成的产品损坏危险！

- > 将本体从低温环境移入温度较高的环境时，请将其关闭数小时。

安全说明

 **危险** 致命的触电风险！

请勿拆除独立零部件。

- > 如果电源线损坏，为了避免危险，必须由制造商、其维修部或类似部门的专业人员更换。
- > 器具必须正确接地。
- > 本产品自身不带漏电保护功能，应安装在有漏电保护器的路线中方可使用。
- > 固定布线中必须按布线规则配有触点开距提供在过电压等级III条件下全极断开的装置。
- > 固定布线给电电缆规格为导线标称横截面积 **1-2.5mm² 17-14 AWG**。
- > 确认给电电缆接地端比火线 (L) 和零线 (N) 长**10mm (3/8")**。

安装说明

请在安装前阅读预安装信息表。您可以通过互联网访问www.duravit.cn，下载这些信息表。

1 查看安装要求 (图解 1)

预装智能马桶盖的水电附件的安装已包括在相应的陶瓷马桶安装说明中。

- > 安装本产品前请确认电气接线盒必须已固定在墙上。
- > 请确保水电附件以及陶瓷马桶是按照相关说明和规范安装的。

24 遥控器支架定位 (图解 24)

- > 从步骤27起，使用螺丝固定。
- > 按照说明至步骤26，使用双面胶进行固定，然后继续步骤31。





Important information

Mounting instructions information

These mounting instructions come as part of the Duravit shower toilet and should be read carefully prior to installation.

Explanation of the key words and symbols

 **DANGER** Indicates a hazardous situation which, if not avoided, will result in death or serious injury.

 **NOTICE** Is used to address practices not related to physical injury.


 Link to the **mounting information** in this section

Target readership and qualifications


The shower toilet and associated water connection should only be installed by qualified plumbers. The electrical installation should only be carried out by qualified electricians.

 **NOTICE** **Risk of product and/or property damage!**

- > Observe the local installation regulations and any country-specific standards at all times.


 **NOTICE** **Risk of product damage due to freezing water!**

- > Do not install the shower toilet in rooms at risk of frost. The room temperature must not be less than 4 °C.

 **NOTICE** **Risk of product damage due to condensation!**

- > Leave the unit switched off for a few hours if it has previously been moved from a cold location to a warm location.

Safety instructions

 **DANGER** **Risk of fatal electric shock!**

- > Do NOT remove individual shower toilet components.

- > If the supply cord on this unit is damaged, it must be replaced by the manufacturer, the service agent or similarly qualified persons in order to avoid a hazard.
- > Appliances have to be correctly earthed.
- > The product itself does not have electrical leakage protection function, it must be installed in circuit where there is leakage protection device installed.
- > Means for disconnection must be incorporated in the fixed wiring in accordance with the wiring rules and having a contact separation in all poles that provide full disconnection under overvoltage category III conditions.
- > Wire specification of cable is cross section 1-2.5mm² (17-14 AWG).
- > Confirm that the grounding wire is 10 mm ($\frac{3}{8}$ ") longer than the L and N wire.

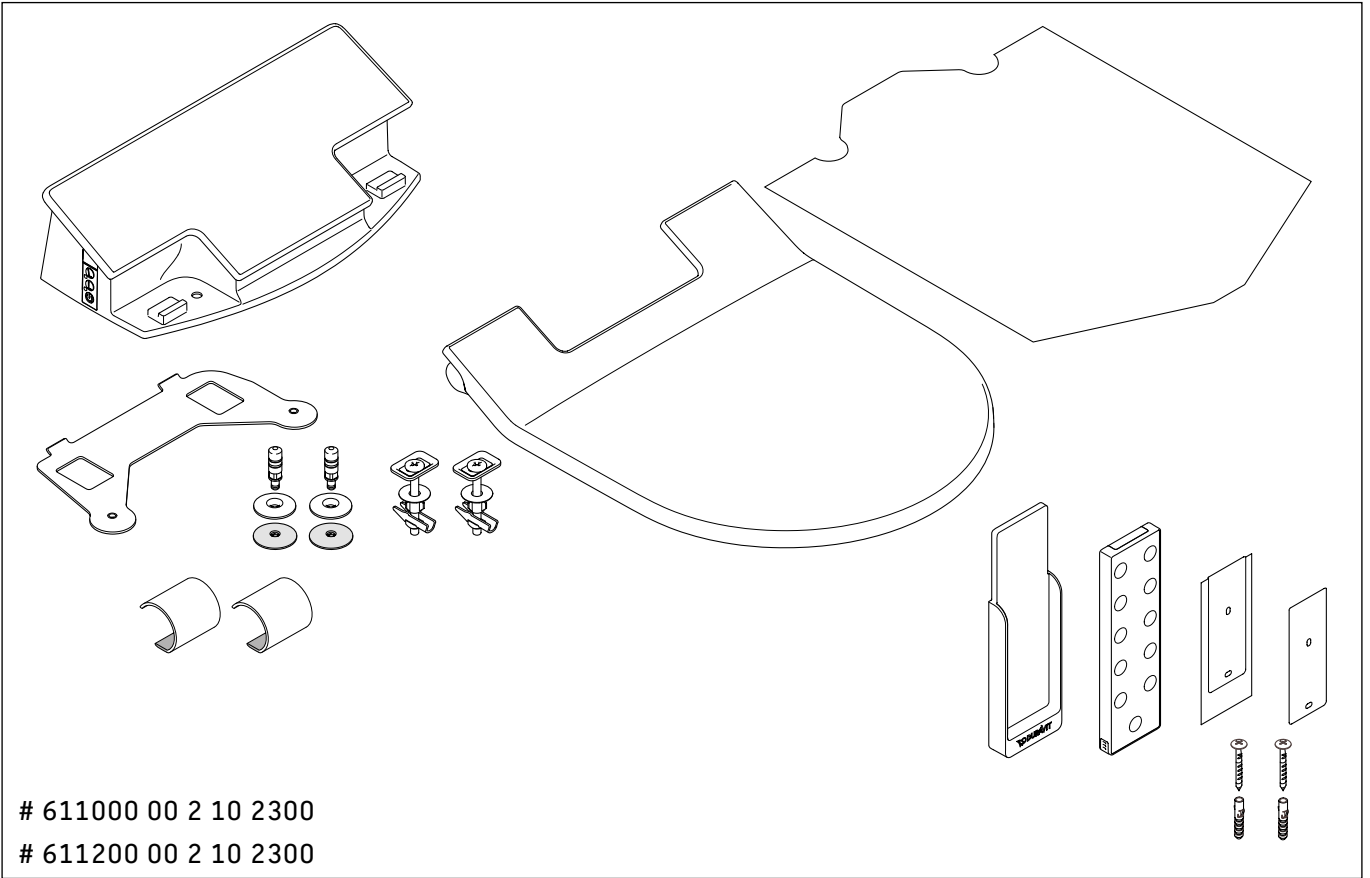
Mounting instructions

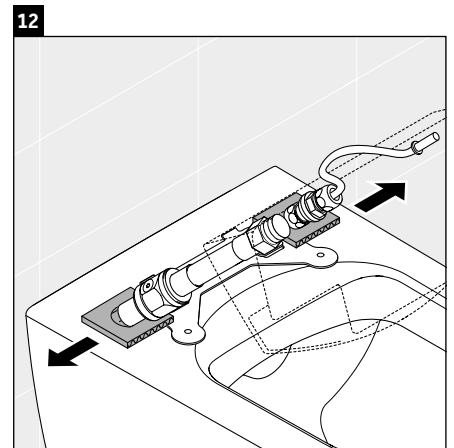
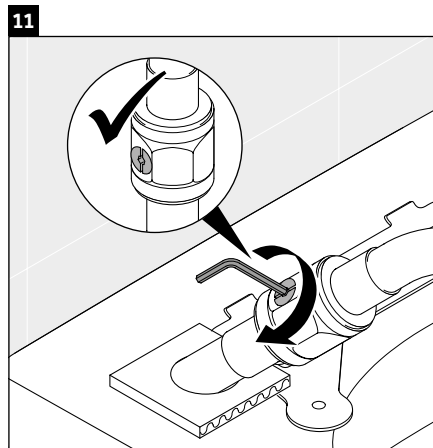
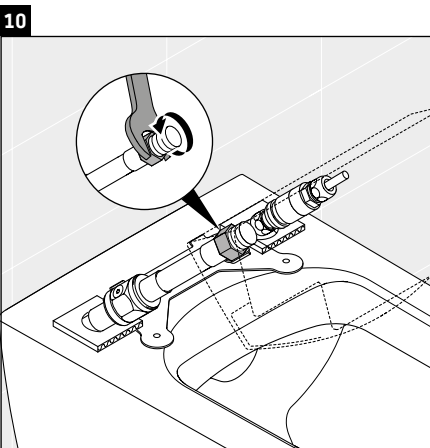
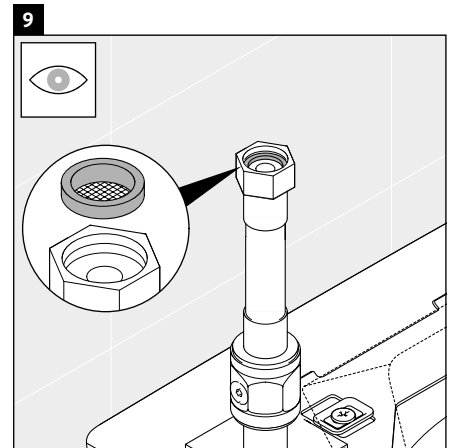
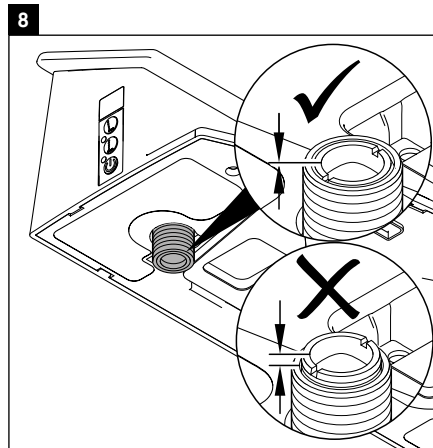
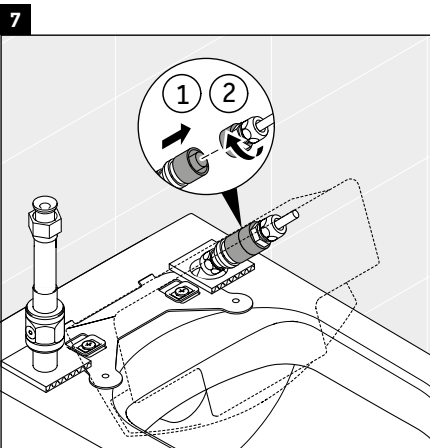
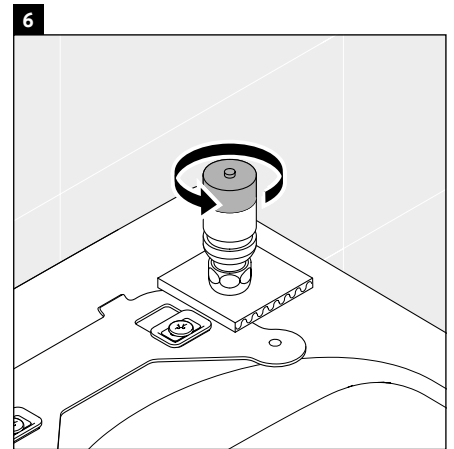
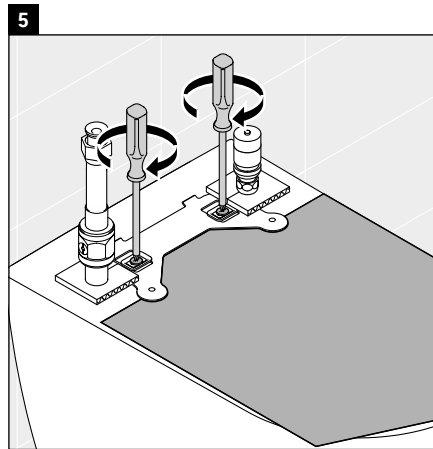
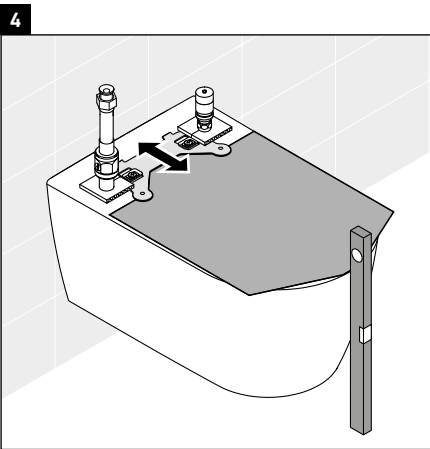
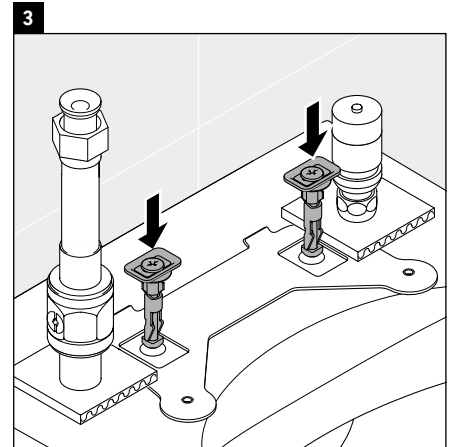
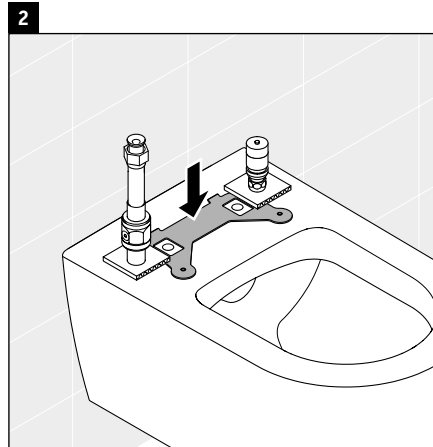
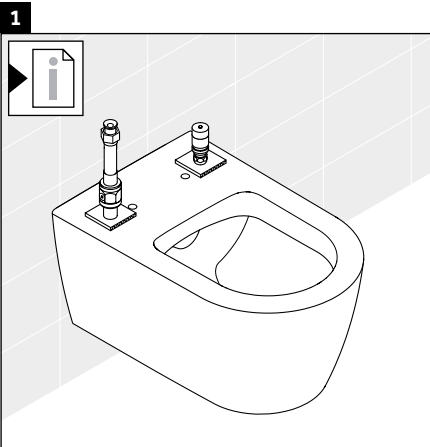
Please read pre-installation information sheets prior to the installation. These are available to download on the Internet at www.duravit.cn.

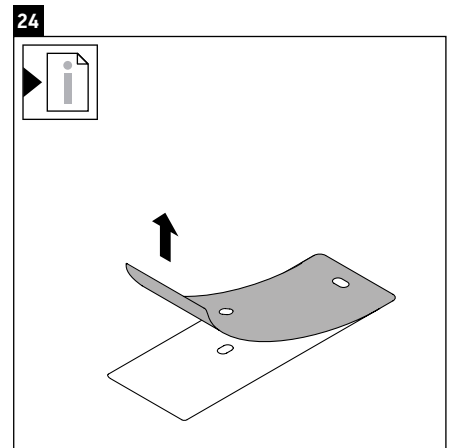
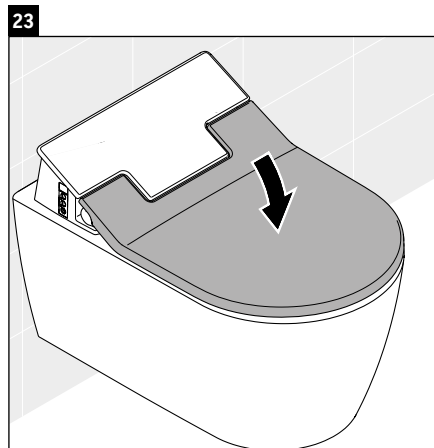
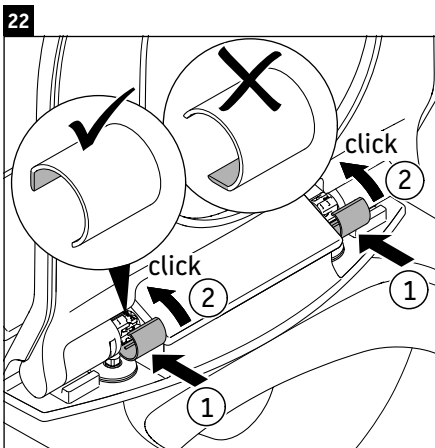
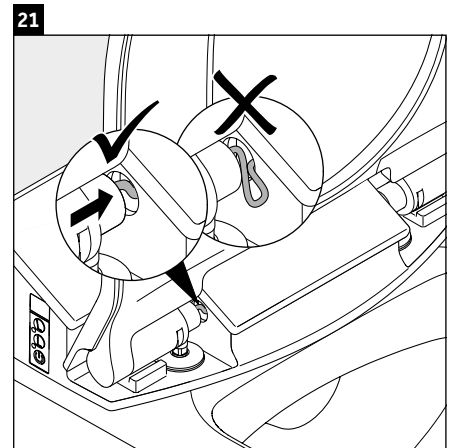
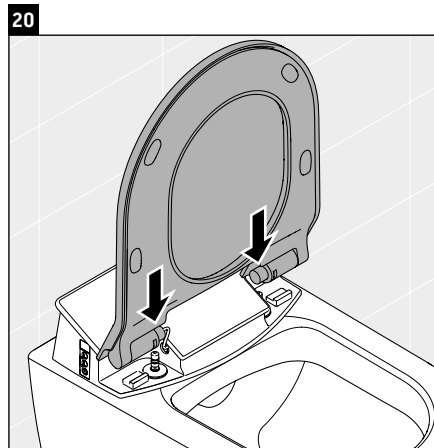
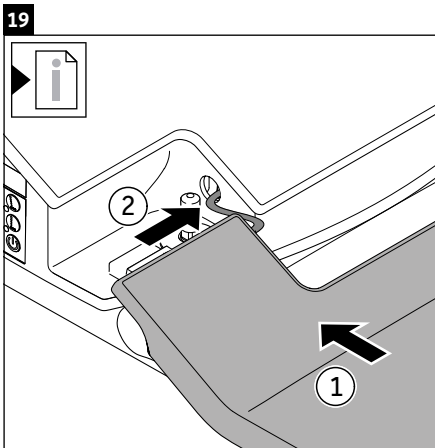
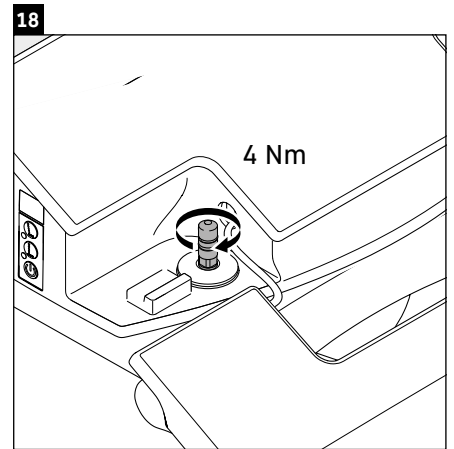
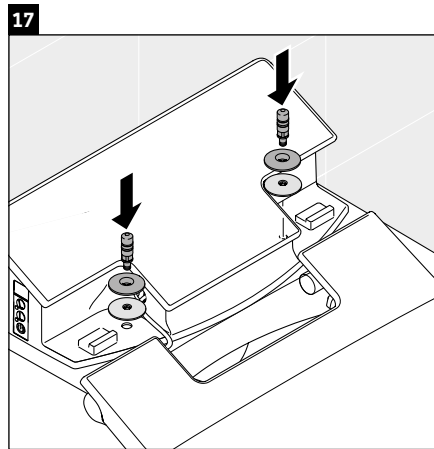
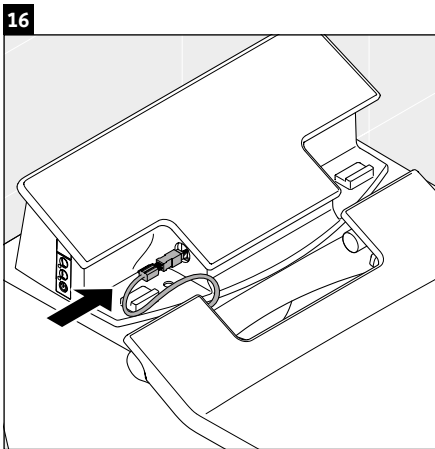
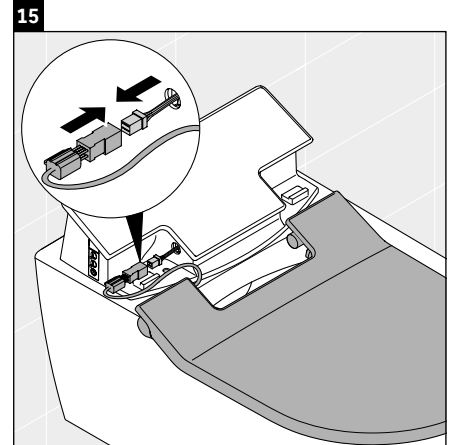
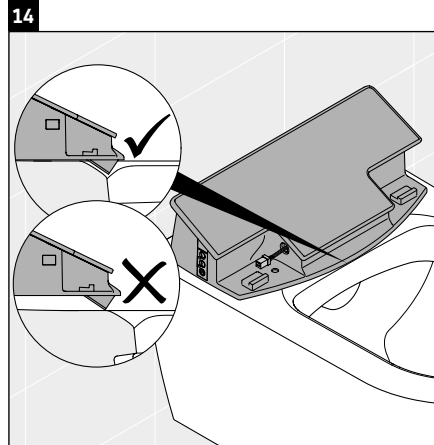
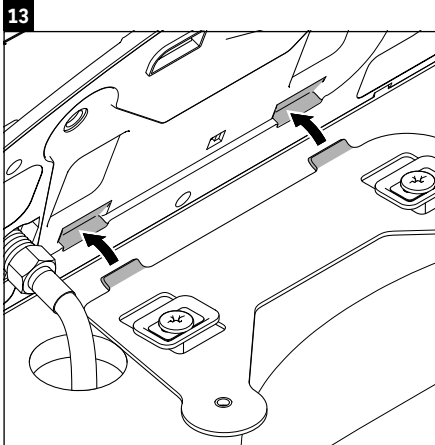
- 1** **Checking the installation requirements**
- The installation of the WC ceramics with pre-installation of the shower toilet water and power supplies is described in separate instructions.
- > Confirm that the electric connection box must be fixed on wall before installation.
 - > Ensure that the supplies and WC ceramics have been installed and mounted according to the instructions and regulations.

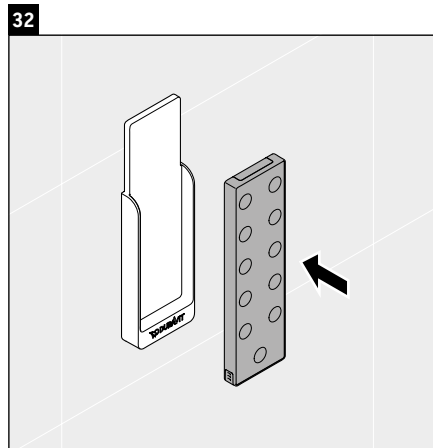
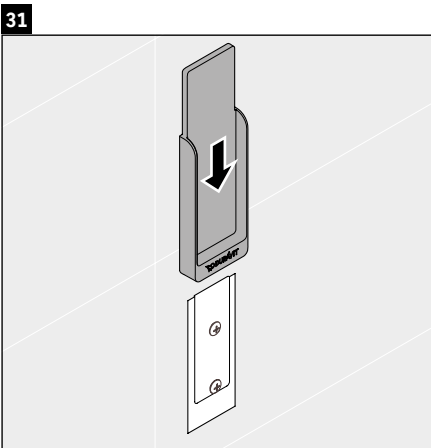
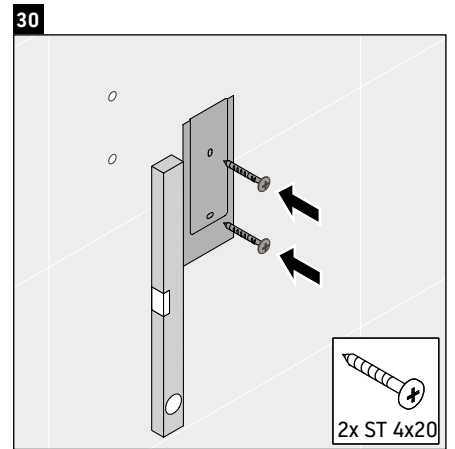
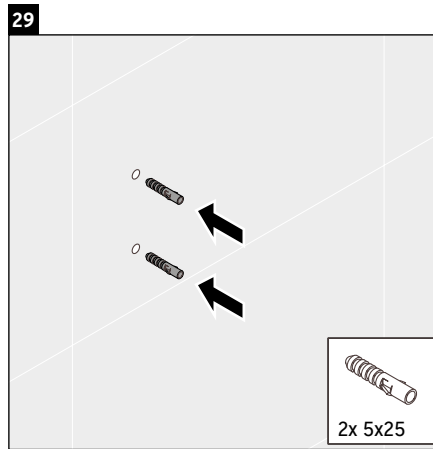
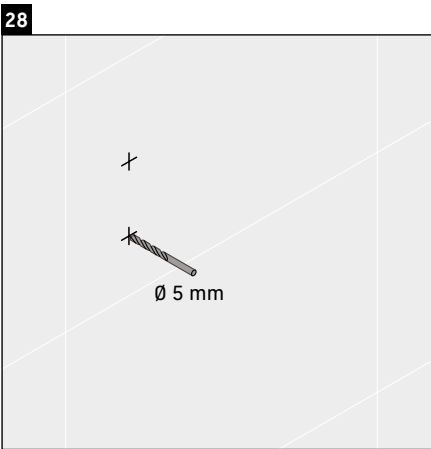
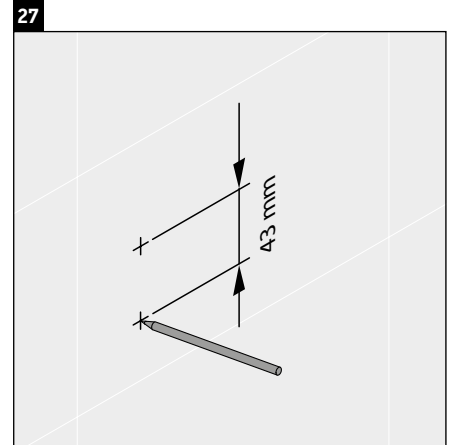
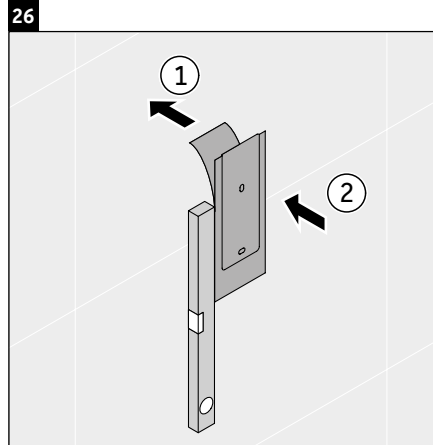
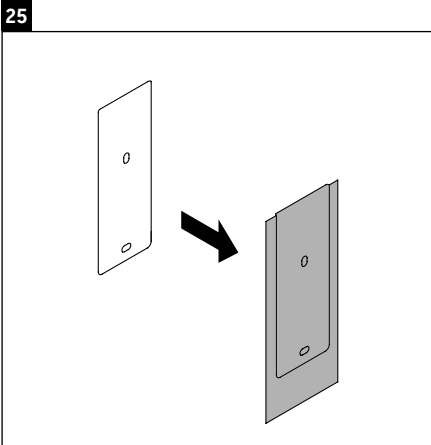
24 **Positioning the metal bracket**

- > Continue with step 27 for screw mounting.
- > Follow the instructions up to step 26 for mounting with adhesive and then continue with step 31.









Duravit AG
P.O. Box 240
Werderstr. 36
78132 Hornberg
Germany
Phone +49 78 33 70 0
Fax +49 78 33 70 289
info@duravit.com
www.duravit.com

杜拉维特（中国）洁具有限公司
重庆市江津区珞璜工业园B区园区大
道88号
客服电话 +86 21 61542410
周一至周五 9:00-12:00; 13:00-17:00
info@cn.duravit.com
www.duravit.cn
www.sensowash.cn
