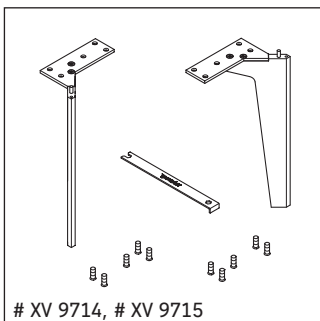
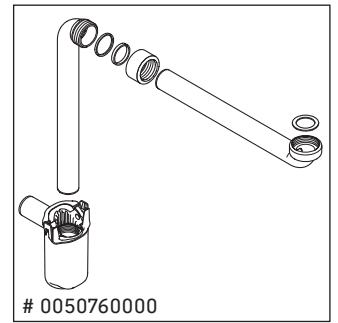
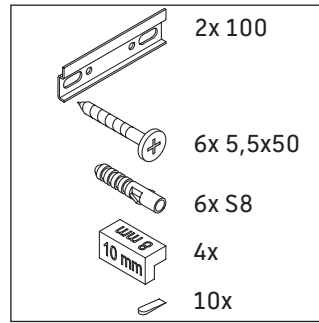
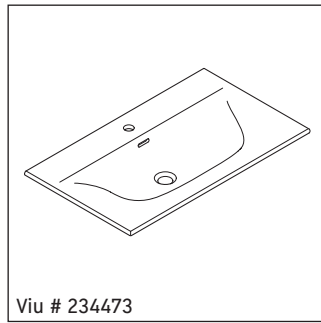
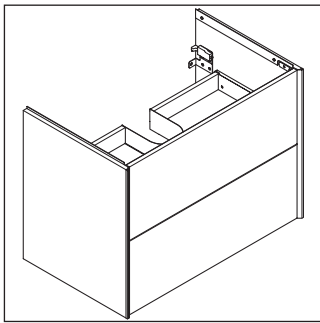
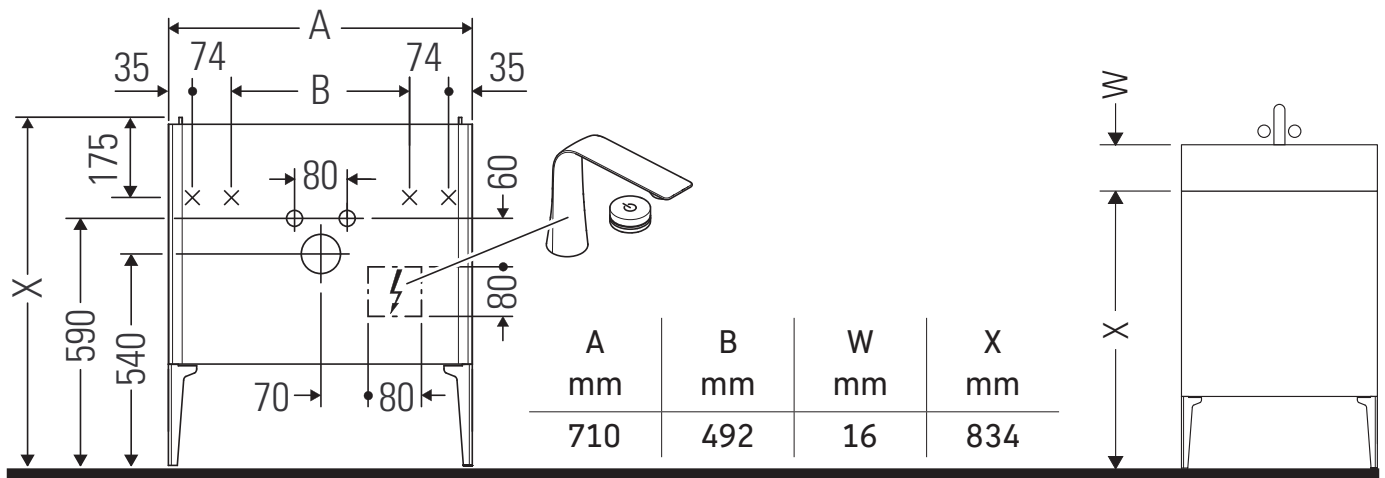


XViu

XV 4301

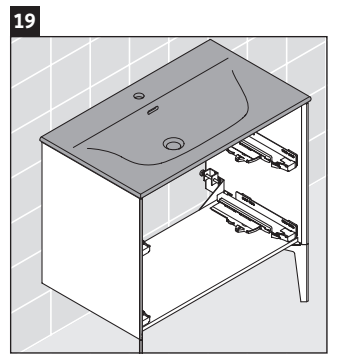
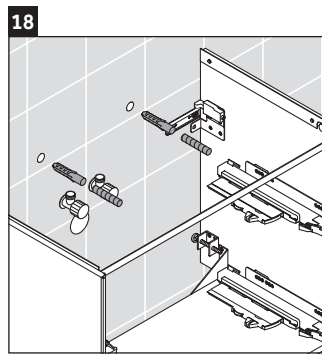
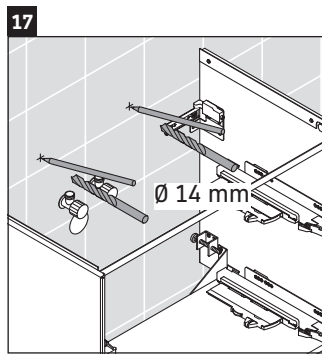
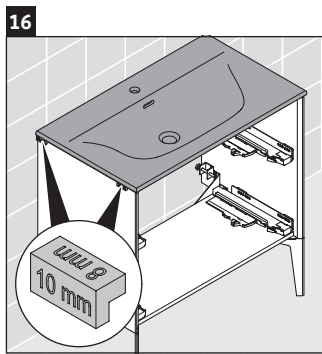
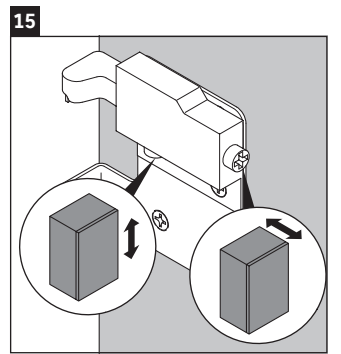
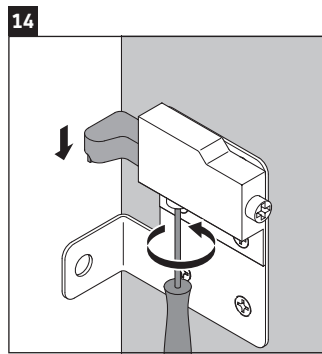
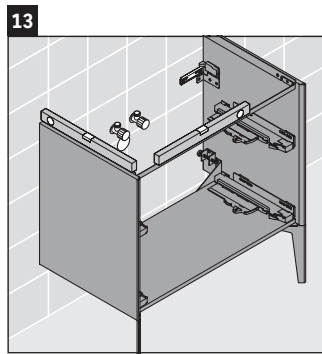
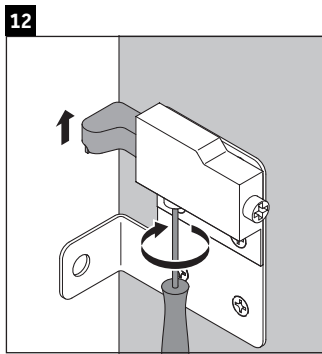
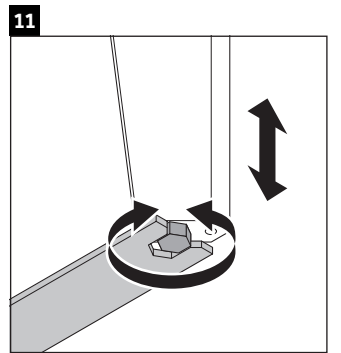
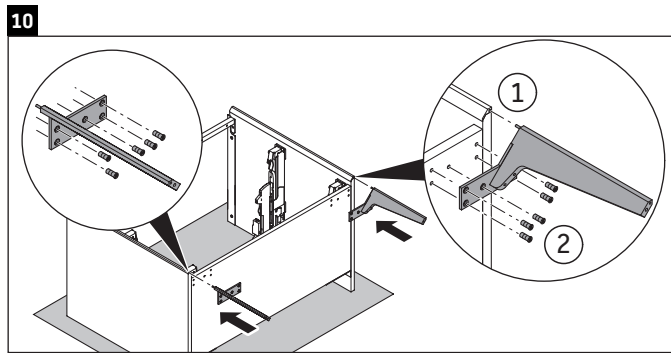
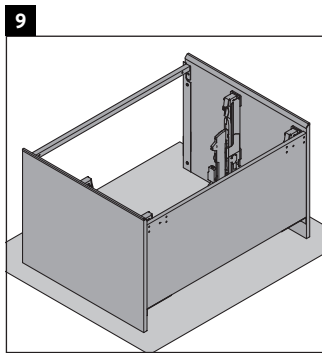
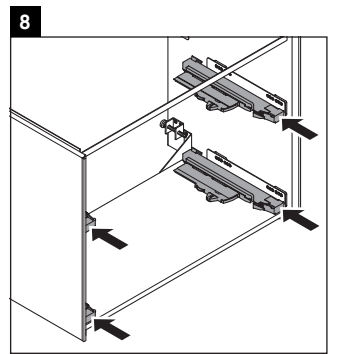
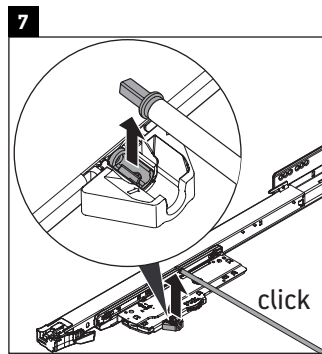
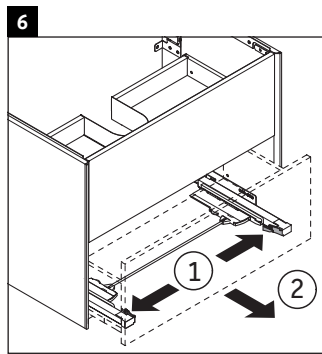
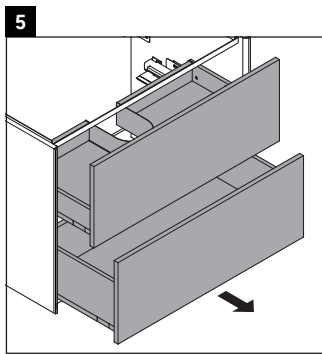
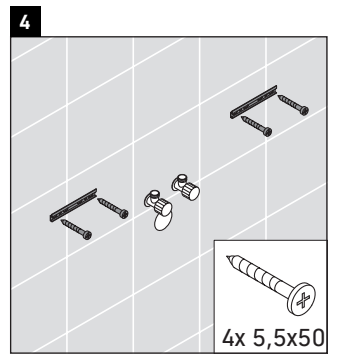
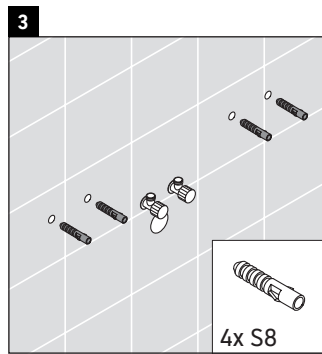
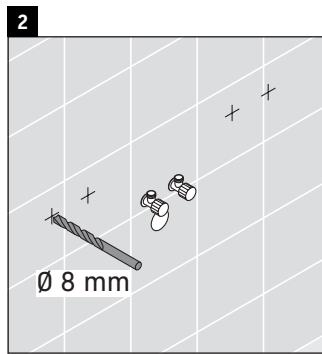
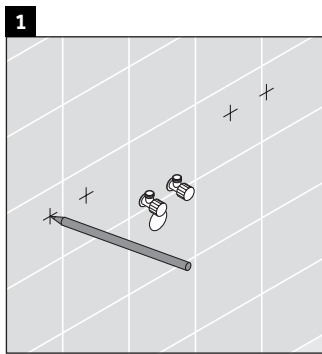
Mounting instructions

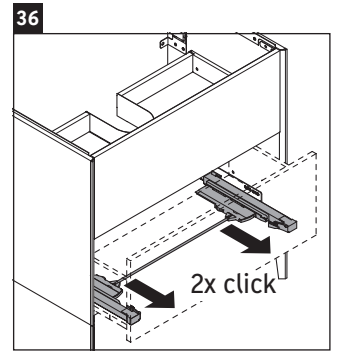
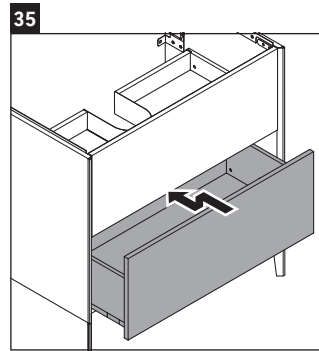
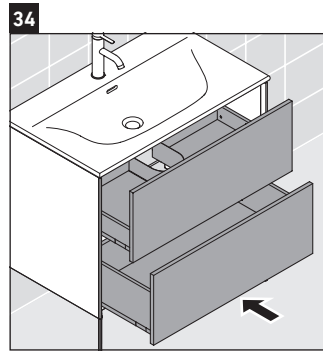
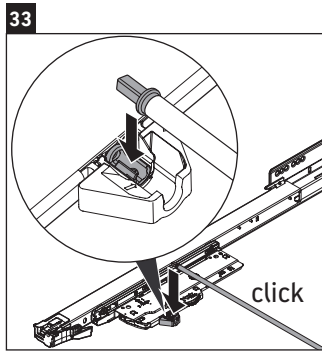
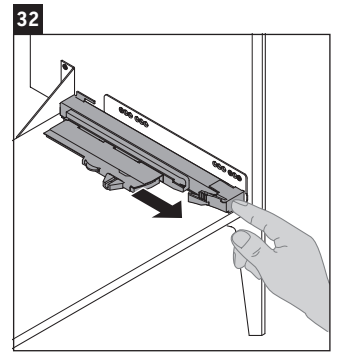
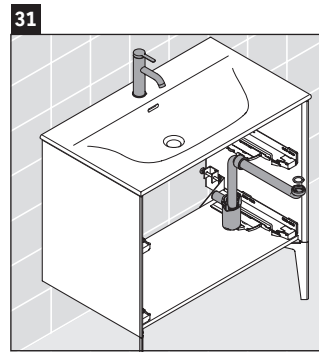
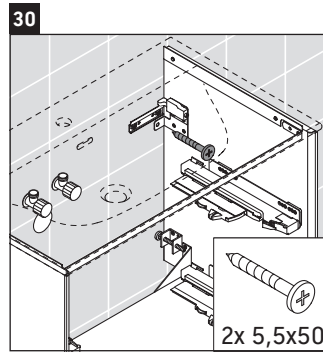
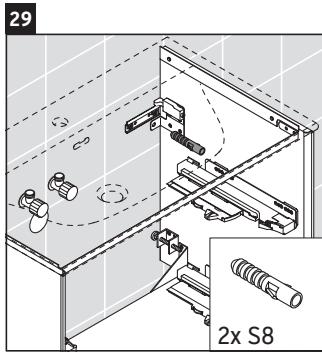
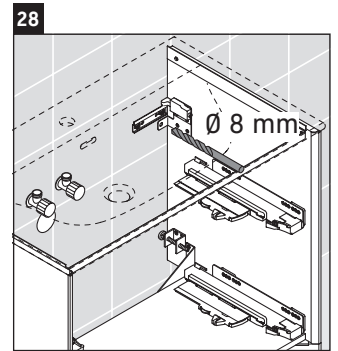
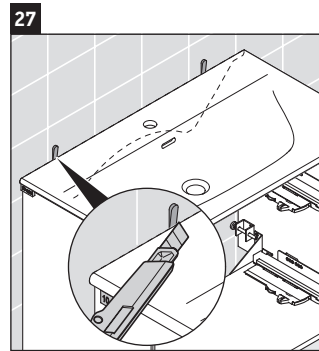
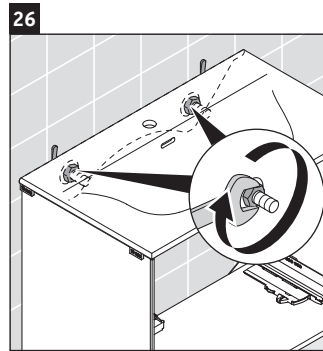
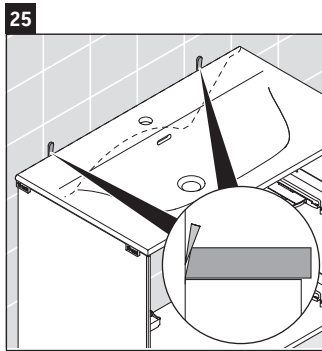
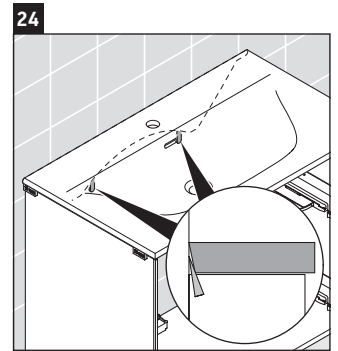
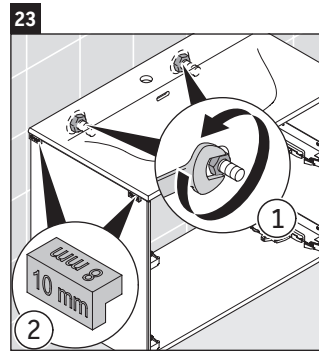
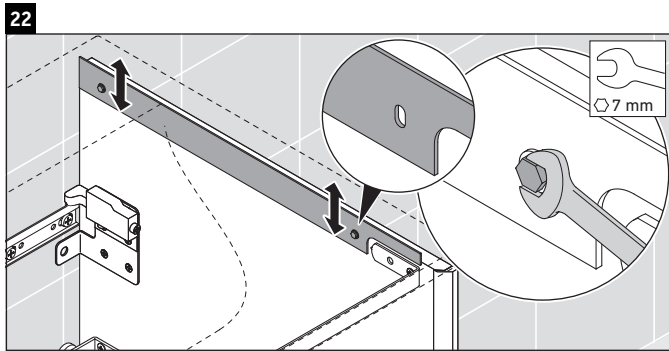
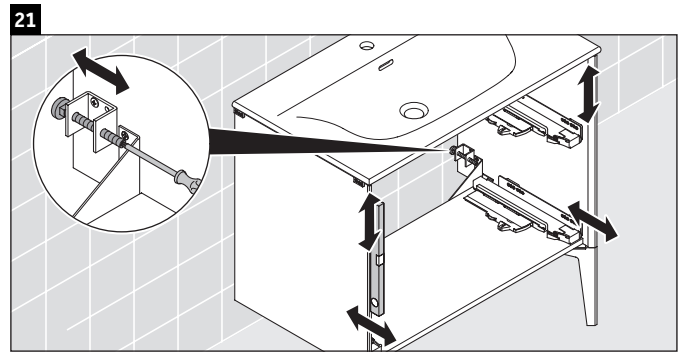
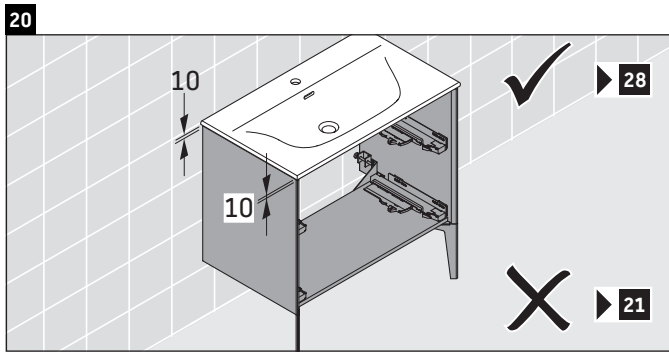


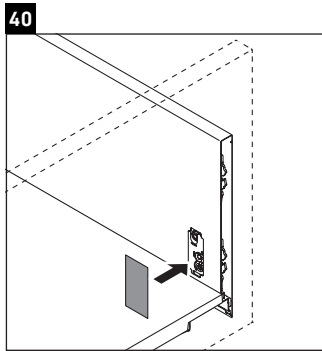
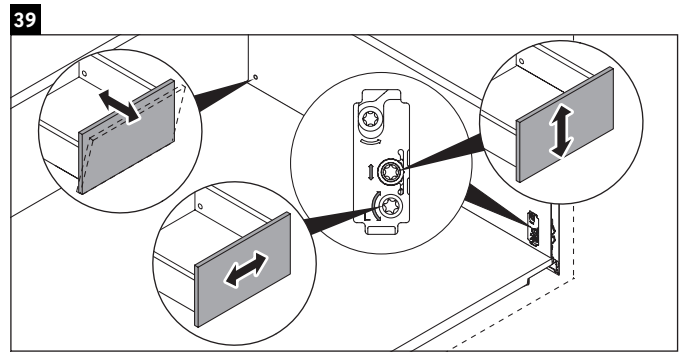
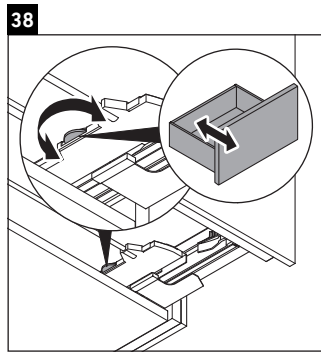
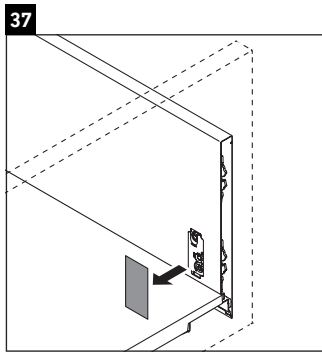
Instructions for use

The bathroom furniture range complies with the standards and guidelines applicable at the time of delivery and is designed for use in bathrooms. Direct contact with water should be avoided, for example, when showering.

We reserve the right to make technical improvements and design modifications to the products illustrated.







Duravit AG
P.O. Box 240
Werderstr. 36
78132 Hornberg
Germany
Phone +49 78 33 70 0
Fax +49 78 33 70 289
info@duravit.com
www.duravit.com

**DURAVIT**

Order no. XV4301/19.01.1