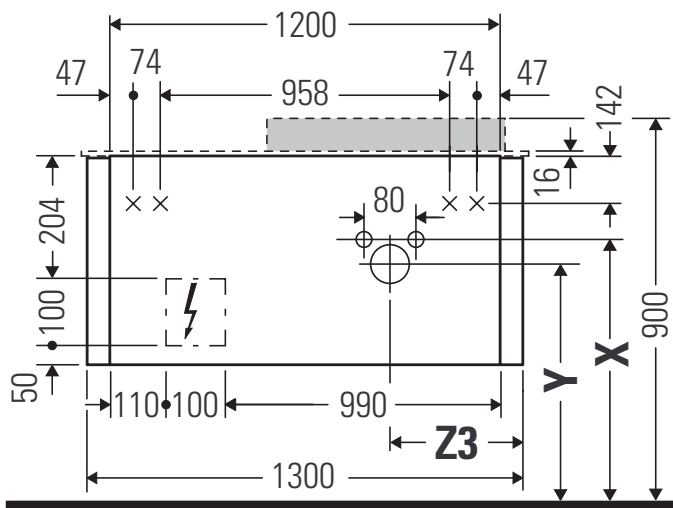
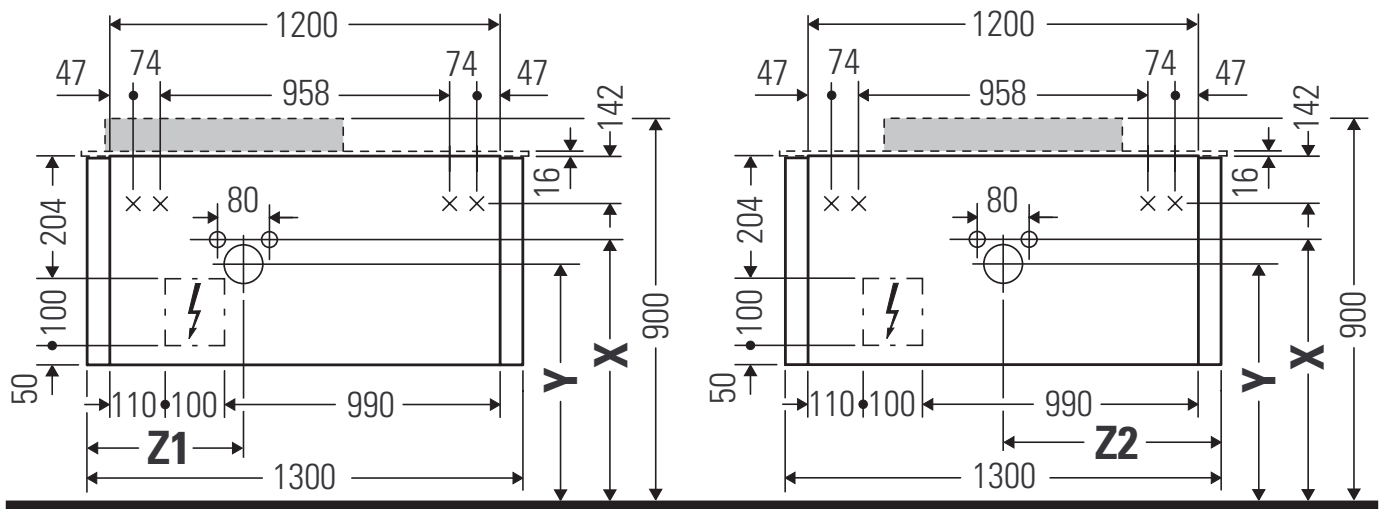
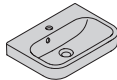


Happy D.2 Plus # HP 4942 L/R/M

Mounting instructions

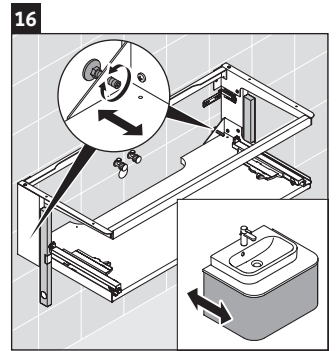
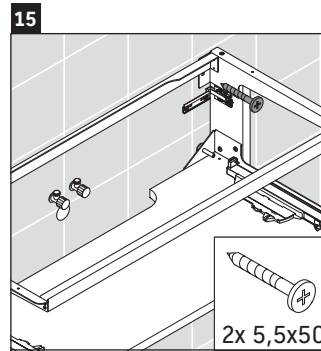
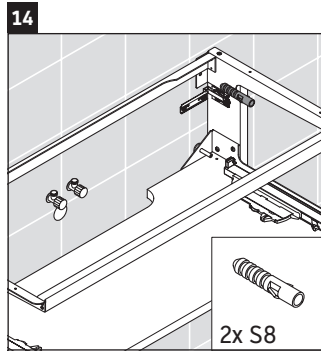
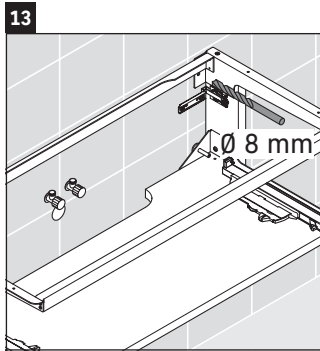
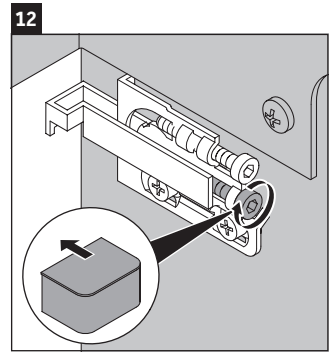
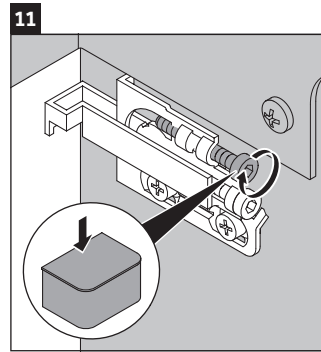
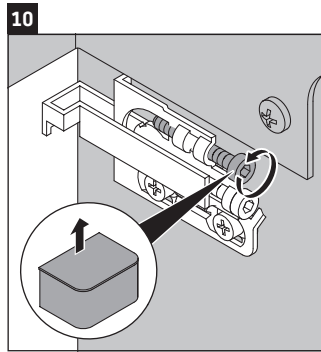
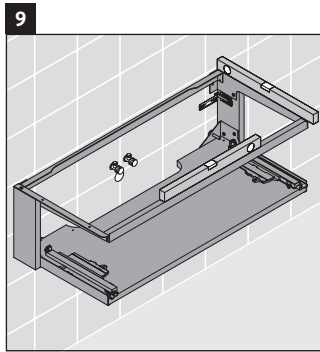
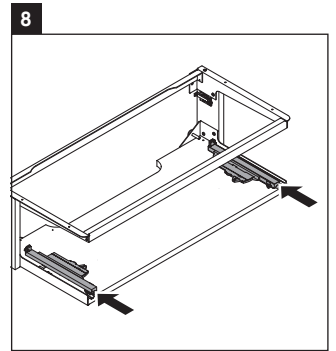
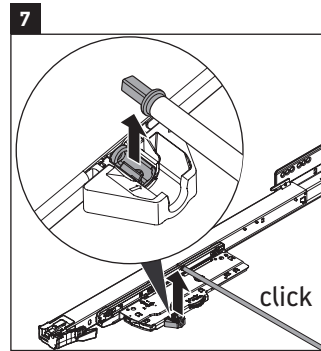
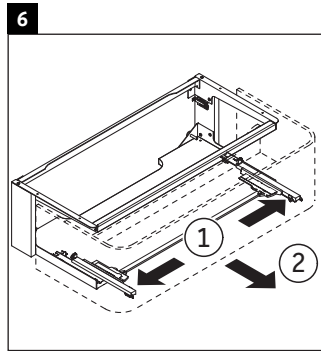
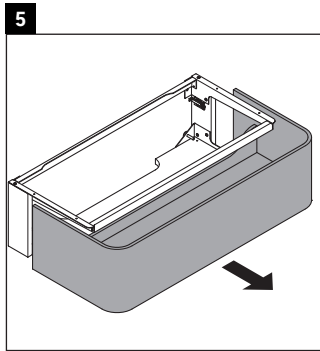
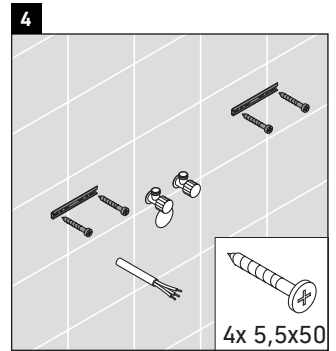
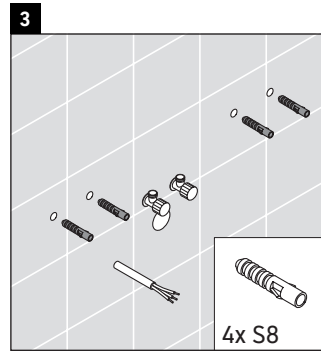
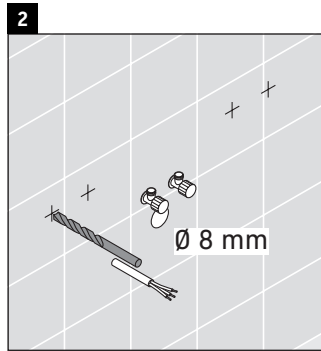
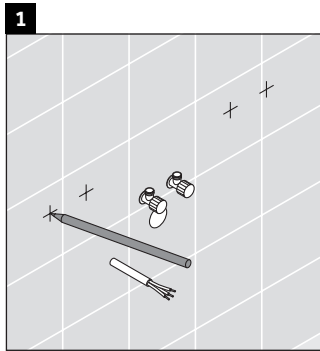
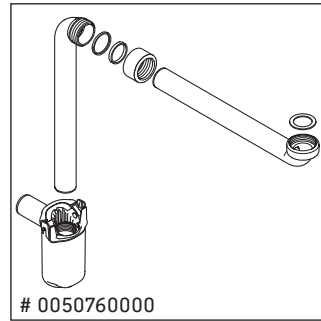
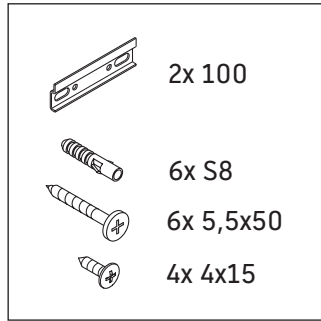
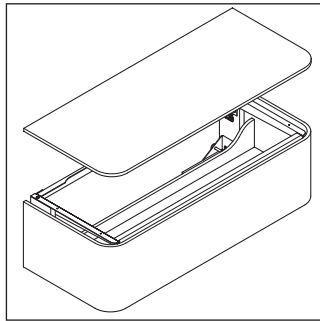


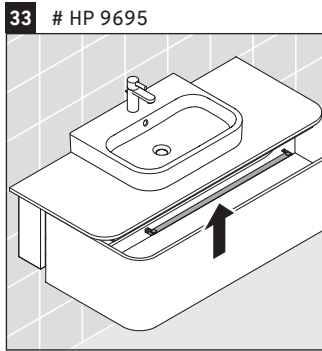
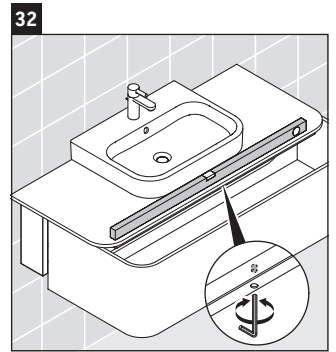
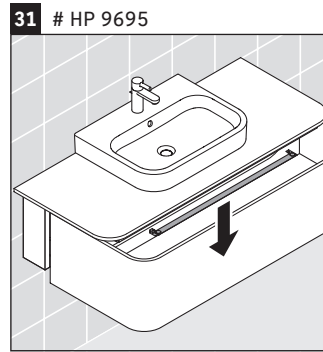
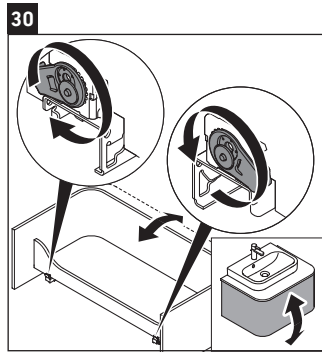
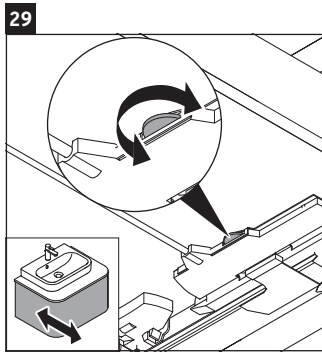
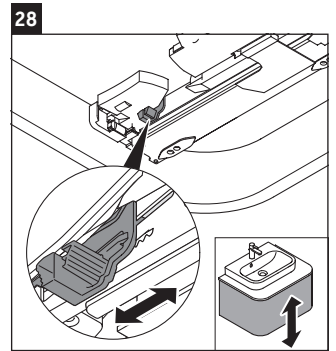
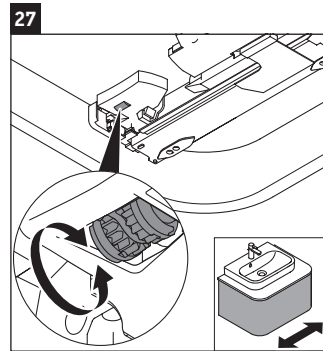
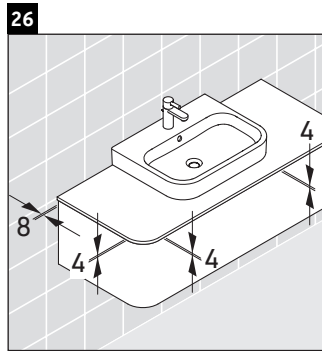
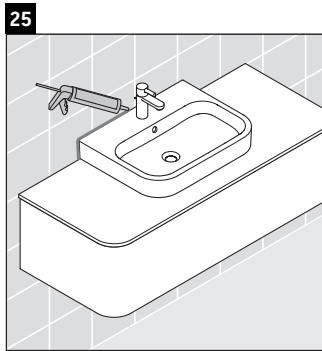
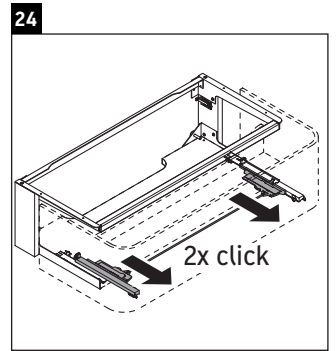
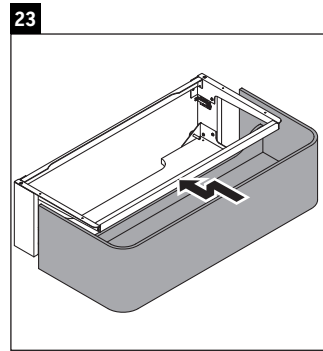
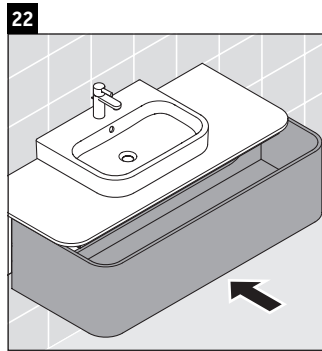
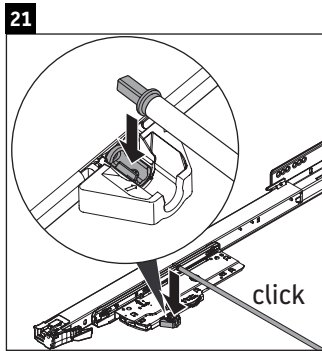
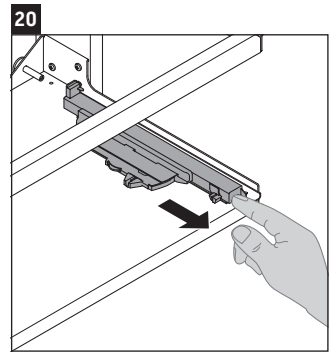
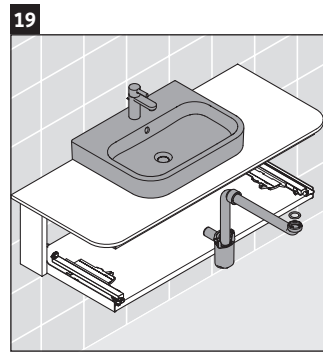
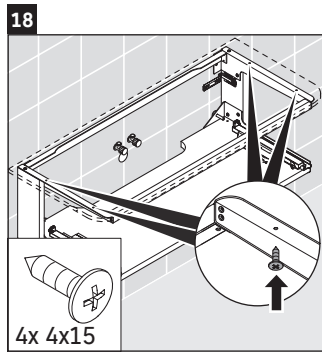
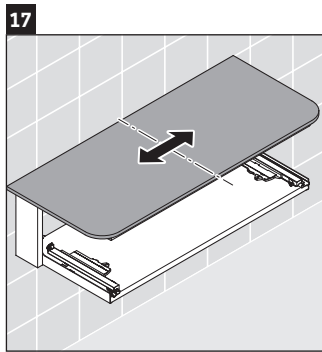
	Z1/Z2/Z3 mm	X mm	Y mm
#231440	430/652/430	660	610
#231460	430/652/430	660	610
#231560	430/652/430	655	605
#235940	430/652/430	695	645
#235960	430/652/430	695	645
#236060	430/652/430	665	615

Instructions for use

The bathroom furniture range complies with the standards and guidelines applicable at the time of delivery and is designed for use in bathrooms. Direct contact with water should be avoided, for example, when showering.

We reserve the right to make technical improvements and design modifications to the products illustrated.





Duravit AG
P.O. Box 240
Werderstr. 36
78132 Hornberg
Germany
Phone +49 78 33 70 0
Fax +49 78 33 70 289
info@duravit.com
www.duravit.com



Order no. HP4942/20.02.2