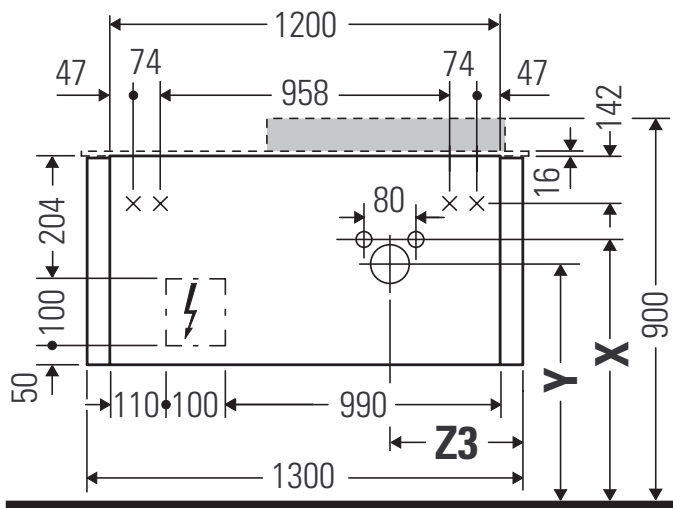
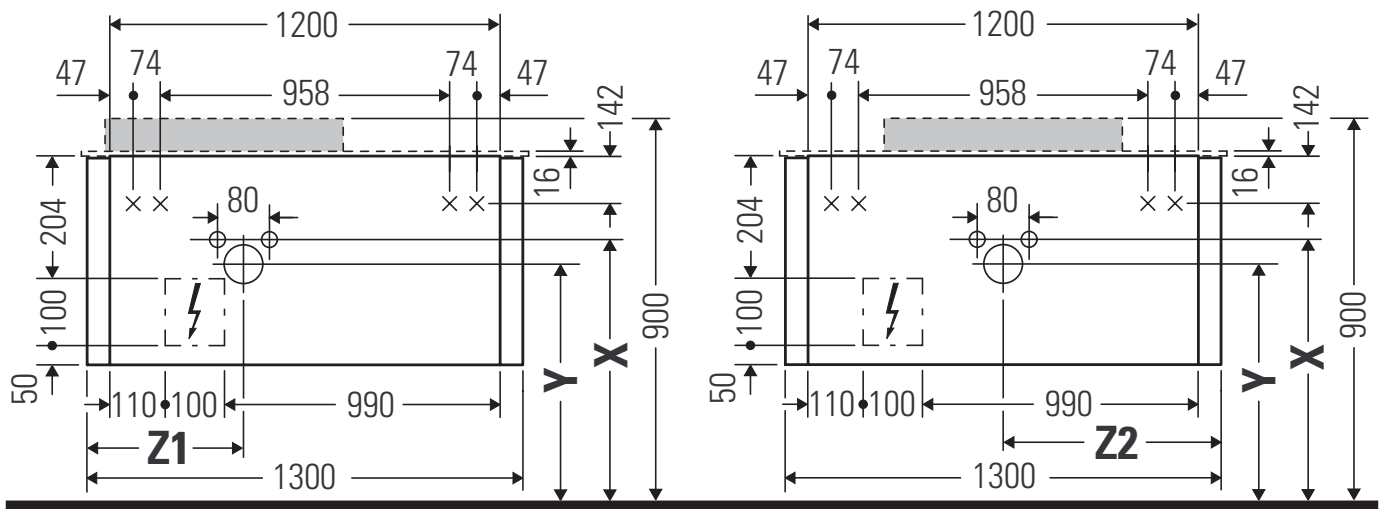
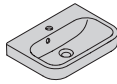


Happy D.2 Plus # HP 4932 L/R/M

Mounting instructions

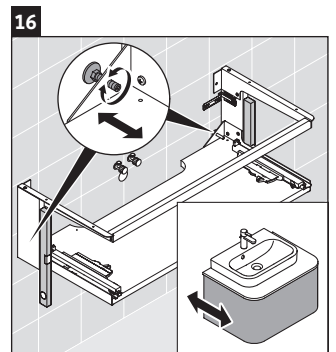
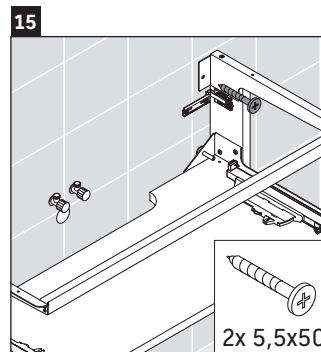
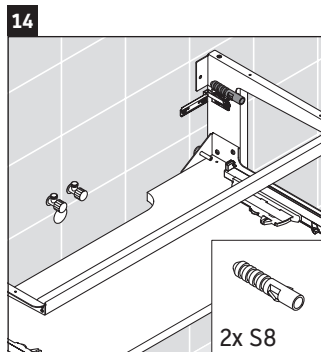
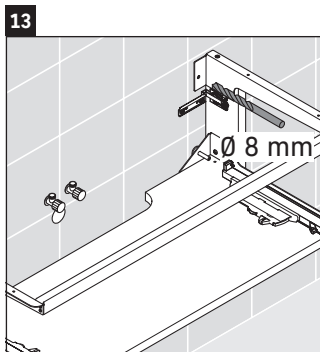
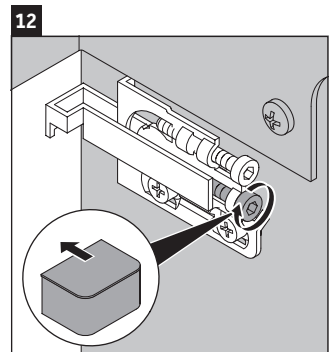
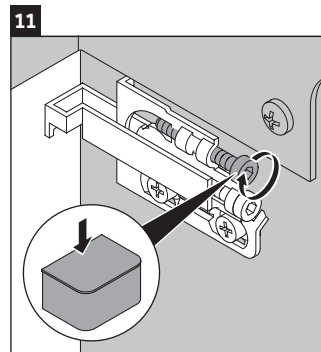
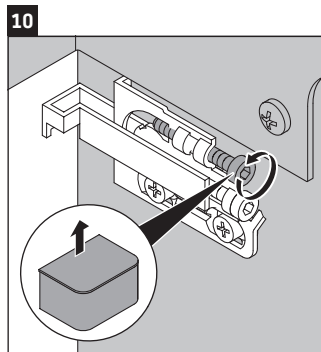
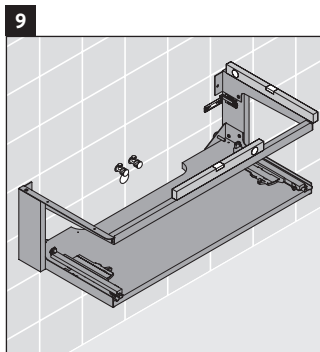
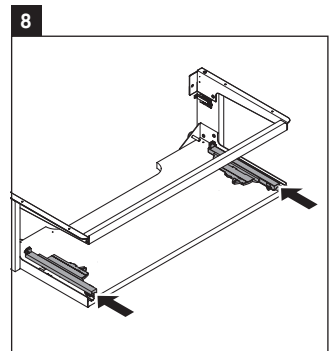
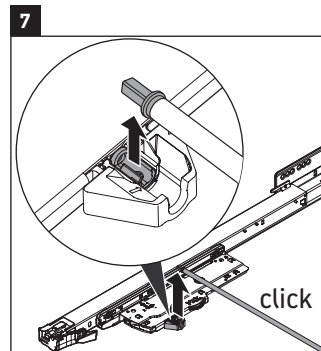
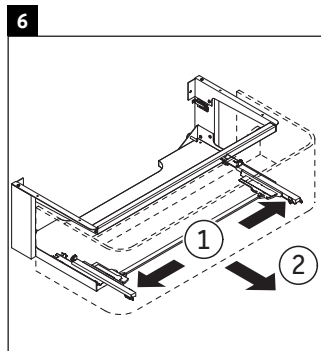
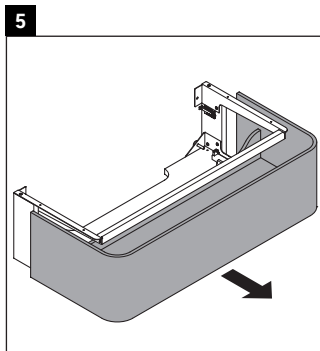
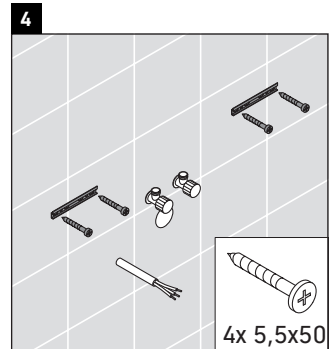
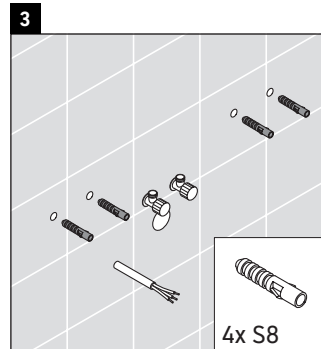
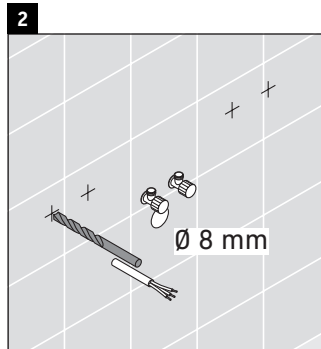
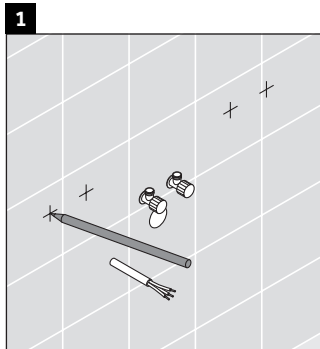
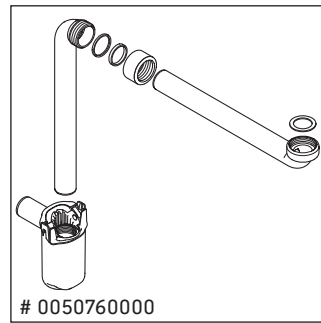
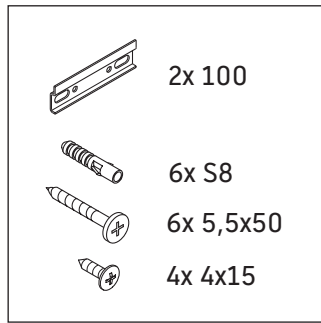
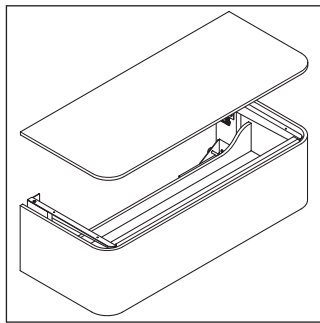


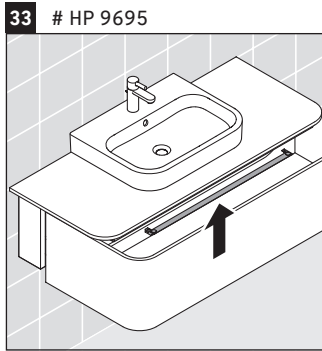
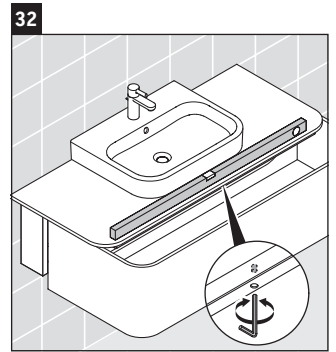
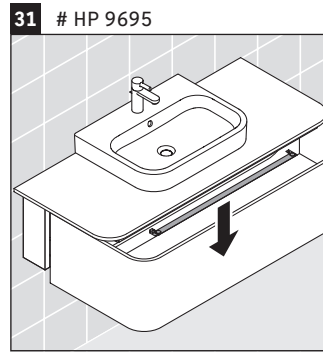
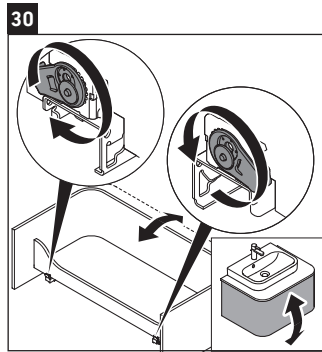
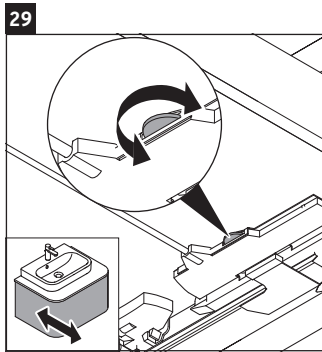
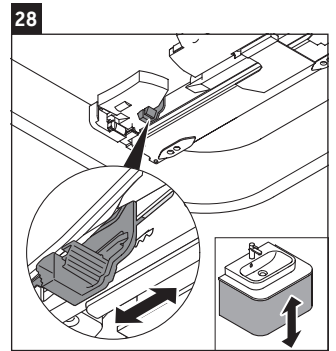
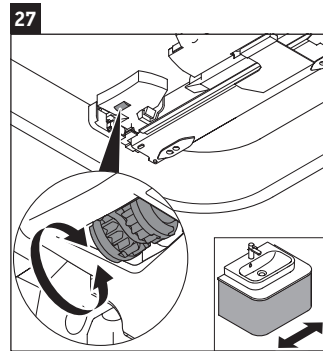
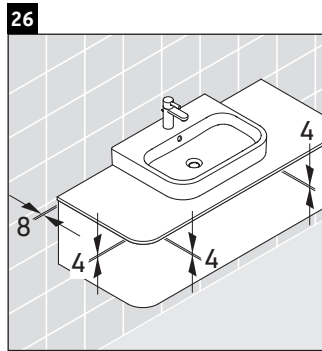
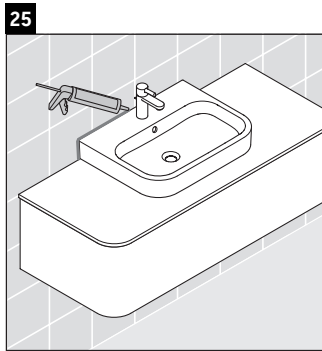
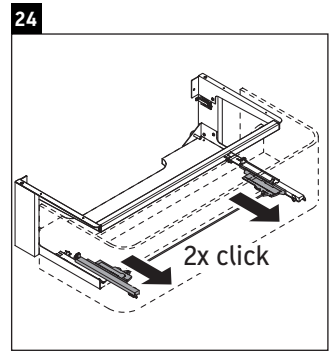
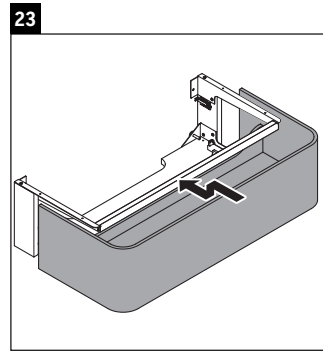
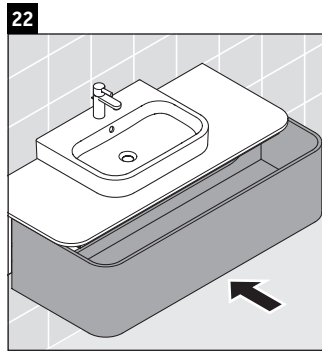
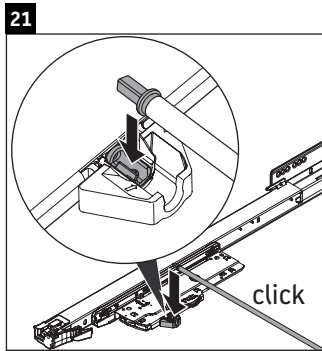
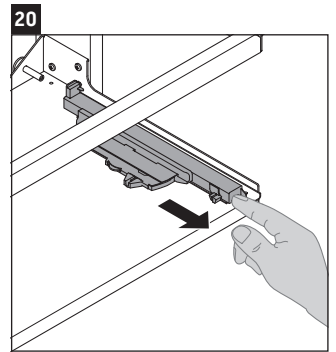
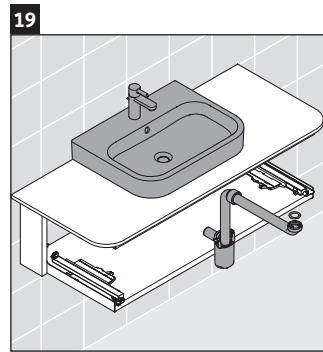
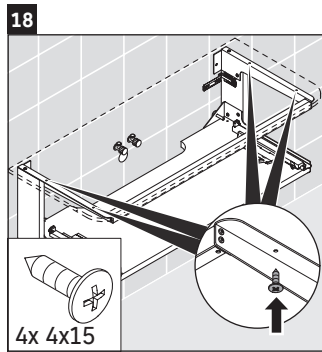
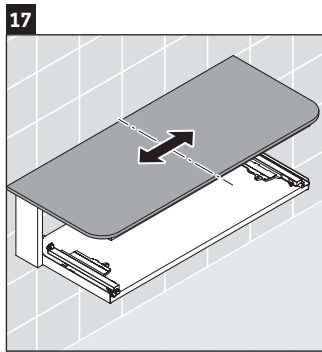
	Z1/Z2/Z3 mm	X mm	Y mm
#231860	430/652/430	655	605
#231865	430/652/430	655	605
#231880	652	655	605
#231810	652	655	605

Instructions for use

The bathroom furniture range complies with the standards and guidelines applicable at the time of delivery and is designed for use in bathrooms. Direct contact with water should be avoided, for example, when showering.

We reserve the right to make technical improvements and design modifications to the products illustrated.





Duravit AG
P.O. Box 240
Werderstr. 36
78132 Hornberg
Germany
Phone +49 78 33 70 0
Fax +49 78 33 70 289
info@duravit.com
www.duravit.com

