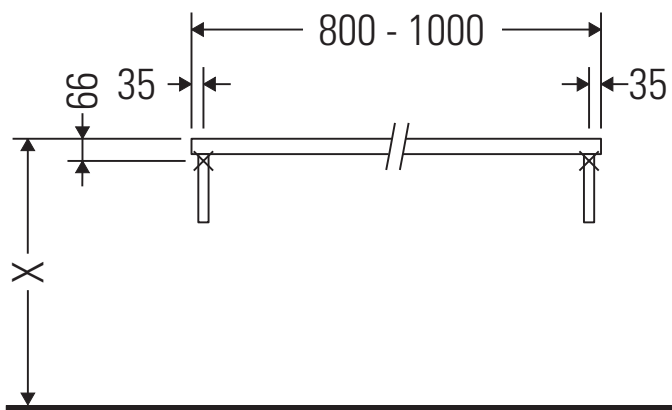


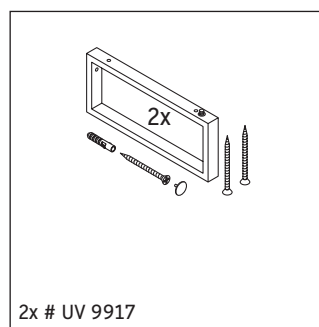
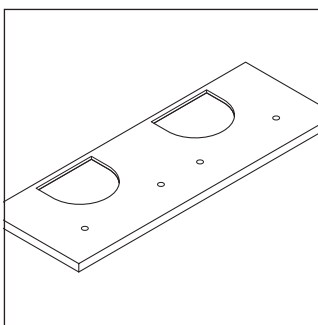
Brioso

BR 101C

Mounting instructions



Follow all other installation instructions!



Instructions for use

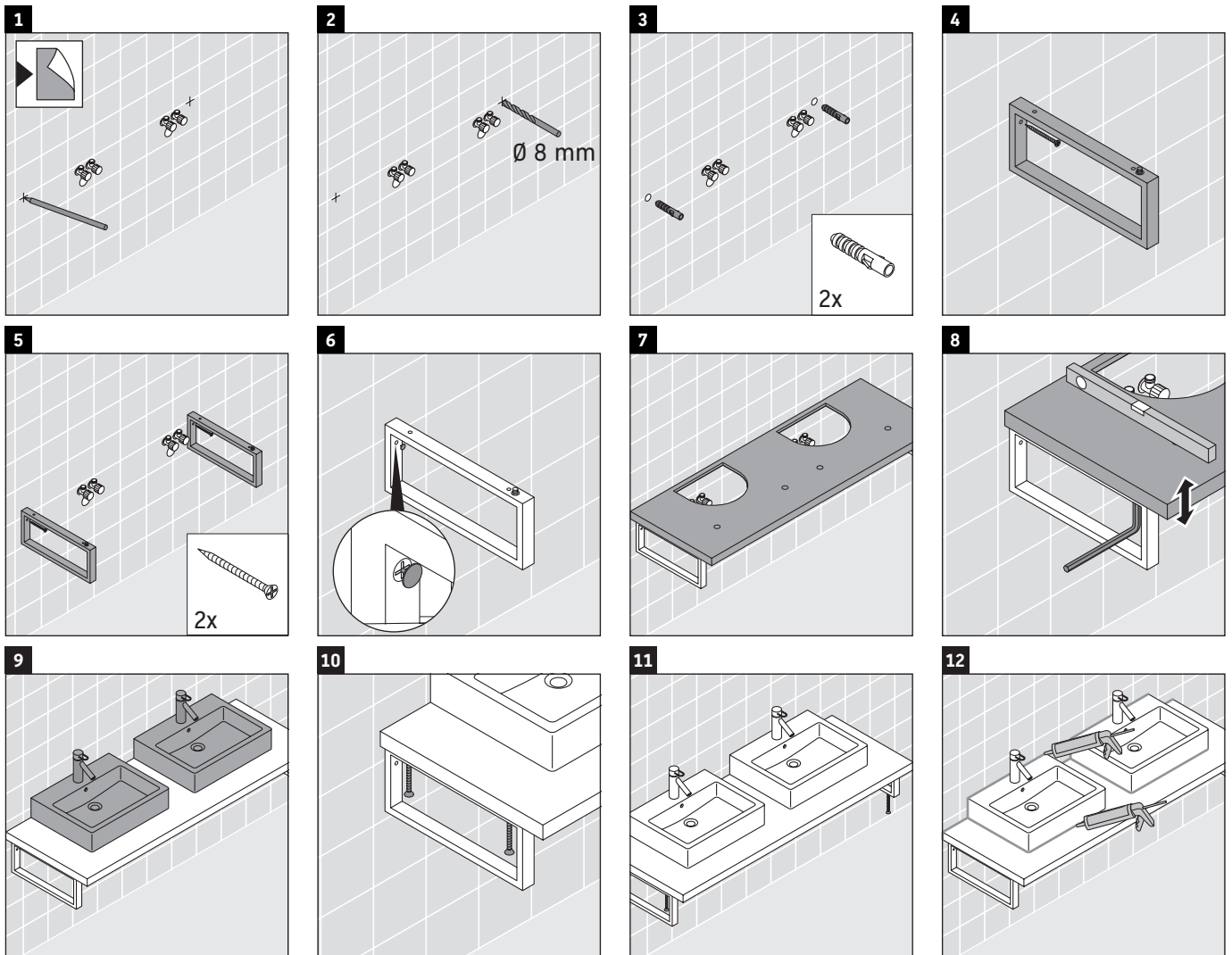
The bathroom furniture range complies with the standards and guidelines applicable at the time of delivery and is designed for use in bathrooms.

Direct contact with water should be avoided, for example, when showering.

The console is not suitable for installation from below with semi built-in and built-in washbasins.

Ceramics wider than 600 mm must be fixed to the wall.

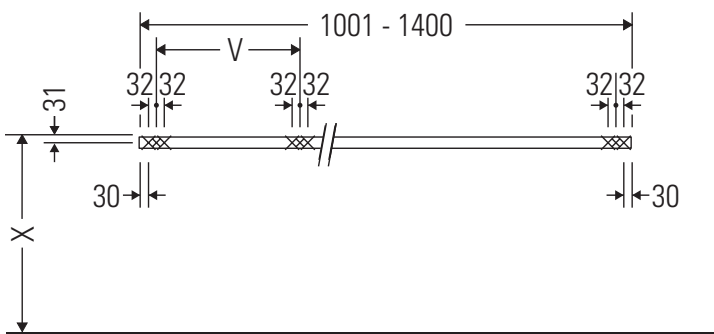
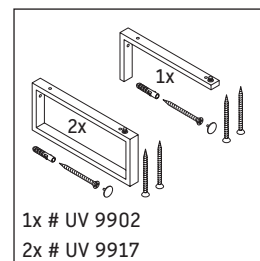
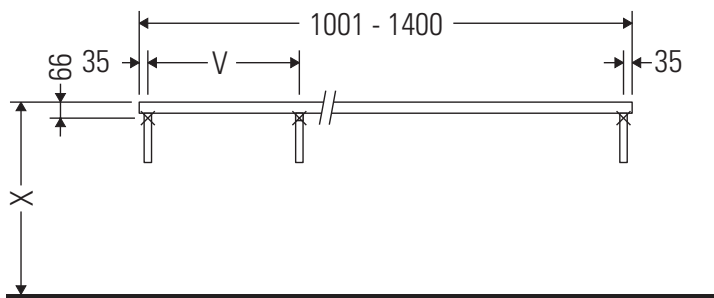
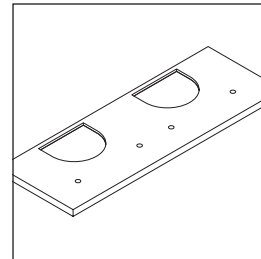
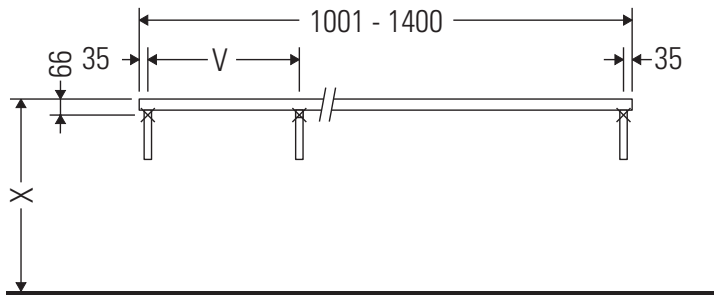
We reserve the right to make technical improvements and design modifications to the products illustrated.



Brioso

BR 101C

Mounting instructions



V = according to the panel specification



Follow all other installation instructions!

Instructions for use

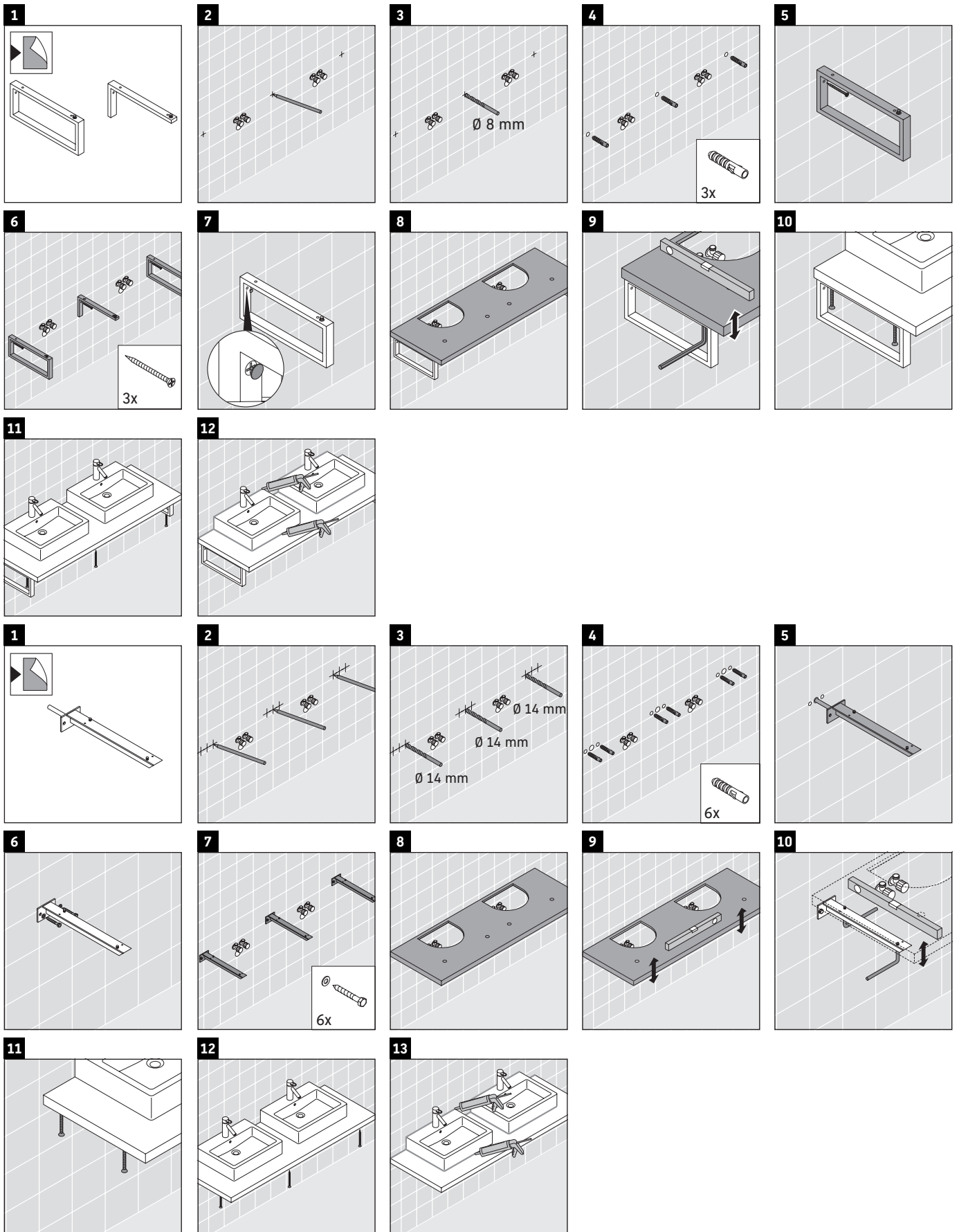
The bathroom furniture range complies with the standards and guidelines applicable at the time of delivery and is designed for use in bathrooms.

Direct contact with water should be avoided, for example, when showering.

The console is not suitable for installation from below with semi built-in and built-in washbasins.

Ceramics wider than 600 mm must be fixed to the wall.

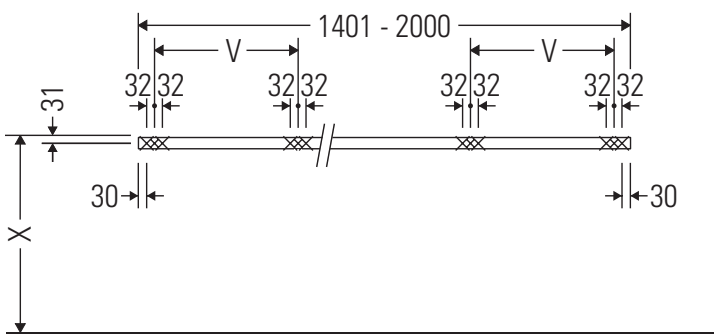
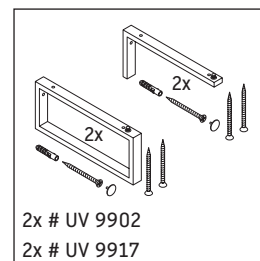
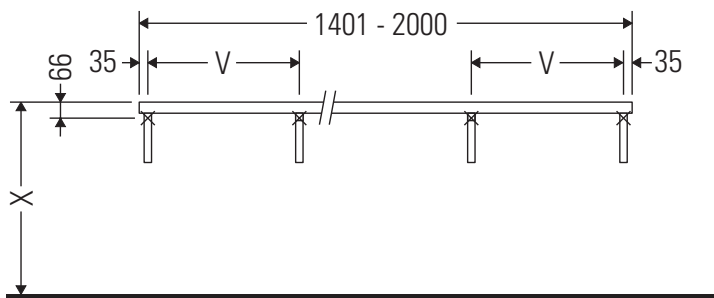
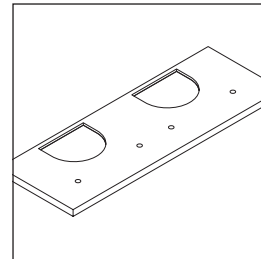
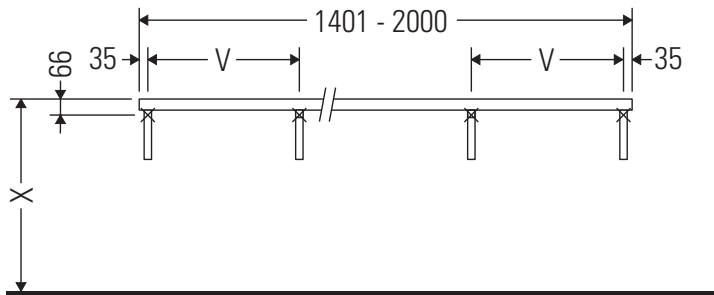
We reserve the right to make technical improvements and design modifications to the products illustrated.



Brioso

BR 101C

Mounting instructions



V = according to the panel specification



Follow all other installation instructions!

Instructions for use

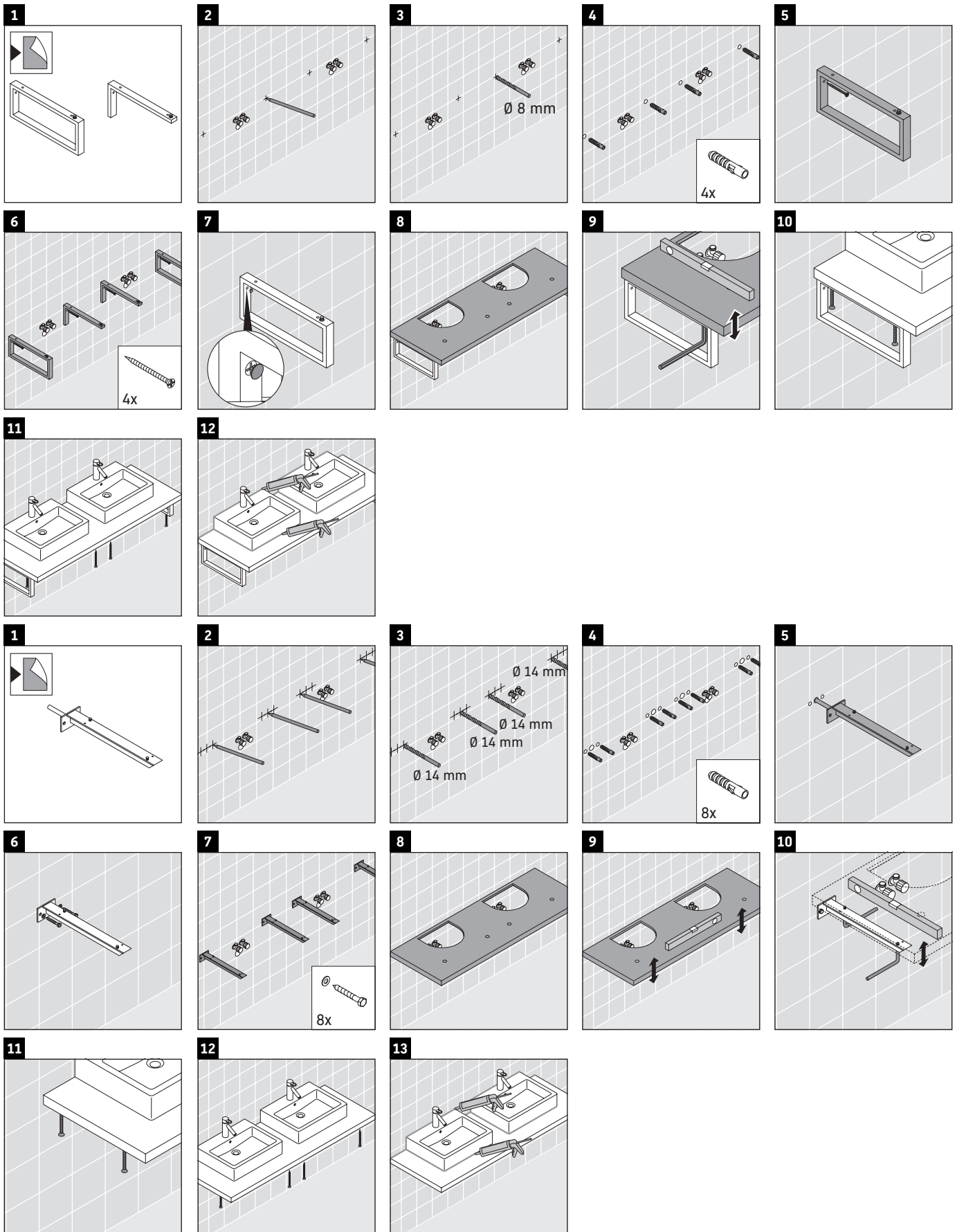
The bathroom furniture range complies with the standards and guidelines applicable at the time of delivery and is designed for use in bathrooms.

Direct contact with water should be avoided, for example, when showering.

The console is not suitable for installation from below with semi built-in and built-in washbasins.

Ceramics wider than 600 mm must be fixed to the wall.

We reserve the right to make technical improvements and design modifications to the products illustrated.



Order no. BR101C/20.01.1