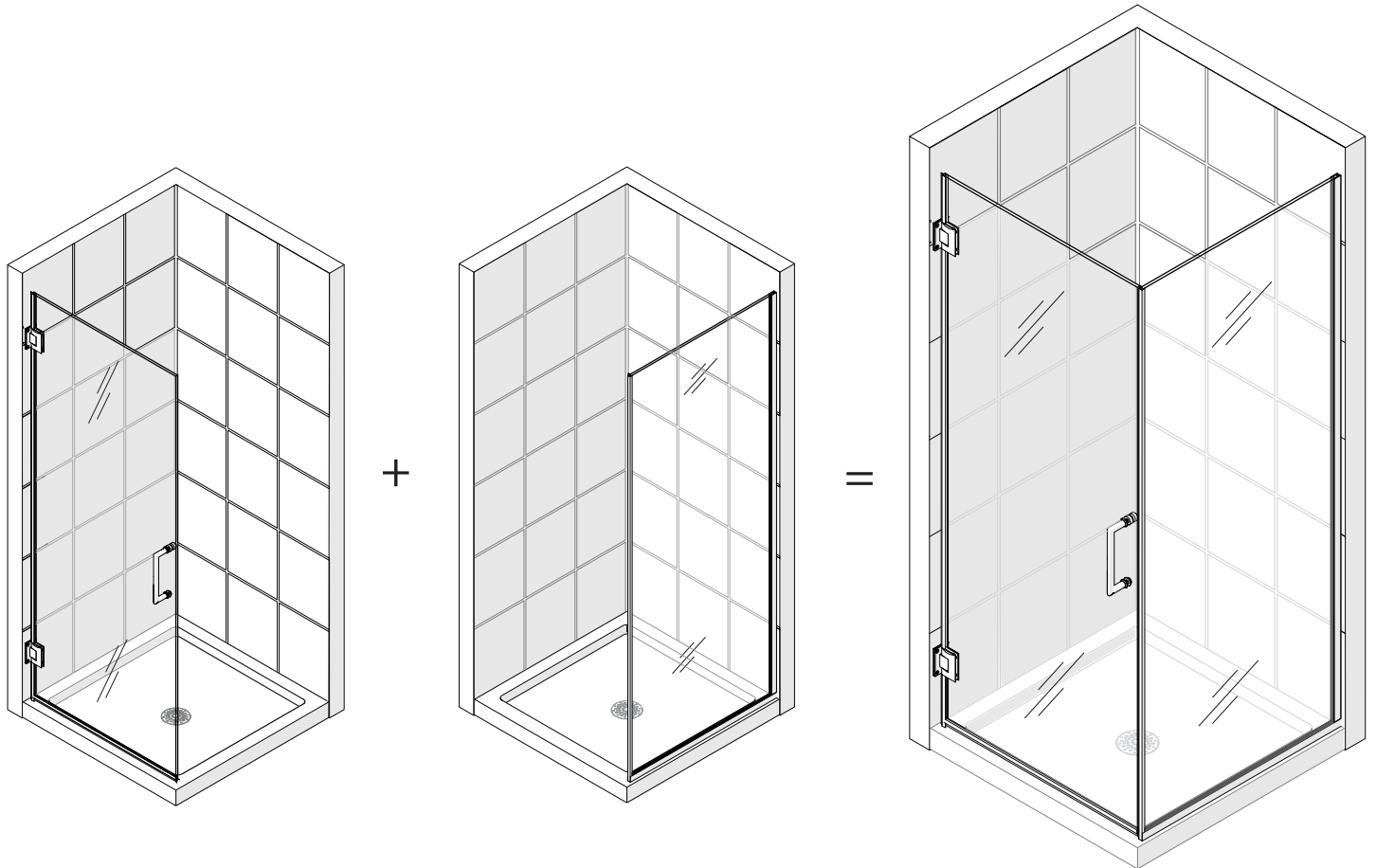


UNIDOOR PLUS Enclosure (Style L)

SHOWER ENCLOSURE INSTALLATION INSTRUCTIONS

PLEASE REVIEW THIS ENTIRE MANUAL PRIOR TO INSTALLATION



STEP 1: Install Shower Door

STEP 2: Install Return Panel

STYLE L



NOTE: Refer to the Return Panel Manual for Enclosure Installation dimensions.



Questions?

Please Call **DreamLine** Customer Support: **1-866-731-2244**
Hours of Operation M-F 8AM - 6PM EST

Support@DreamLine.com



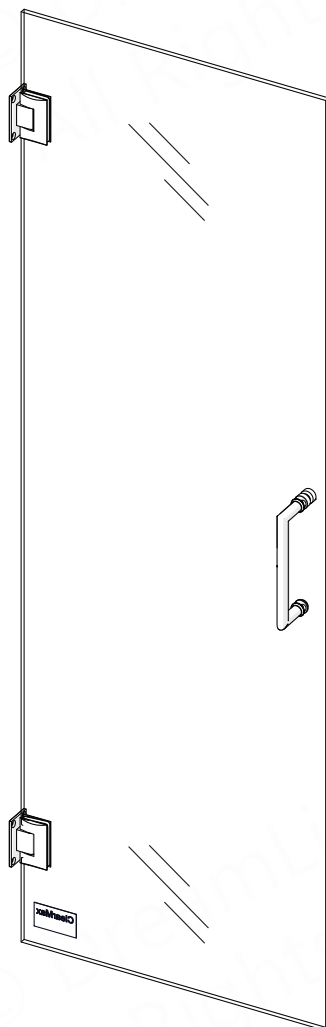
For more information about DreamLine[®] products please visit DreamLine.com

UNIDOOR

see pages 5-6 for related model styles

SHOWER DOOR INSTALLATION INSTRUCTIONS (FOR SINGLE DOOR)

PLEASE REVIEW THIS ENTIRE MANUAL PRIOR TO INSTALLATION



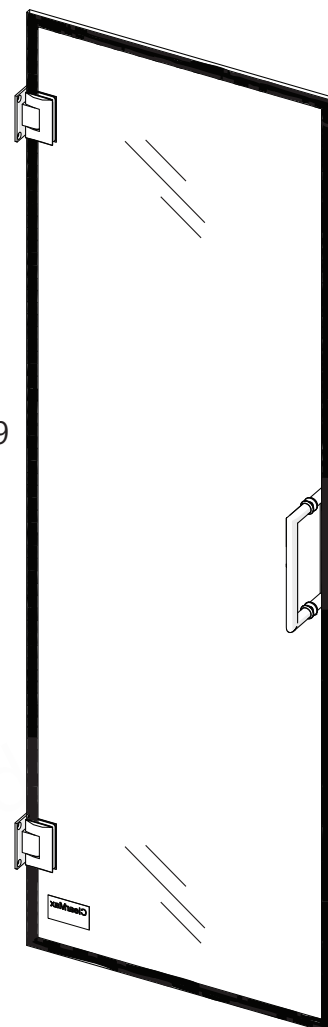
Model #s:

- SHDR-20237210F-##
- SHDR-20247210F-##
- SHDR-20257210F-##
- SHDR-20267210F-##
- SHDR-20277210F-##
- SHDR-20287210F-##
- SHDR-20297210F-##
- SHDR-20307210F-##

= Finish:

- 01** = Chrome
- 04** = Brushed Nickel
- 06** = Oil Rubbed Bronze
- 09 / 89** = Satin Black

left-swing installation shown



Model #:

- SHDR-202472E-89
- UNIDOOR EDGE

IMPORTANT!

DreamLine® reserves the right to alter, modify or redesign products at any time without prior notice for the purpose of product improvement and customer experience. Please refer to the model's web page on **DreamLine.com** for the latest technical drawings, installation manuals, warranty information or additional product details.

Do Not Return Product to the Store. Contact DreamLine® with any questions



Questions?

Please Call **DreamLine Customer Support: 1-866-731-2244**
Hours of Operation M-F 8AM - 6PM EST

Support@DreamLine.com





This model is treated with DreamLine's exclusive ClearMax™ Glass technology. This is a specially formulated coating that prevents the build up of soap and water spots.

Install the surface with the ClearMax™ label towards the inside of the shower. Please note that depending on the model, the glass may be coated on either one or both surfaces.

For best results, squeegee the glass after each use and dry with a soft cloth.

Record the following purchase information for your records or in the event you need to contact DreamLine®:

Purchase Order Number _____

Store/Vendor Purchased From _____

Installation Date _____

OD Number* (optional) _____
*located on the shipping box or label if available

Installed By: _____

SKU Number _____

Table of Contents

Section Title	Page #
ClearMax® Coating Information	—
Warnings and General Preparation	2
Required Reinforcement Information	3
Unidoor Glass-to-Wall Hinge and Handle Location	4
Unidoor Styles	5-6
Model Specific Preparation	7
Tools	8
Detailed Diagram of Shower Door Components	9
Parts List	10
Specifications	11
Installation Steps	12-22
PVC Hinge Spacer Information (if necessary)	13
Handle Assembly Installation	17
Sweep Vinyl Seal Installation	18
Hinge Side Vinyl Seal Installation	19-20
Hinge Assembly Adjustment Procedure	21
L-Strike Vinyl Seal Installation {*for single shower door installation only}	22
Product Maintenance	24
Troubleshooting	25
Factory Parts Information (UNIDOOR / PLUS / -X / -LS)	26
Factory Parts Information (UNIDOOR EDGE)	27

Symbol Legend



TIP - for ease of installation.



CORRECT - recommended.



NOTE - take note of special feature; additional information.

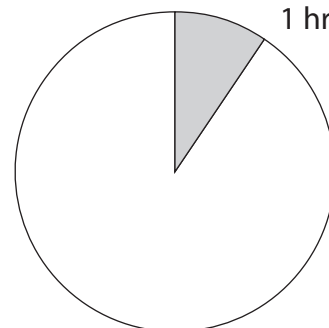


INCORRECT - not recommended.



REQUIRED - requires special attention; signifies a warning.

Average Installation Time





IMPORTANT

- DreamLine® reserves the right to alter, modify or redesign products any time without prior notice for product improvement and customer experience. Please refer to the model's web page on DreamLine.com for the latest technical drawings, installation manuals, warranty information or additional product details.
- This product should be installed by someone familiar with the construction requirements for this type of project and the care necessary for the safe installation and operation of the product.
- The safety of any installation is the responsibility of the installer.
- Professional installation recommended. *(All Models)*
- Professional installation required. *(Enigma Series)*
- To prevent damage or serious injury, Do Not lean against the installed panel/door/glass.
- To prevent damage or serious injury: Do Not attempt to lift or move a heavy lite of glass alone. Use an assistant and/or a professional grade glass suction cup.
- The installation of some models may require drilling down into the threshold. Contact the manufacturer of the base, tub, or threshold material with any questions regarding the drilling of holes into their product.
- All drawings in this installation manual are for illustrative purposes only and are not drawn to scale.

TEMPERED GLASS WARNING

- Your Shower Door Glass Could Shatter Without Warning if Improperly Installed or Mishandled
- Do Not install or operate a shower door if the glass has chipped corners, slivered edges or is otherwise damaged and/or has been dropped or banged into a hard surface such as tile, marble or glass.
- **The main causes of tempered glass breakage are:**
 - Improper handling, storage or installation
 - Misuse/abuse
 - Lack of maintenance
 - Failure to replace damaged glass
 - **Improper handling during storage, unpacking and installation:**
 - Corners and edges are the most susceptible area to damage on a lite of tempered glass and should be protected and handled with care during storage, unpacking, installation and operation. A concentrated point of pressure or impact with a surface harder than itself may cause the tempered glass to shatter. The tempered glass may release immediately, within several hours or even days later.
 - **Incorrect installation of door hardware, rollers, hinges, channels, stopper or glass:**
 - Improper installation may include: loose hardware and/or lack of proper gaskets between the hardware and glass. Additionally, improper alignment of guide rails, wall profiles or other hardware during installation or operation may place stress on the glass edges and cause it to break.
 - This product must be installed by a professional and experienced installer familiar with the safe handling of tempered glass.
 - **Improper use of this product:**
 - Aggressively opening or closing the door may cause trauma to the glass, which can lead to breakage. This may occur immediately or hours or even days later.
 - **The shower door hardware and glass should be inspected periodically:**
 - Instruct the homeowner how to perform a periodic inspection of the shower hardware and glass - some minor adjustments may be necessary based upon the use (or misuse) of the shower door. Ensure that the hardware remains tight and that the door alignment and operation are correct. Any adjustments should be made upon discovery to prevent damage to the product.
 - Additional considerations should be given to the installation of frameless tempered glass products in households with young children or an elderly person due to an increased chance of improper handling. In such cases, alternatives such as shower curtains or grab bars should be considered.

GENERAL PREPARATION

- After opening all boxes and packages, read this introduction carefully. Check that all the items are included in the package by marking off the components on the “**Detailed Diagram of Product Components**” page. Examine all boxes and packages for shipping damage. If the unit has been damaged, has a finishing defect, or is missing parts; please contact our Customer Support department within 3 business days of the delivery date. **Please note that DreamLine® will not replace any damaged products or missing parts free of charge after 3 business days or if the product has been installed.** Please contact DreamLine® if you have any questions.
- **Please note that you should refer to your local building codes with questions on installation compliance standards. Building and plumbing codes may vary by location, and DreamLine® is not responsible for code compliance standards for your project and will not accept any returns.**
- If this unit is going to be installed in a new construction, install all the required plumbing and drainage before installing the shower. **Use a competent and licensed (if required by local code) plumber for all plumbing installation.**
- Make sure that prior to beginning the installation, the surfaces are leveled and solid and will be able to support the total weight of the unit. Also make sure the walls are at right angles. Irregular installation surface level, radius corners or improper angle of side walls will result in serious problems for your installation. Please note that some adjustments and drilling will be necessary during the installation process.
- Protect all primary surfaces of the product during installation. Never set your glass down directly onto a tile floor. Leave corner protectors in place until it is necessary to remove them. Always use a piece of wood or cardboard to protect the bottom edge and corners of the glass prior to and during installation.
- This unit must be installed upon a finished threshold and against finished walls.
- *DreamLine® shower doors are not designed to be installed into a fiberglass surround due to the radius corners and lack of a solid surface to mount the hardware.*

WARNING: TO AVOID THE RISK OF DAMAGE OR INJURY:

- **Follow all recommendations and requirements as shown in the installation instructions.**
- Perform a thorough inspection of the glass and all parts for any damage prior to installation. Any damage to tempered glass can cause breakage. **Do Not install damaged glass!**
- Do Not install or operate a shower or tub door if the glass has chipped corners, slivered edges or is otherwise damaged. Do Not install or operate a shower or tub door that has been dropped or banged into a hard surface such as tile, marble or glass.
- **CAUTION:** Contact with any hard surface can damage tempered glass and cause it to shatter.
- This product uses tempered glass. Glass cannot be cut after it has been tempered. **Do Not attempt to cut tempered glass.**
- DreamLine® Glass Shower doors, Tub doors, Inline panels, and Return panels can shatter due to improper handling or lack of maintenance. Conduct periodic inspections of glass and all parts for possible damage, missing or loose parts.
- Always wear proper safety equipment such as: safety goggles, work gloves and appropriate footwear during the installation process.
- **WARNING. Risk of leakage and/or damage.** Follow all instructions regarding the application of silicone sealant or caulk. Allow 24 hours for the sealant to cure before the initial use of the shower or tub product. Follow the silicone manufacturer's recommendations regarding the use of their product.
- **Thoroughly read these instructions before installing or using this product.**
- **Leave this manual for the end-user of the product.**



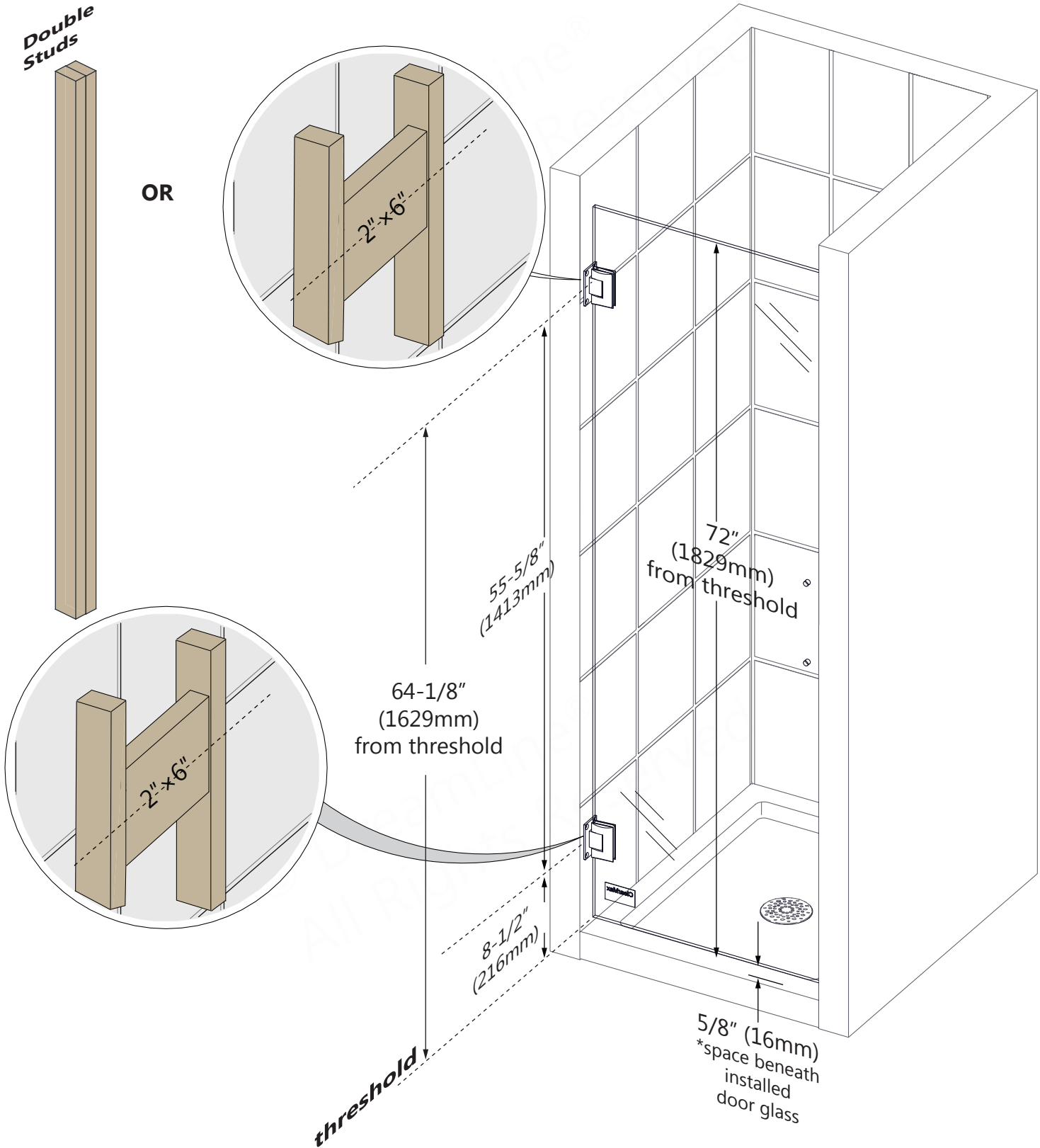
This product should be installed by someone familiar with the construction requirements for this type of project and the care necessary for the safe installation and operation of the product.



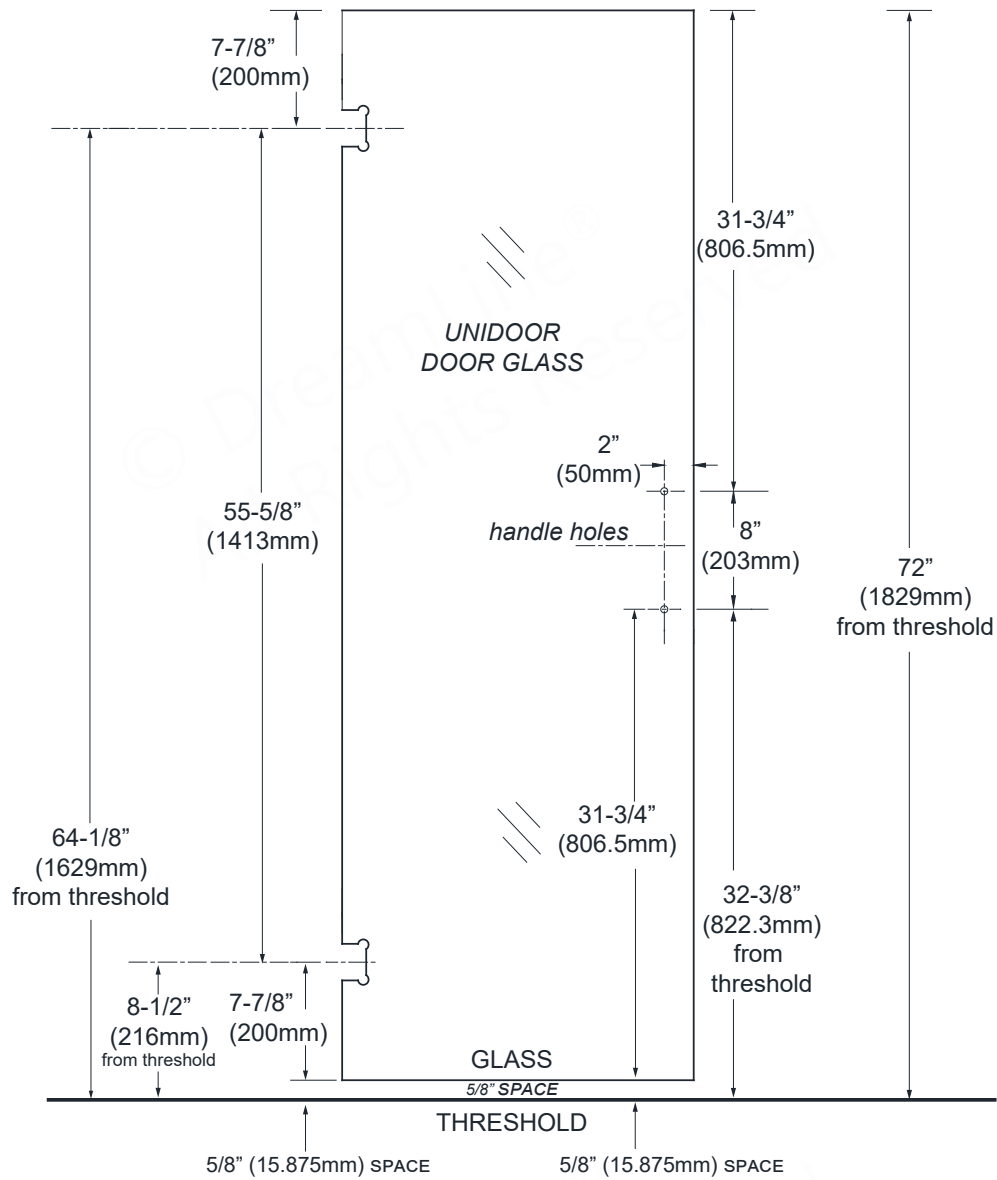
Required Reinforcement Information



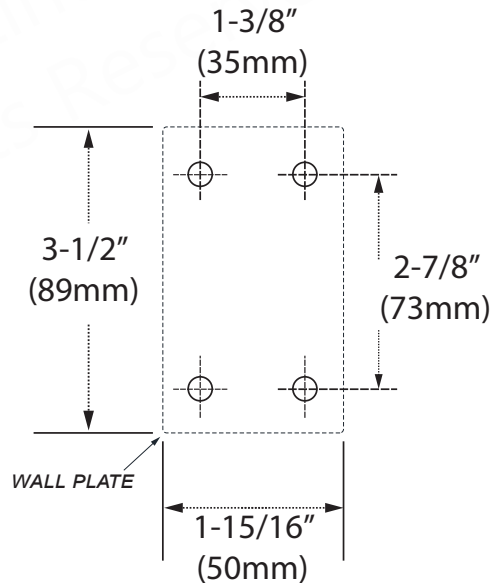
Install **DOUBLE STUDS OR** install **2" x 6" WOOD BLOCKING** between the studs where the hinge assemblies will attach to the wall.



UNIDOOR Glass-to-Wall Hinge and Handle Location



Hinge Assembly Wall Plate Hole Layout

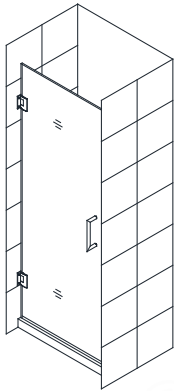




UNIDOOR / PLUS / -LS / EDGE Styles

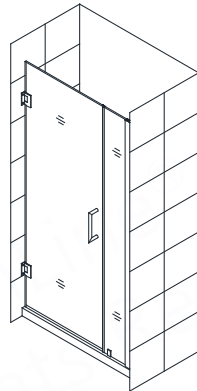
left door-swing installations shown

* For the panel installation instructions, please refer to the separate manual included in the panel glass packaging.



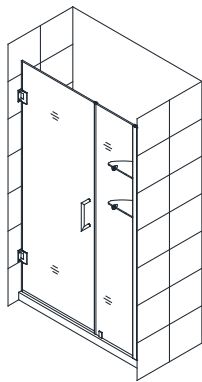
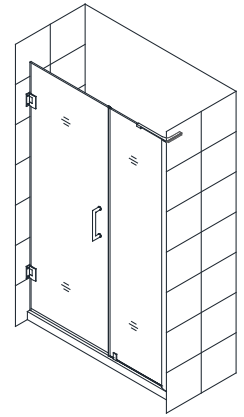
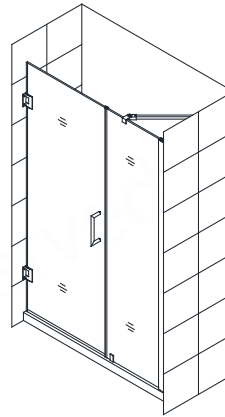
STYLE A

UNIDOOR / UNIDOOR-LS / UNIDOOR EDGE
Single Shower Door 23"-30" (**EDGE** model=24")
*refer to the **Detailed Diagram** on **Page 9**
of this manual to begin the installation.



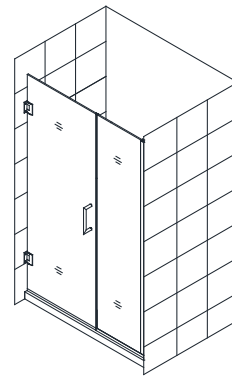
STYLE B *

UNIDOOR Shower Door 23" - 30" with a 6" -30" inline panel;
(12"-30" inline panel includes Support Bar); Adjustable Wall Profile System
UNIDOOR-LS Shower Door 23"-30" with 6"-30" inline panel
(12"-30" inline panel includes an L-Bar™); back-to-back handle;
Adjustable Wall Profile System



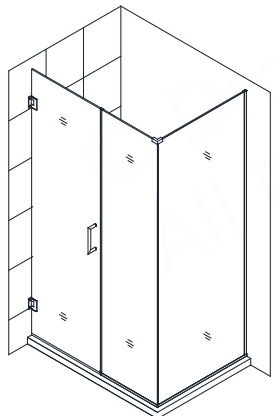
STYLE C *

UNIDOOR Shower Door 23"-30" with 12"-30"
inline panel with Support Shelves and
Adjustable Wall Profile System



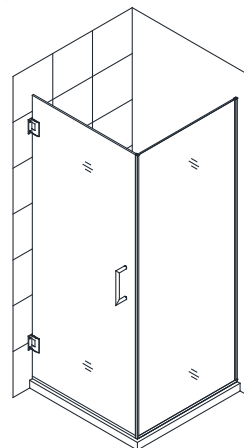
STYLE F *

UNIDOOR PLUS Shower Door 23"-30" with 6"-34"
inline panel installed with U-Channels



STYLE I *

UNIDOOR PLUS Shower Enclosure with
6"-34" inline panel and 30"-34" return panel
installed with U-Channels



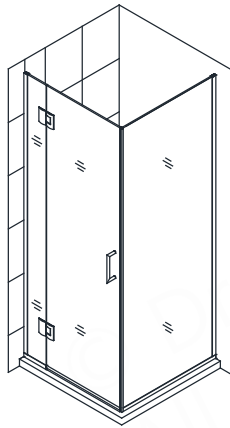
STYLE L *

UNIDOOR PLUS Shower Enclosure with 30"
return panel installed with U-Channels

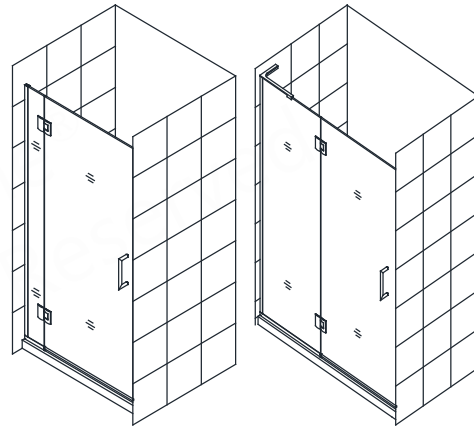
UNIDOOR-X Styles

left door-swing installations shown

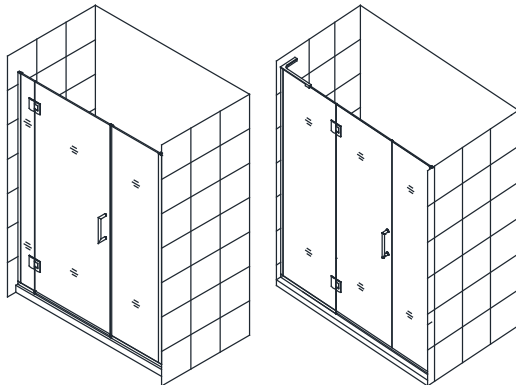
UNIDOOR-X (with glass-to-glass hinges)



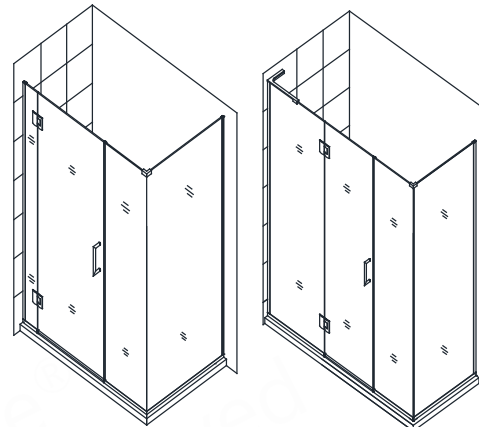
STYLE L1 *^°
UNIDOOR-X Shower 23"-30"
with 6" hinge panel and 30" or 34"
full height return panel installed
with U-Channels



STYLE M *^°
UNIDOOR-X Shower Door 23"-30"
with 6" or 24" hinge panel installed
with U-Channels



STYLE M1 *^°
UNIDOOR-X Shower Door 23"-30"
with 6" or 24" hinge panel and
with 6", 6-1/2", 14", 14-1/2", 22",
or 22-1/2" full height inline panel
installed with U-Channels



STYLE M3 *^°
UNIDOOR-X Shower Door 23"-30" with
6" or 24" hinge panel with 6", 6-1/2",
14", 14-1/2", 22", 22-1/2" full height
inline panel and 30" or 34" full height
return panel installed with U-Channels

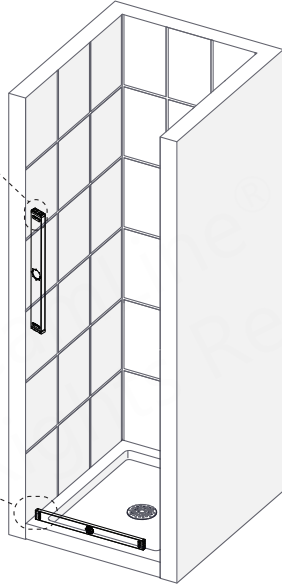
NOTE

- * For the panel installation instructions, please refer to the separate manual included in the panel glass packaging.
- ^ For the Unidoor-X glass-to-glass door installation instructions, please refer to the separate manual included in the hinge panel glass packaging.
- ° Additional support required for hinge panel glass installation:
6" hinge panel requires a hinge panel glass bracket; 24" hinge panel requires an L-Bar™

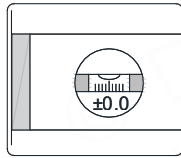
Model Specific Preparation

REQUIRED:

No Adjustment for Out-of-Plumb; Verify finished walls with a level

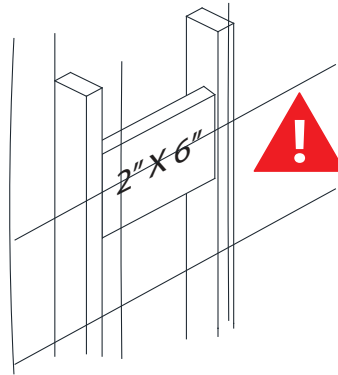


Threshold must be level



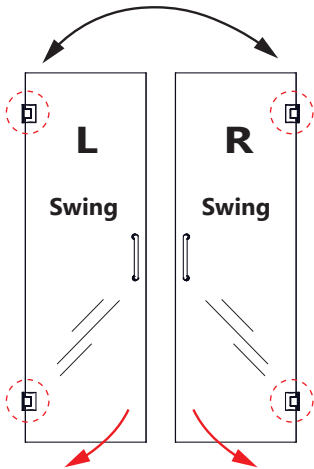
The PVC Hinge Spacers (#31) can be used to compensate for a minor out-of-plumb condition on the hinge-side wall up to 1/4" (6mm) and should only be used behind ONE Hinge Assembly (#05). Confirm the finished wall conditions with a level before drilling any holes. Unnecessary use of these spacers can compromise the fit of the door. (see Page 13 for more information)

Leave corner protectors on the glass until it is necessary to remove them!

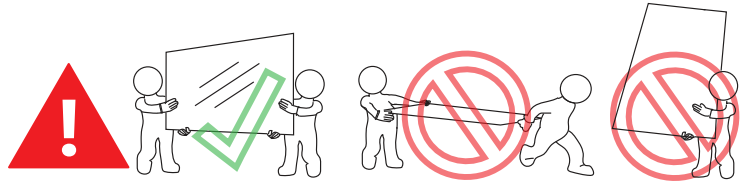


The glass-to-wall hinges require installation into a double stud or 2x6 wood reinforcement. (see page 3 for more information)

DO NOT attach the Handle to the Door Glass until instructed. **DO NOT** use the handle to lift the glass during installation. This may result in damage to the glass and/or serious personal injury. Always use an assistant and/or a professional-grade glass suction cup when handling heavy glass panels.



The UNIDOOR Series doors and enclosures are reversible for right or left-swing installation. The left-swing installation is shown as an example throughout this manual. For the right-swing installation, simply begin on the opposite wall and reverse the orientation of the steps shown.

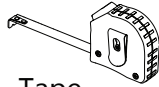


Professional installation and two installers recommended for this model.

Tools



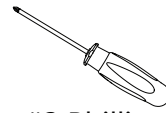
Level



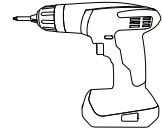
Tape Measure



Pencil



#2 Phillips Screwdriver



Power Drill



#2 Phillips driver bit



Extended driver bit



Drill Bit
Ø1/8"
(3mm)



Drill Bit
Ø1/4"
(6mm)



Diamond-Tipped
Drill Bit Ø1/4" (6mm)
(Optional--for porcelain tile)



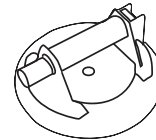
Razor Knife



Safety Glasses



Work Gloves



Professional-grade
Glass suction cup
(Optional but Recommended)



Verify that the correct model size has been ordered: measure the finished opening **before** proceeding with the installation.

Confirm that the finished walls are plumb and the threshold is level and pitched into the shower area.

Cover the shower/tub drain with tape prior to installation to prevent the loss of screws or small parts.

To prevent stripping the screw heads, set power drill to a low setting when installing screws.

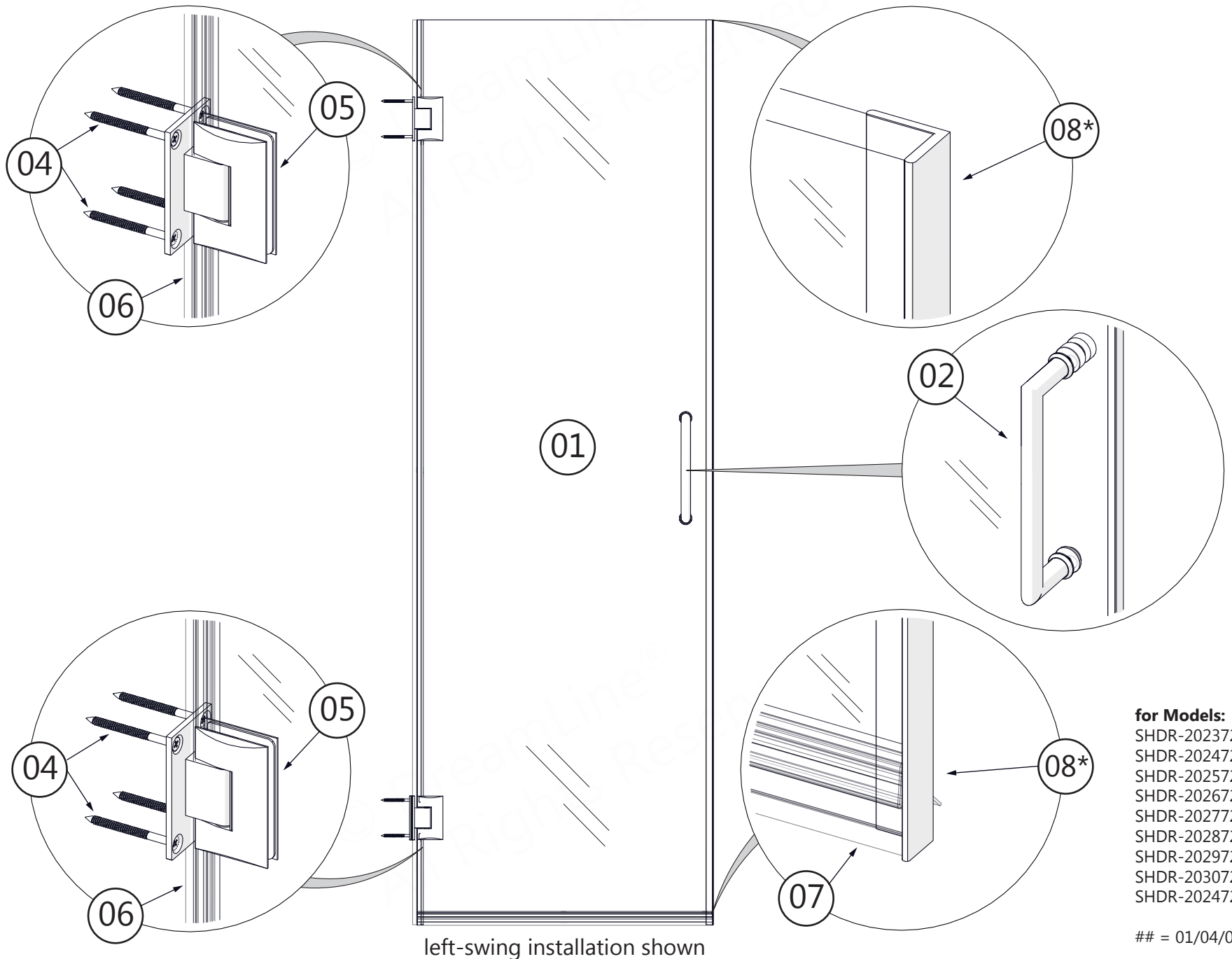


Unpack your unit carefully and inspect it. Lay it out and identify all parts using the **Detailed Diagram** on **page 9** and the included packing list in this manual as a reference. Before discarding the carton, check for small hardware bags that may have fallen to the bottom of the box. If any parts are damaged or missing, please contact DreamLine® for replacement. The shipping boxes may contain extra parts not used in your model configuration.



Retain these installation instructions for future reference.

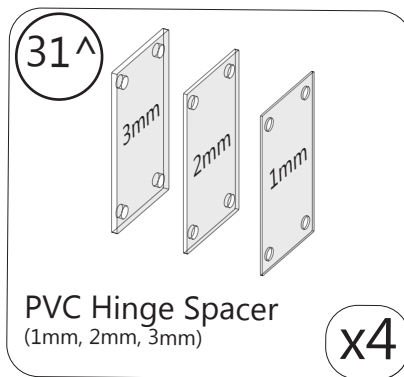
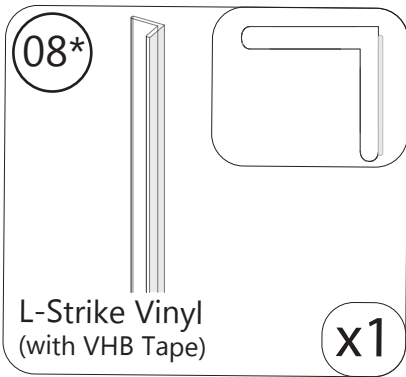
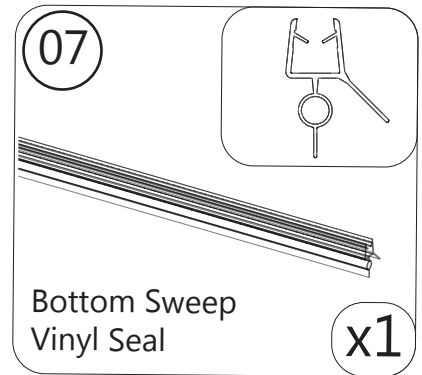
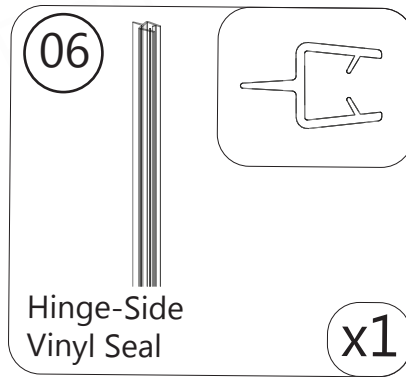
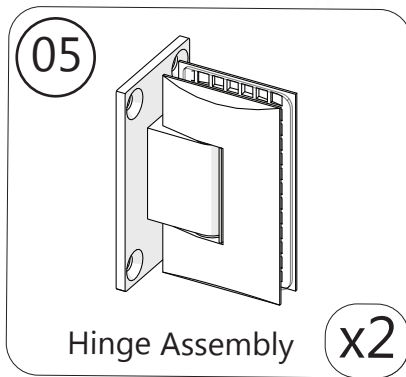
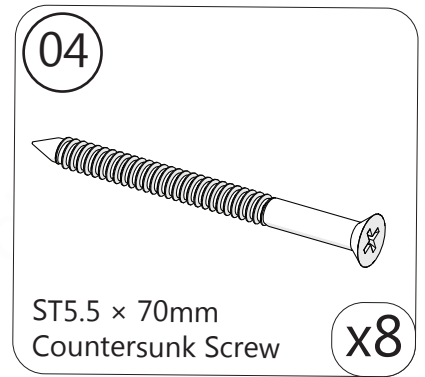
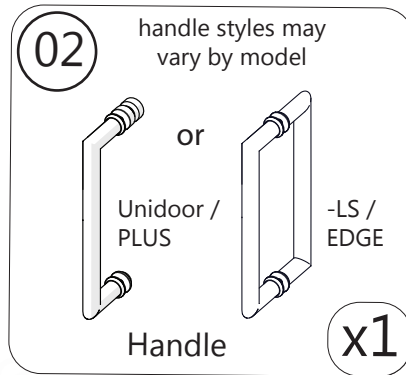
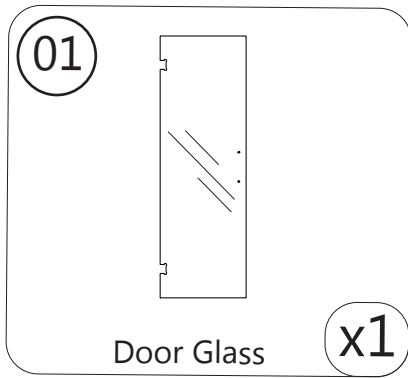
Detailed Diagram of Shower Door Components



for Models:
 SHDR-20237210F-##
 SHDR-20247210F-##
 SHDR-20257210F-##
 SHDR-20267210F-##
 SHDR-20277210F-##
 SHDR-20287210F-##
 SHDR-20297210F-##
 SHDR-20307210F-##
 SHDR-202472E-89

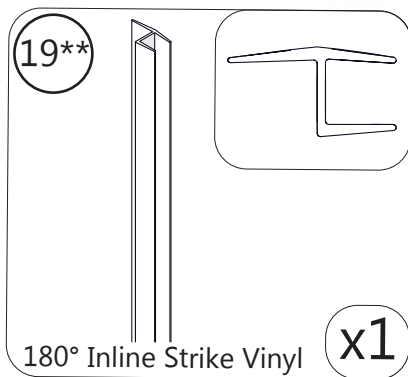
= 01/04/06/09/89

Parts List



* item #08 (L-Strike Vinyl with VHB Tape) used with single door installation only

^item #31 (PVC Hinge Spacer) use only as necessary

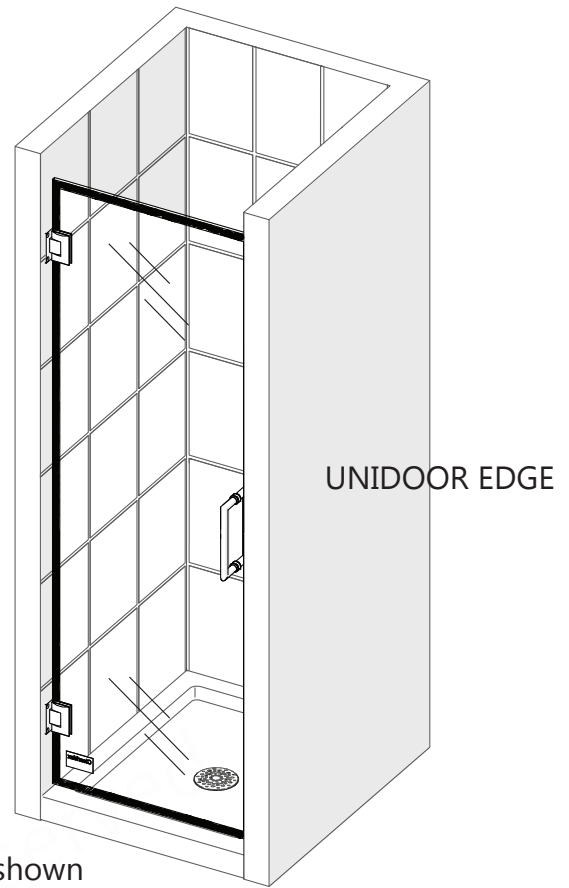
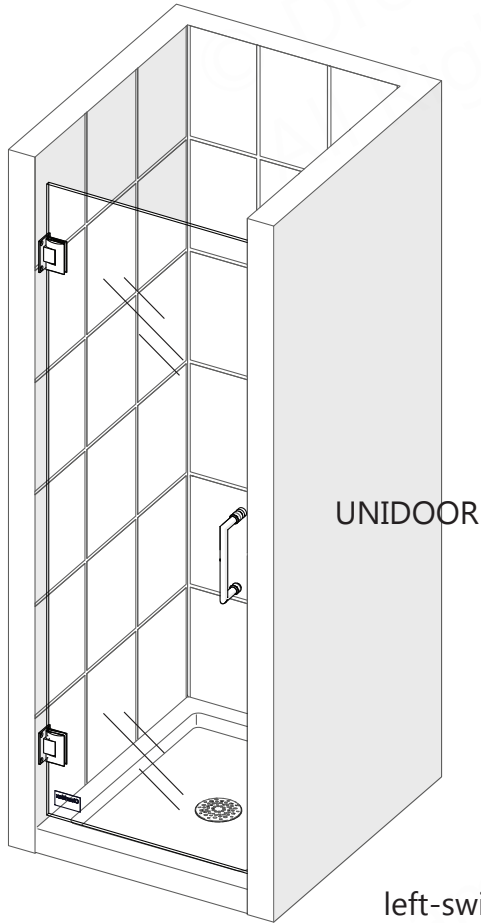


** item #19 (180° strike vinyl) ships with the UNIDOOR EDGE door glass and is **not used** with single door installation

Specifications

NOTE

The following shower door installation instructions should be used as a general guide and prerequisite to the installation of the UNIDOOR, UNIDOOR PLUS, UNIDOOR-LS, UNIDOOR EDGE models. (for Unidoor-X models, use the manual packaged with the hinge panel glass in place of this manual). Before you begin the installation, check your finished opening size. Specific model size information can be found in the Tech Drawings on DreamLine.com

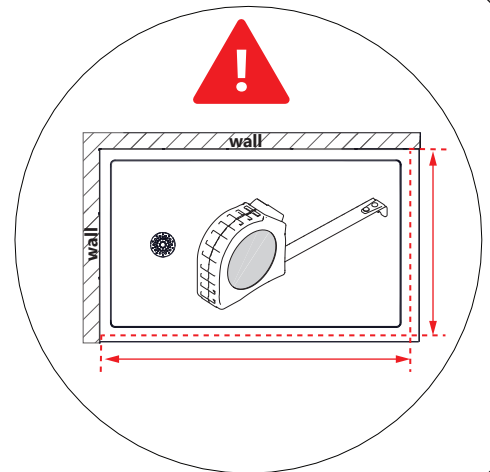


left-swing installation shown



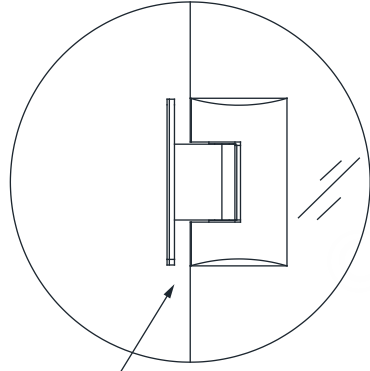
For Enclosure Models that include Return Panel Glass:
Styles: I, J, L, L1, M3 and M4

FIRST, before starting the door installation, it is important to review the Shower Enclosure Plan and Overview in the manual that is packaged with the Return Panel Glass to verify the model dimensions for proper placement of the Door Glass (#01) for accurate alignment with the Enclosure Panel Glass.



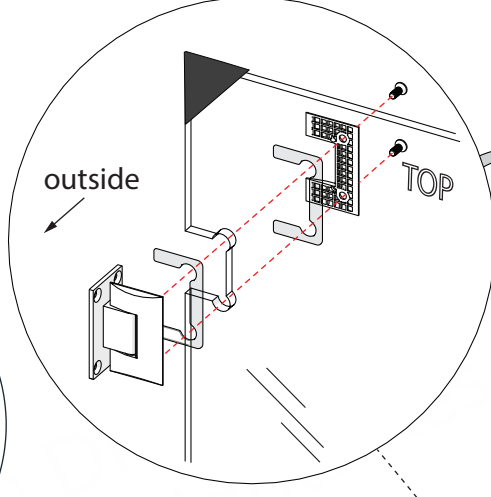
1

Installation Steps



Install the hinges centered in the cutout and flush with the edge of the Door Glass

The door glass can be flipped for left or right swing installation. However, the ClearMax label must be on the inside.



Fully and evenly tighten the hinge bolts by hand. It is normal to hear the gaskets compress onto the glass.

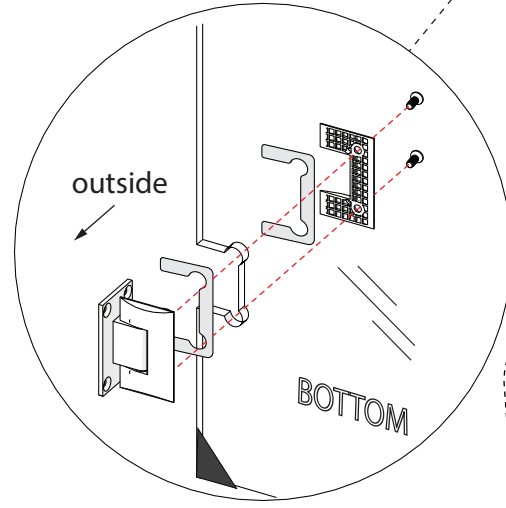


Fig 1

left-swing installation shown



The Adjustable Hinge Assemblies are factory pre-set to overclose to 85° to create a tight seal with the Strike Vinyl. See Page 21 for Hinge Adjustment details after installation.

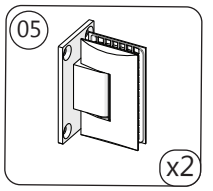
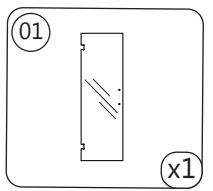


Clean the **Hinge gaskets** and the glass around the hinge notch with an alcohol swab or glass cleaner prior to attaching the **Hinge Assemblies (#05)** to the **Door Glass (#01)**.

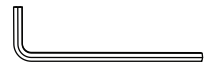


Never set glass down directly onto a tile or concrete floor surface. Always use a piece of wood or cardboard and leave the corner protectors and shims on the glass until it becomes necessary to remove them. Always protect the bottom edge and corners of the glass from damage which could lead to breakage and/or serious personal injury.

Parts Needed

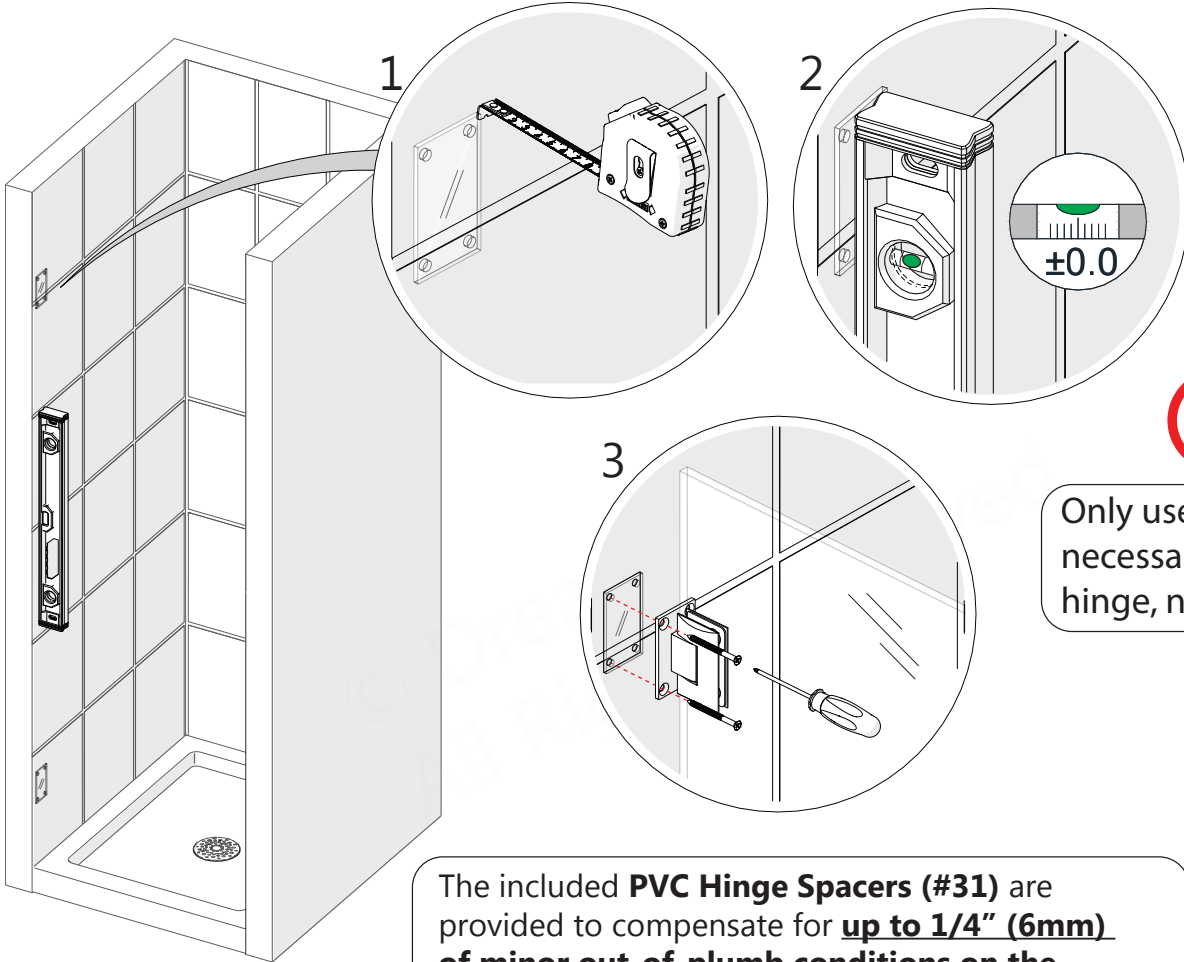
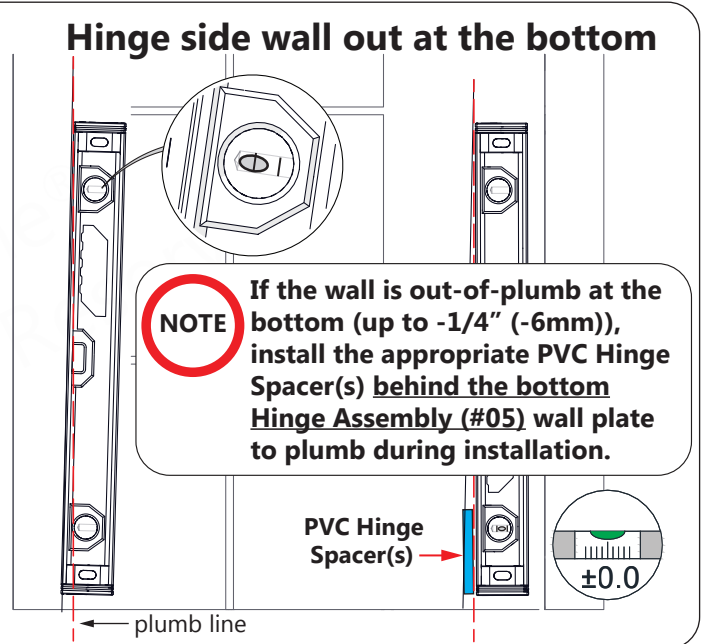
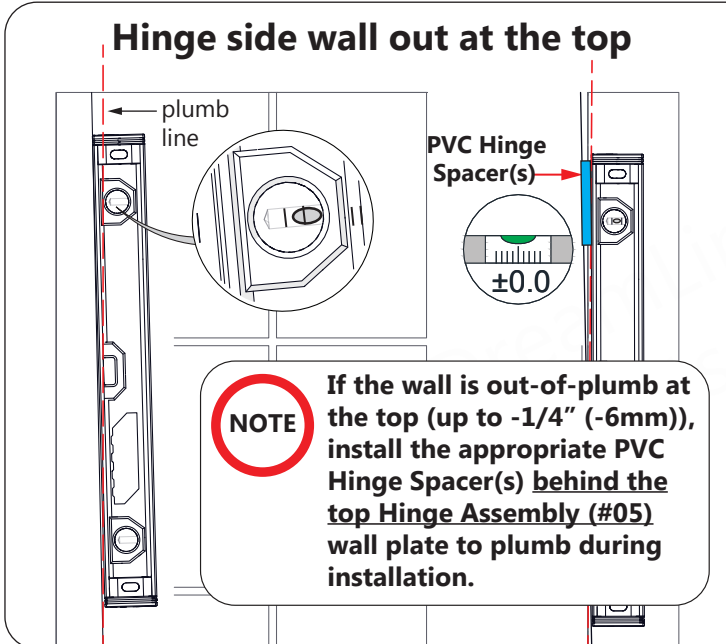


Tools Needed



1a

PVC Hinge Spacer Information (use only if necessary)



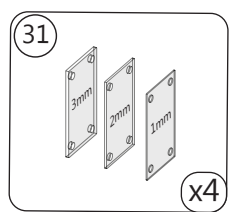
NOTE
Only use spacer(s) as necessary behind one hinge, not both.

Fig 1a

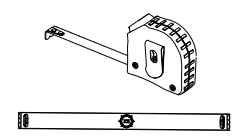


The included **PVC Hinge Spacers (#31)** are provided to compensate for up to 1/4" (6mm) of minor out-of-plumb conditions on the hinge-side wall. Unnecessary use of the PVC Hinge Spacers could reduce the required opening size for the door glass.

Parts Needed



Tools Needed



2

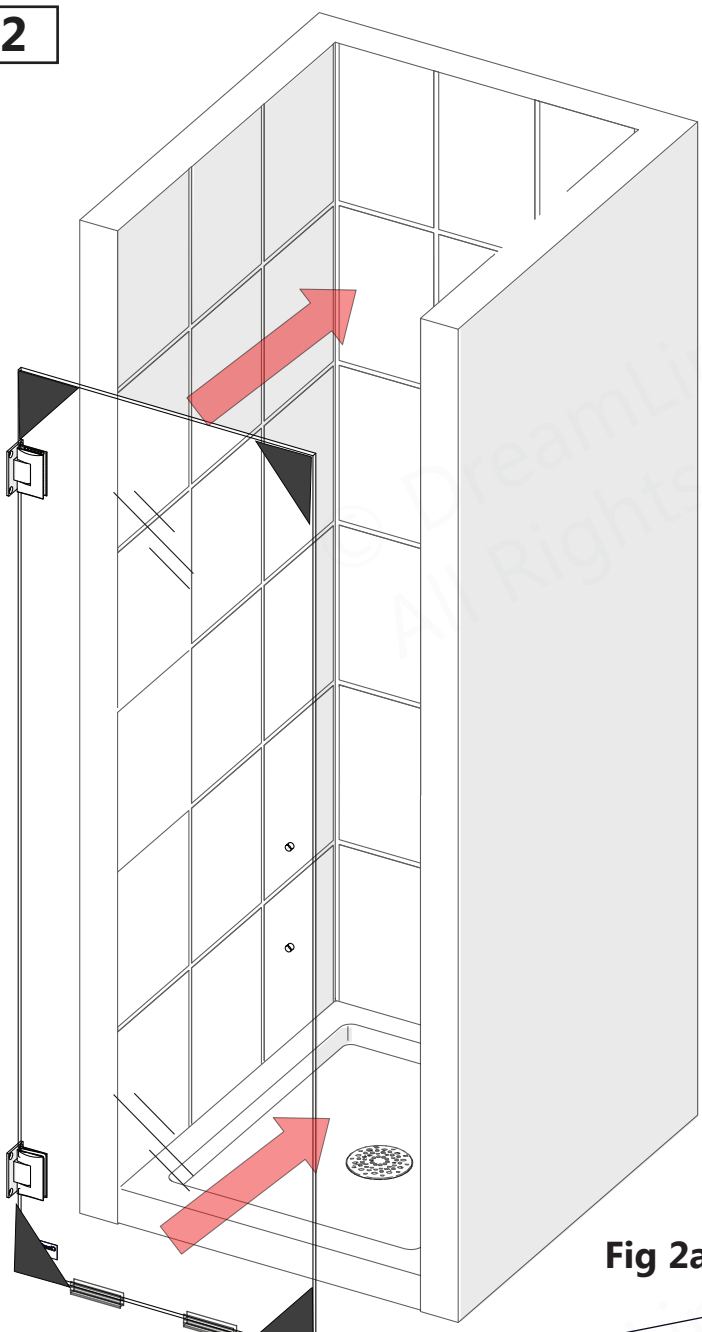


Fig 2a

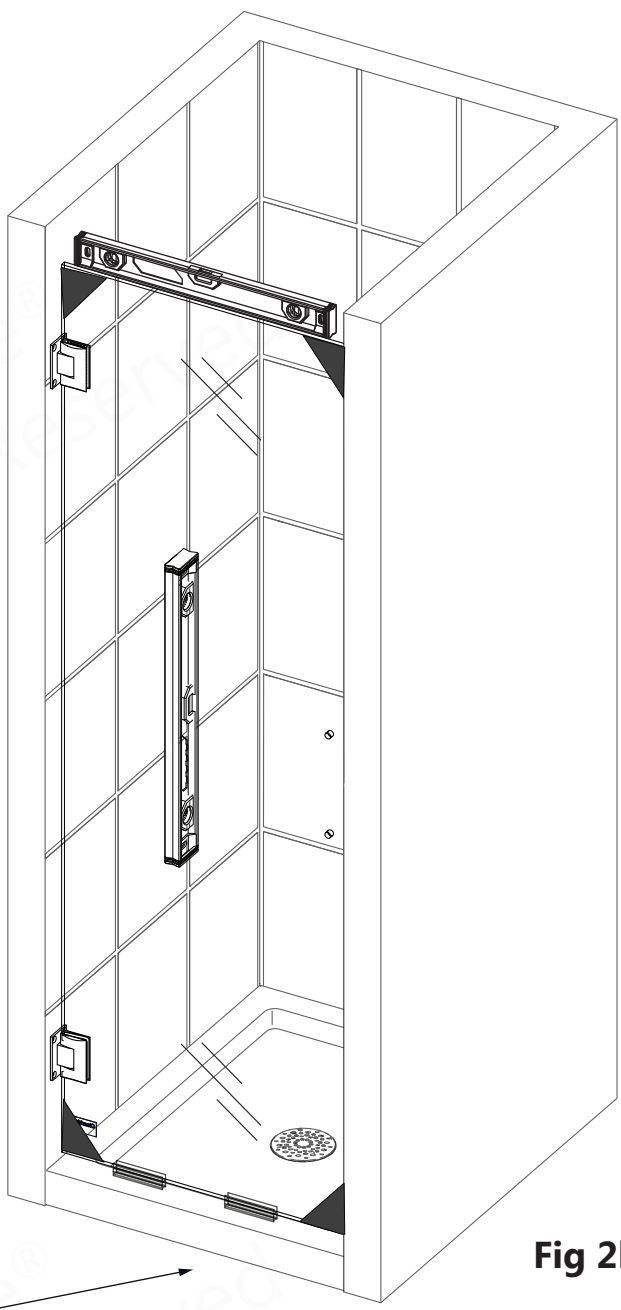
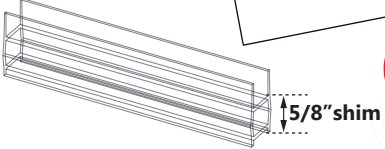


Fig 2b

left-swing installation shown



5/8" shim

NOTE

Use the provided $5/8"$ (16mm) spacer shims when positioning the **Door Glass (#01)** to maintain the proper spacing between the bottom of the Door Glass and the threshold. Secure the spacers to the glass with tape if necessary. ($5/8"$ (15.9 mm) wood or plastic shims may also be used on the threshold)

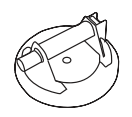


Check the **Door Glass (#01)** with a level to verify it is plumb BEFORE marking the **Hinge Assembly (#05)** positions on the wall.



Use the 72" (1829 mm) **L-Strike Vinyl (#08)** or **180° Inline Strike Vinyl (#19)** as a height reference to be sure that the installed Door Glass height will be 72" (1829 mm). This is especially important when installing the door along with panel glass.

Tools Needed



3

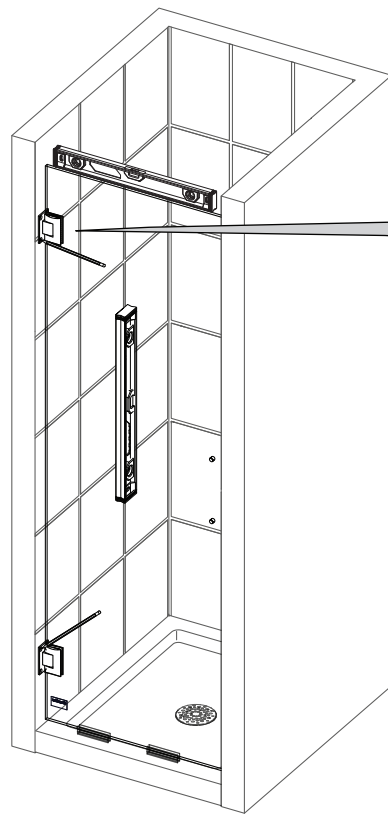
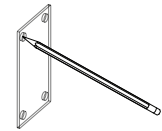
**Door Glass Installation OPTION A:
(Install Door Glass with the hinges attached)**

TIP

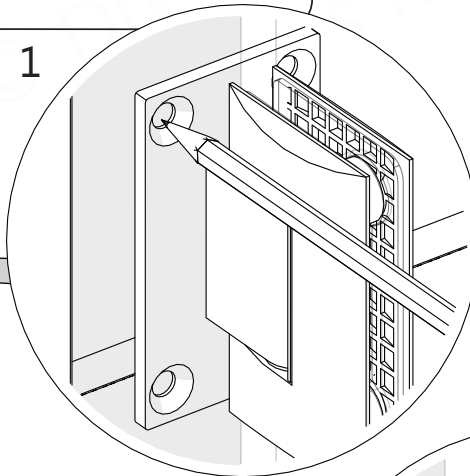
Use caution while installing the hinge to the wall to avoid scratching the finished surface of the **Hinge Assembly (#05)** face plates. The manufacturer recommends using an extension driver bit to install these long screws. Painter's Tape can also be used on the face plates to protect the hinge finish.

TIP

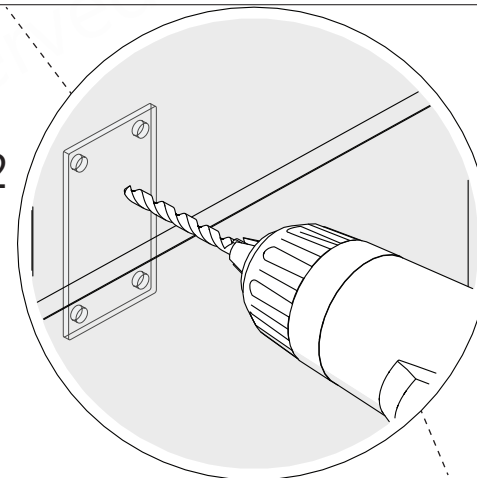
The **PVC Hinge Spacers (#31)** can be used as a template when marking the hinge mounting holes



1



2

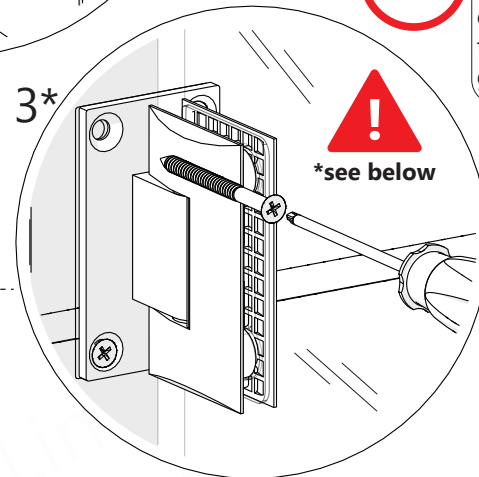


NOTE

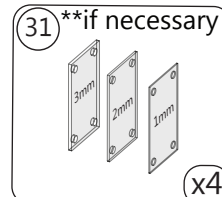
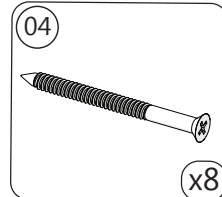
Use a diamond-tipped bit and low torque when drilling into porcelain or other hard tile surface. Follow the drill bit manufacturer's guidelines for proper use.

To prevent stripping the screw heads, use low torque and steady pressure when installing the screws. Make sure to drill Ø1/8" (3mm) pilot holes into the studs.

3*



!
*see below



NOTE

Fig 3

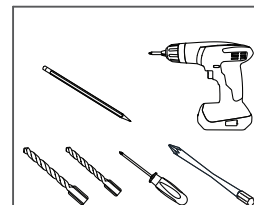
For installation into a **stud** or other **wood reinforcement** behind the finished wall (**Required**):

- drill a Ø1/4" (6mm) hole up to the stud, drill an Ø1/8" (3mm) pilot hole into the stud and use the **ST5.5 x 70mm Countersunk Screws (#04)**.

!

***If Minor Out-of-Plumb Conditions were found in Step 1a:**

Use the appropriate **PVC Hinge Spacer(s) (#31)** behind the **Hinge Assembly (#05)** before securing them to the wall with the **ST5.5 x 70mm Countersunk Screws (#04)** (see pg 11)

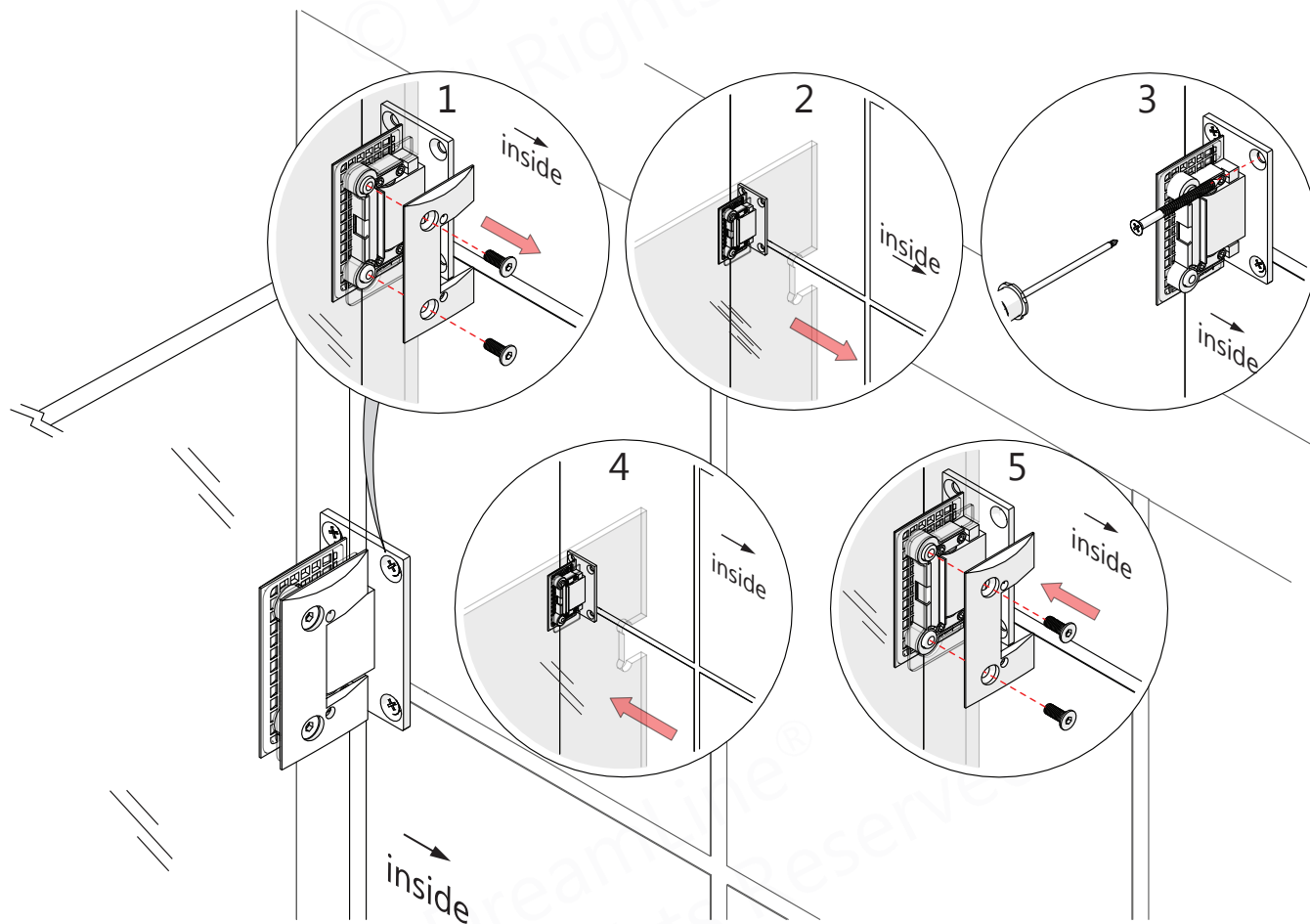


4 Door Glass Installation OPTION B: (Install the Hinges to the wall First):

Mark holes for drilling. Remove the hinges from the door glass. Drill the holes and attach the hinges to the wall. Set the **Door Glass (#01)** onto the 5/8" shims and use an assistant to install the door glass onto the hinges.



Use caution when installing the hinges to the wall to avoid scratching the finished surface of the **Hinge Assembly (#05)** face plates. The manufacturer recommends using an extension driver bit to install these long screws. Painter's Tape can also be used to protect the hinge plates.

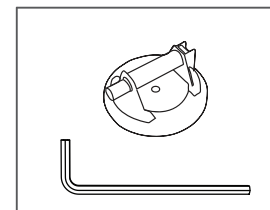


Fully and evenly tighten the hinge bolts by hand. It is normal to hear the gaskets compressing onto the glass.

Fig 4



Refer to the **Hinge Assembly Adjustment Procedure** on **page 20** to adjust the closing angle of the **Hinge Assemblies (#05)** after the door glass has been installed.



5

Handle Assembly Installation

(handle style may vary by model)

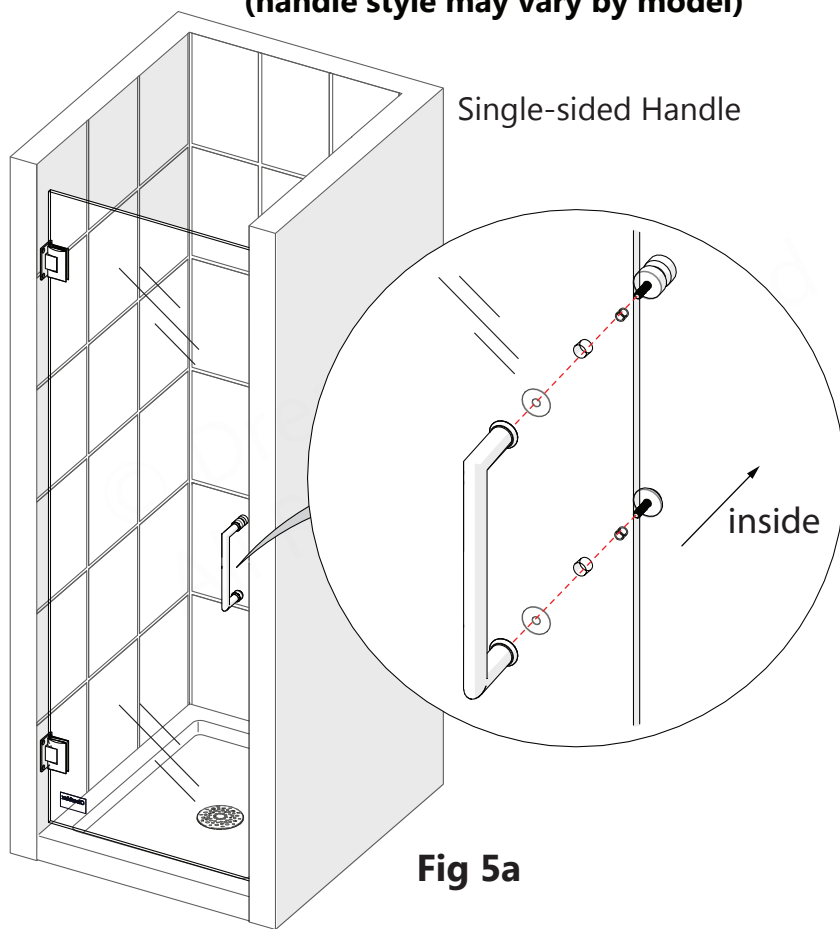


Fig 5a

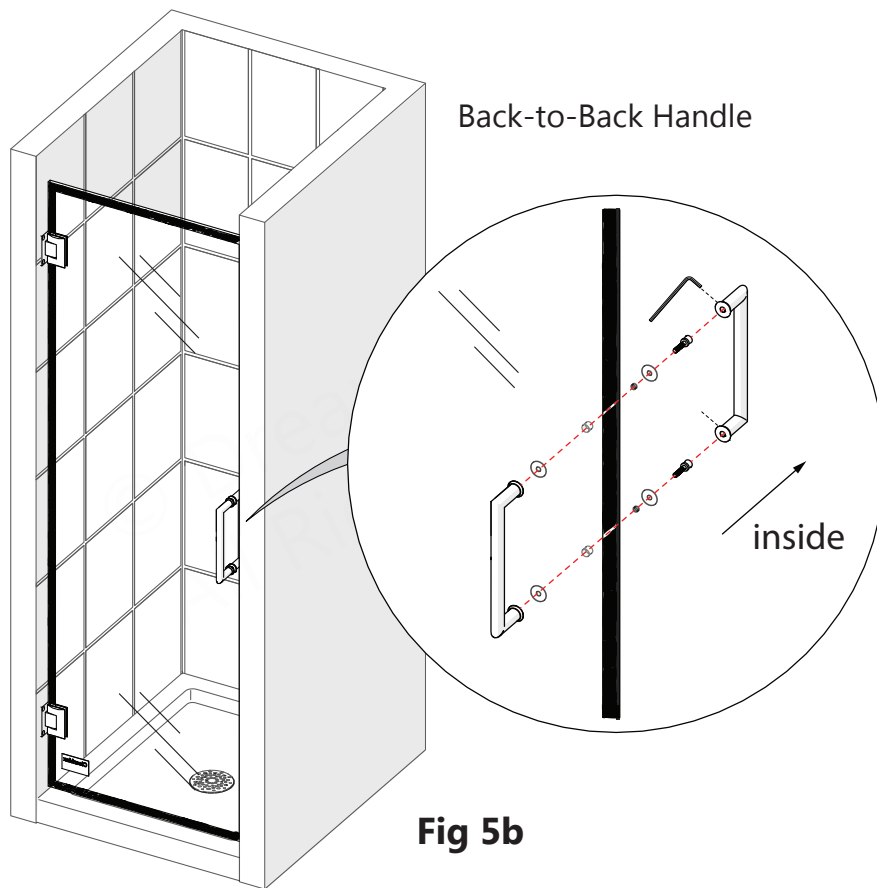
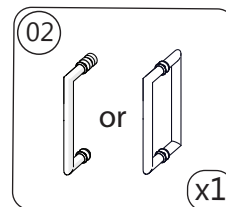


Fig 5b

left-swing installation shown

Parts Needed



Tools Needed



6

Sweep Vinyl Seal Installation

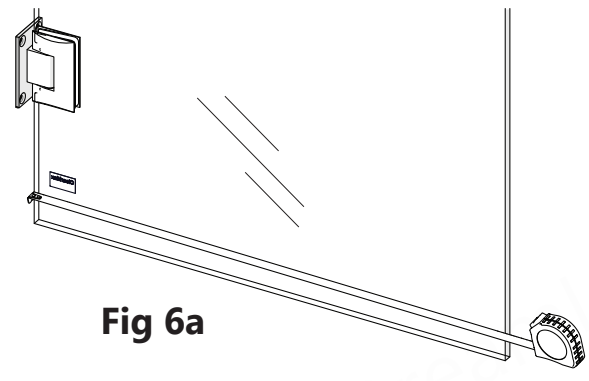


Fig 6a

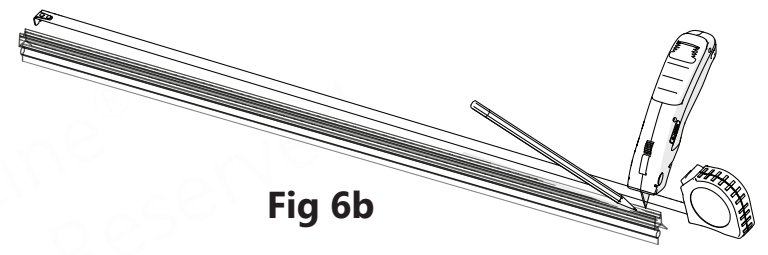


Fig 6b

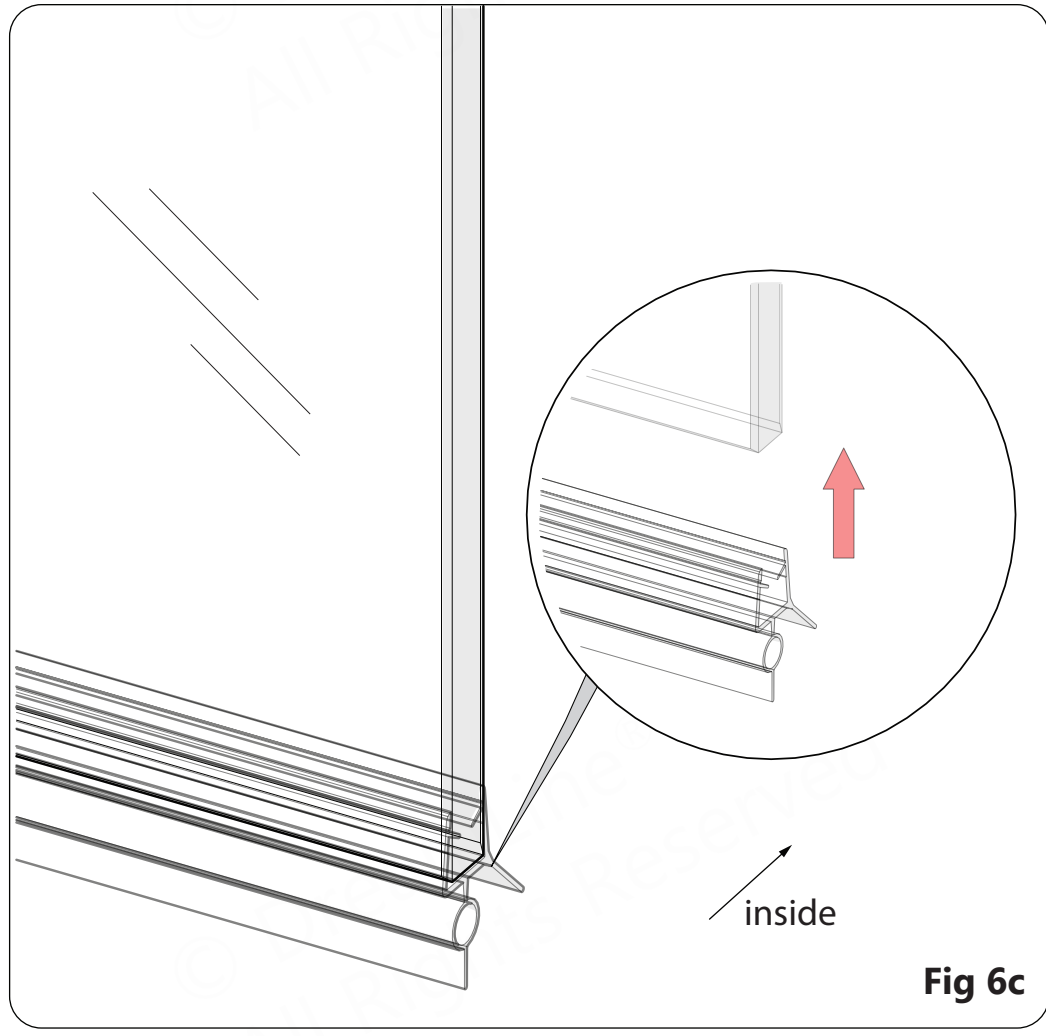
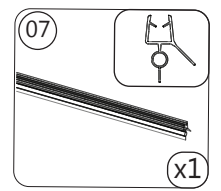
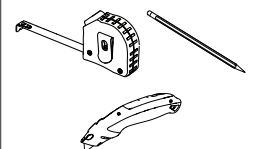


Fig 6c

Parts Needed



Tools Needed



NOTE If necessary, cut the **Bottom Sweep Vinyl Seal (#07)** to match the width of the **Door Glass (#01)**.



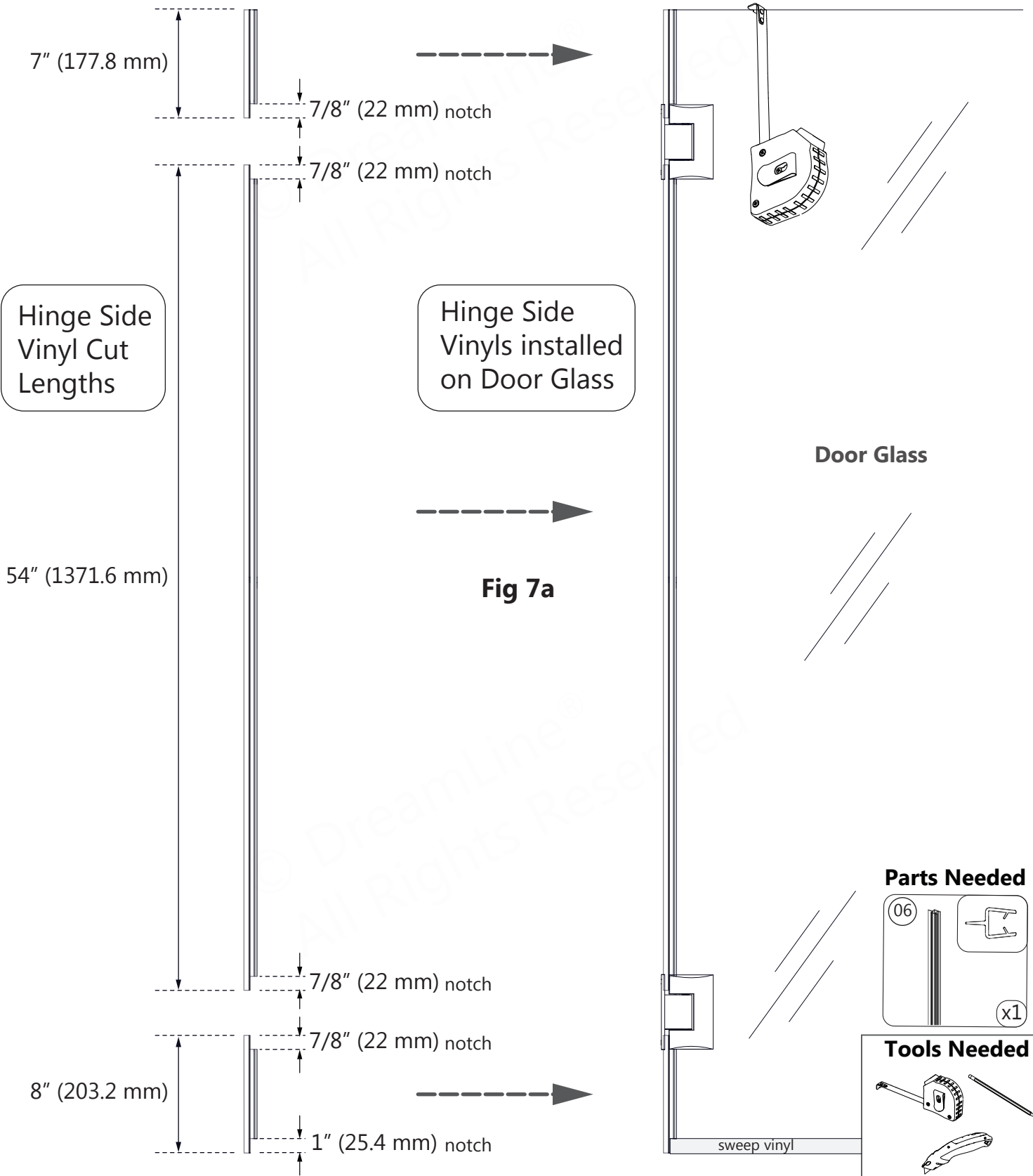
NOTE Press the **Bottom Sweep Vinyl Seal (#07)** onto the bottom edge of the **Door Glass (#01)**.

Hinge Side Vinyl Seal Installation

7a

NOTE

Cut the **Hinge Side Vinyl Seal (#06)** into three sections with a razor utility knife and notch according to the diagram below to fit around the hinges and sweep vinyl to prevent leakage. **Fig 7a**



Hinge Side Vinyl Seal Installation

7b

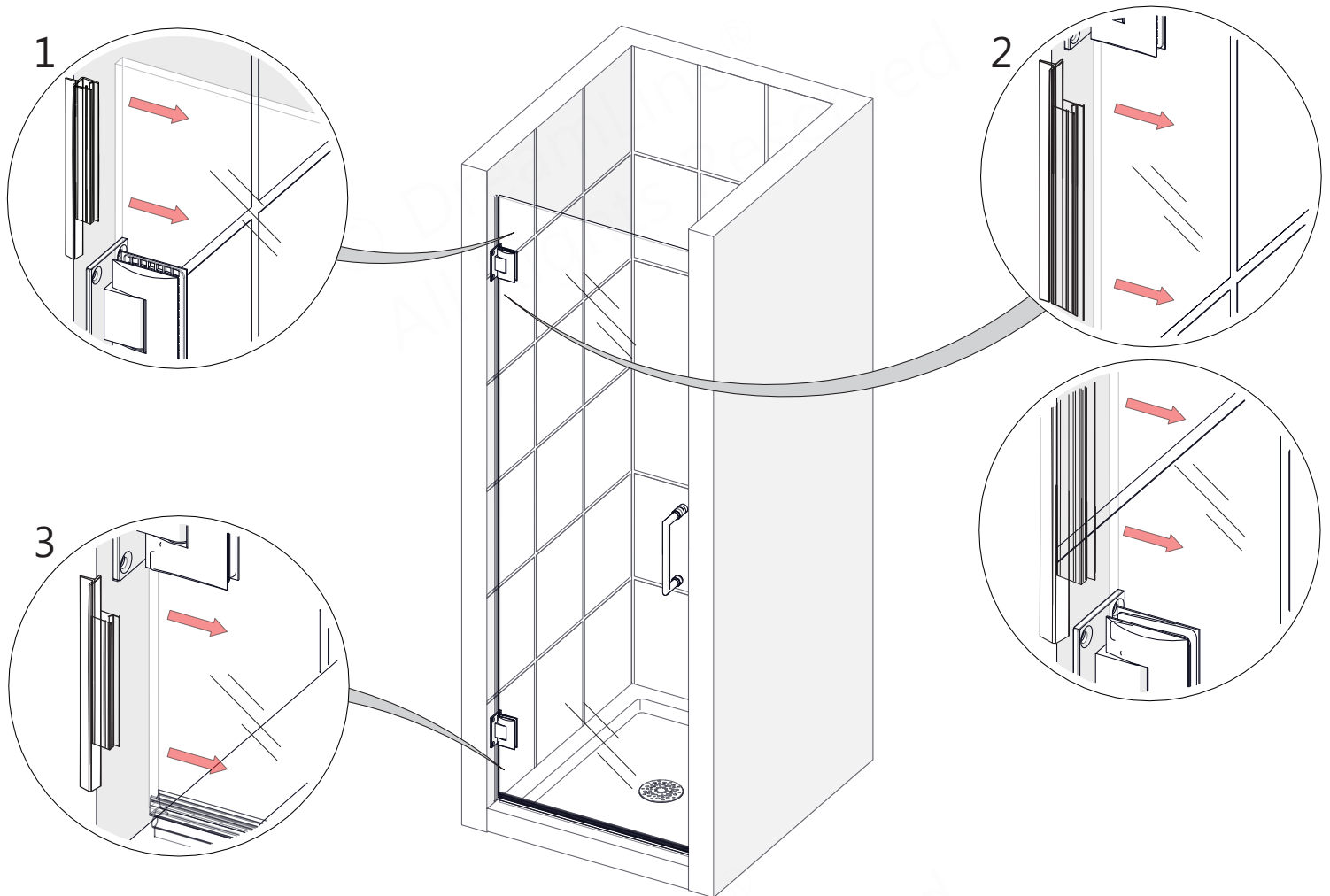


Fig 7b

left-swing installation shown



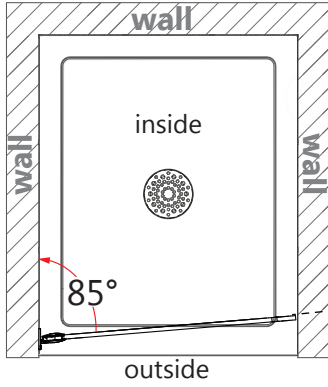
This completes the installation of the Door Glass.

- **For Single Shower Door installation, proceed to the next step.**
- **For models that include additional Panel Glass: Refer to the manual that is packaged with the Panel Glass to continue with the installation.**

Hinge Assembly Adjustment

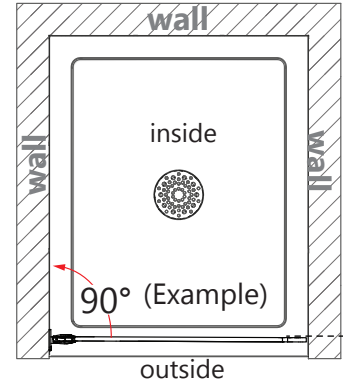


The hinge assemblies are preset to overclose to 85° for a tight seal against the strike vinyl. The adjustment feature on the hinge assemblies is used to change the closing angle of the door only. For single door models, make any adjustments to the hinges before installing the L-Strike vinyl w/VHB tape in **Step #8**. Both the top and bottom Hinge Assemblies must be adjusted at the same time and to the same angle during adjustment.



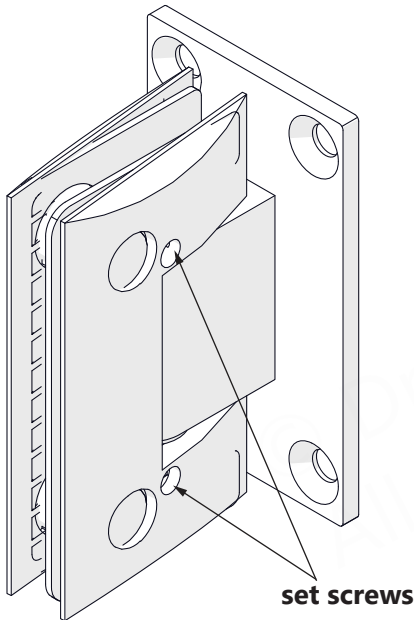
hinges adjusted to overclose before installing the strike vinyl seal

The Adjustable Hinge Assemblies are factory pre-set to overclose to 85° to create a tight seal with the Strike Vinyl. If strike vinyl is not used, the hinges can be adjusted to close to a different angle (90° for example).



Overview of UNIDOOR left-swing installation shown

How to Adjust the Hinge Assemblies



Once the **Door Glass (#01)** is installed:

- Hold the door in the closed position and loosen the adjustment set screws on **both** hinges with the supplied Allen Key
- Move the door to the new desired closed position
- While holding the door in the new closed position, retighten the set screws on **both** hinges
- The Door Glass will now close to the new closed position



Do not adjust the hinges separately or before installation. This could lead to problems with the hinges operating together correctly.



To prevent water leakage, adjust the **Hinge Assemblies (#05)** to overclose so the Door Glass creates a tight seal with the **L-Strike Vinyl Seal (#08)** (for single shower door models) or the **Strike Vinyl Seal** included with the Inline Panel or Return Panel Glass.

Tools Needed



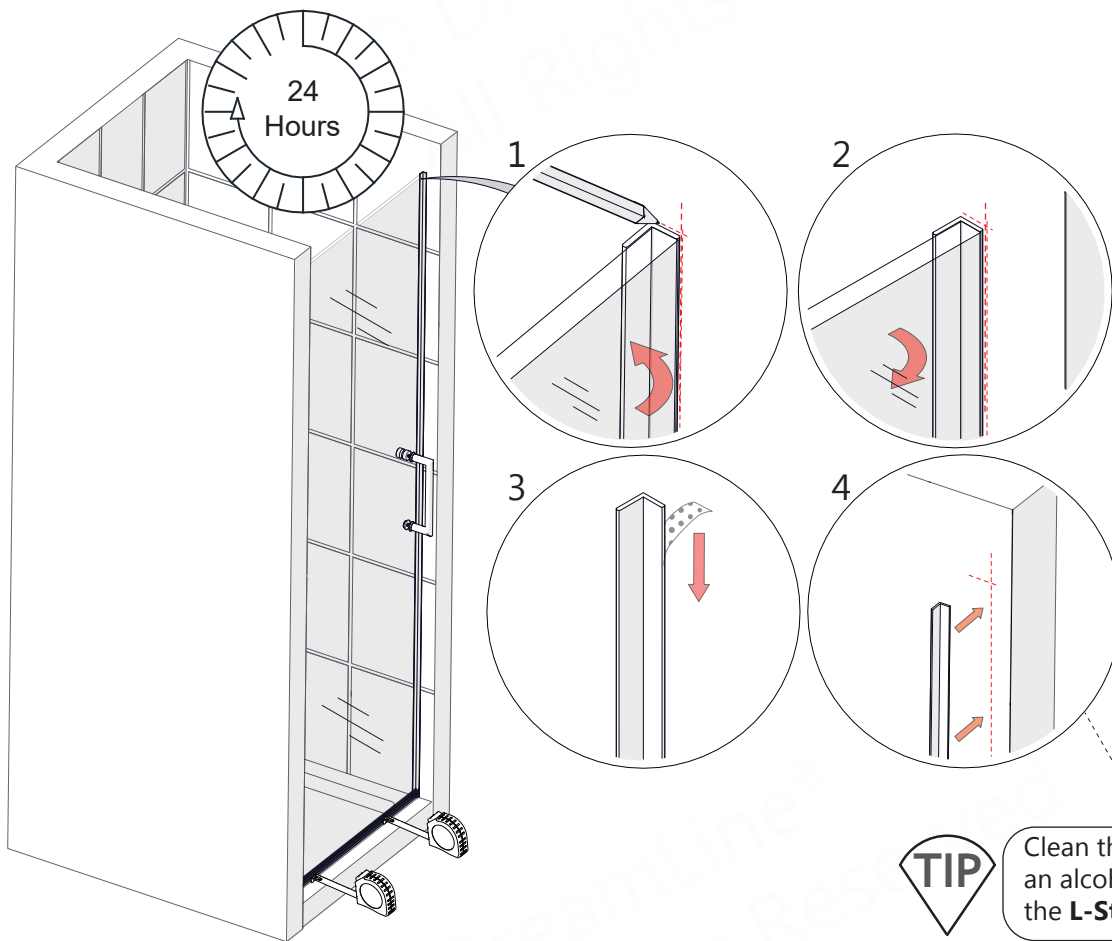
L-Strike Vinyl Seal Installation (for single shower door installation only)

NOTE

The surfaces need to be clean and free of debris before installing the L-Strike Vinyl Seal (#08)



Before attaching the **L-Strike Vinyl Seal (#08)** to the wall, make sure the **hinges** are set to overclose when in the closed position. Refer to **page 21** for more information on the adjustable **Hinge Assemblies (#05)**.

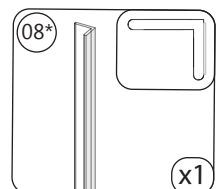


left-swing installation shown

NOTE

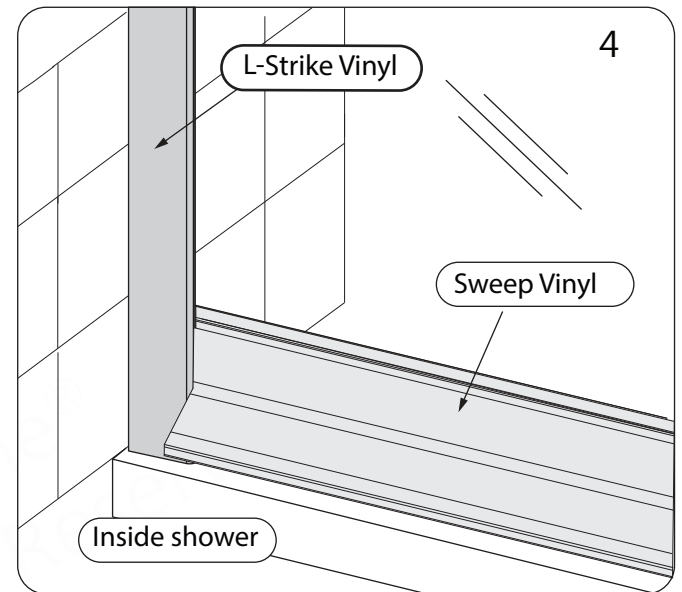
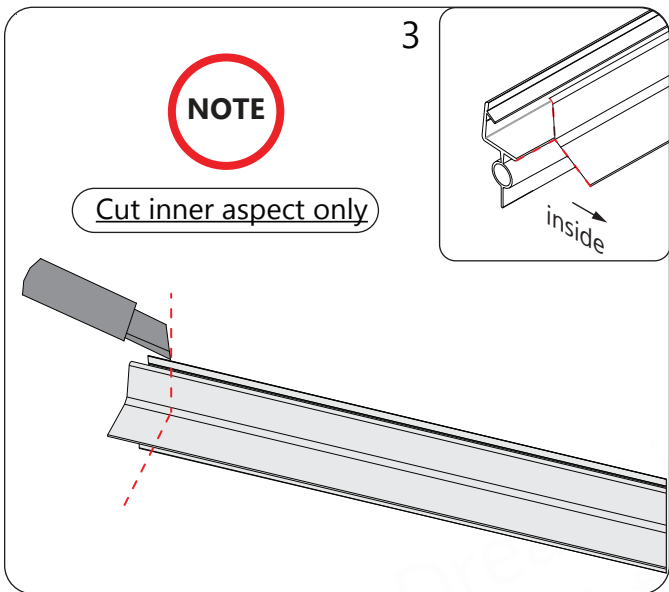
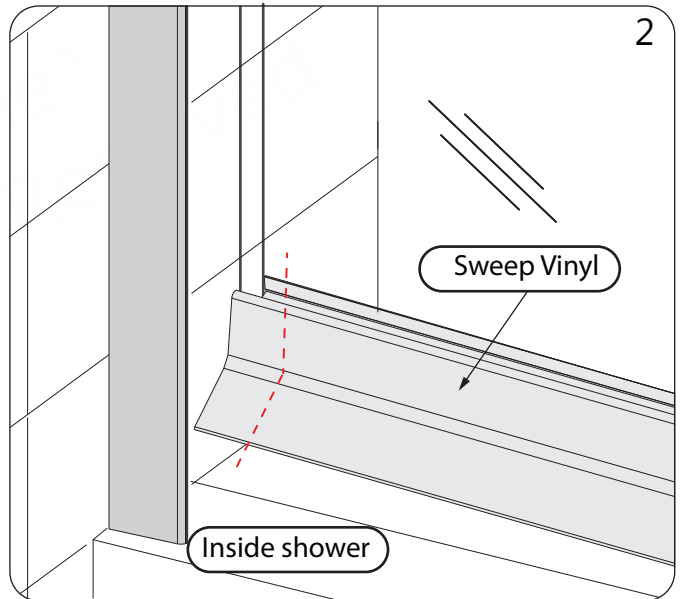
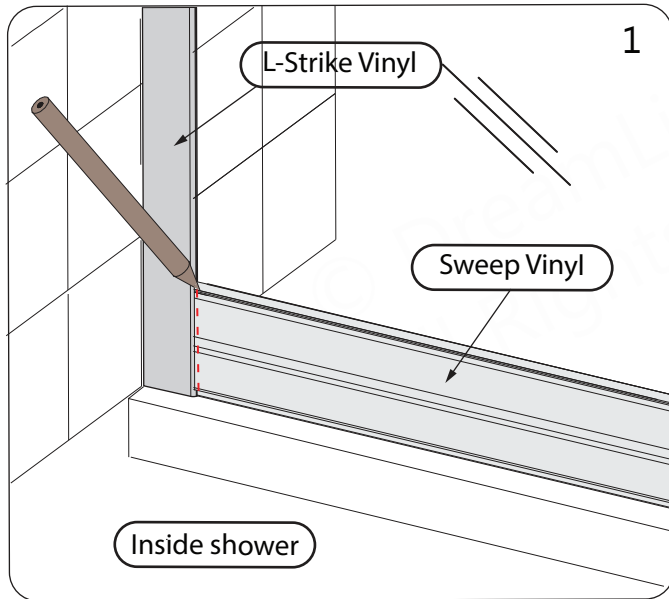
Hold the door in the closed position, parallel with the threshold, to mark the location of the **L-Strike Vinyl Seal (#08)**. The adhesive will work best if you **Allow 24 hours for the adhesive to fully set before use!**

Parts Needed



Bottom Sweep Vinyl - Tip

TIP Notch the **Bottom Sweep Vinyl (#07)** on the inside where it overlaps the Strike Vinyl.



Product Maintenance

BASES and BACKWALLS: To ensure long lasting life for your acrylic back walls: wipe them off after each use with a soft cloth. To clean the acrylic back walls use non-abrasive sprays or cream based cleaners. Avoid the use of aerosol spray cleaners. Never use abrasive cleansers, metal brushes or scrapers that could permanently scratch or dull the surface.

GLASS: To ensure long lasting life for your glass shower products: wipe them off after each use with a soft cloth. Rinse and wipe off the glass using either a soft cloth or a squeegee to prevent soap buildup and water spots (Hard water can etch the surface of the glass over time if left to dry). To prevent scratching the surface: never use abrasive cleaners or cleaning products that contain scouring agents. Never use bristle brushes or abrasive sponges that may scratch the surface of the glass.

HARDWARE: To ensure a long lasting finish: wipe off all metal parts after each use with a soft cloth. Do not use abrasive cleaners or cleaning products containing ammonia, bleach or acid. If accidentally used, rinse the surface as soon as possible to prevent damage to the finish (peeling or corrosion). After cleaning the polished finishes, rinse thoroughly and wipe dry with a soft clean-cloth. Clean stainless steel surfaces at least once a week. When applying stainless steel cleaner or polish to stainless steel hardware, work with the grain (not across the grain). Never use an abrasive sponge or cloth, steel wool or wired brush as these may permanently scratch the surfaces.



To maximize the life of your door, it is important to regularly inspect the glass and other hardware for misalignment, proper attachment, and/or damage. Contact DreamLine® with any questions or concerns.

UNIDOOR Series (STYLE A) / UNIDOOR EDGE Single Door Maintenance Checklist

- Check that the unit is stable, operates smoothly and that the installation is secure
- Confirm that all screws are tight
- Confirm that all vinyl seals are intact (replace if missing or damaged to prevent water leakage)
- Inspect exposed and concealed glass edges for damage
 - Damaged Glass Must be Replaced**

Troubleshooting

Problem/Symptom	Suggested Solution
Missing Parts	<ul style="list-style-type: none"> •Check all shipping/packaging material for missing parts/components. •If not found, contact DreamLine Customer Support [1-866-731-2244] to order factory part replacement.
<p>Door Glass (#01) feels loose in the hinges; the hinges are pulling out of the wall; Door glass is not level across the top; sweep vinyl drags; no clearance between the door glass and the strike vinyl</p>	<ul style="list-style-type: none"> •Remove the vinyl seals (including the sweep vinyl) from the Door Glass (#01) and place two 5/8" shims under the door glass. Remove the backplates from the Hinge Assemblies (#05). Remove the glass and set on a protective surface. Remove and clean the clear Hinge Assembly gaskets and the area around the hinge cutouts. Using an assistant, re-install glass using the 5/8" shims. Reinstall backplates and fully tighten the hinge bolts by hand. It is normal to hear the gaskets compress onto the glass. (Page 14). Reinstall the vinyl seals. •Confirm the hinge screws were installed into wood reinforcement in the wall during installation and are tight to the walls; if not, removal and reinstallation may be necessary. (Page 3)
<p>Door Glass (#01) does not create a tight seal with the L-strike vinyl while in the closed position</p>	<ul style="list-style-type: none"> •Use a level to confirm the Door Glass (#01) is plumb; Confirm the L-Strike Vinyl (#08) is installed in the correct location so the door glass creates a tight seal with the vinyl when in the closed position. Be sure the Bottom Sweep Vinyl Seal (#07) is correctly notched to fit around the L-Strike Vinyl (#08) [Page 35] •The Door Glass (#01) may need adjustment to reset the Hinge Assemblies (#05) for overclose to achieve a seal, refer to the Hinge Assembly Adjustment Procedure [Page 21]
<p>Water Leakage: Hinge Assembly (#05)</p>	<ul style="list-style-type: none"> •Confirm the vinyls are notched as instructed and tightly secured to the Door Glass (#01). [Pages 19; 20] •Direct the water flow away from the area
<p>Water Leakage: Bottom Sweep Vinyl Seal (#07)</p>	<ul style="list-style-type: none"> •Confirm the vinyl is tightly secured to the bottom of the Door Glass (#01). Also, confirm the distance between the bottom of the Door Glass and threshold is 5/8" (16mm). Confirm the Bottom Sweep Vinyl Seal (#07) is correctly notched around the L-Strike Vinyl (#08) •Direct the water flow away from the area
<p>Handle (#02) rattles during operation</p>	<ul style="list-style-type: none"> •Confirm the vinyl gaskets are present and the handles are tightly secured to the glass. If applicable, hand tighten the set screws with an allen key. [Page 17]



Prior to contacting DreamLine® Customer Service, please have the following information readily available:

- Purchase Order Information
 - Name, PO Number, Dealer/Vendor Name, etc.
- SKU/Model Number (see Pages 26-27)
- Factory Part Information (see Pages 26-27)

Factory Parts Information

UNIDOOR -(PLUS/-X/-LS) (STYLE A) - HARDWARE		FACTORY PARTS INFORMATION	
ITEM #	FACTORY PART NUMBER	ITEM DESCRIPTION	QTY
02	0722 1 041 / 0722 4 041 / 0722 6 041 / 0722 9 041	Single-Sided 8in. Tubular Handle Assembly with Knob for 10mm (3/8in) Glass*	1 pc
02	0722 1 086 / 0722 4 086 / 0722 6 086 / 0722 9 086	Back-to-Back 8in. Tubular Handle Assembly for 10mm (3/8in) Glass**	1 pc
04	092130	ST5.5 x 70 Countersunk Screw	11 pcs
05	0741 1 027 / 0741 4 027 / 0741 6 027 / 0741 9 027	Paris 85-Degree Glass-to-Wall Adj Hinge Assembly for 10mm (3/8in) Glass	2 pcs
05a	0755 1 097 / 0755 4 097 / 0755 6 097 / 0755 9 097	Decorative Cap for M6 Hex bolt	8 pcs
06	063011100-1829	Hinge Side Vinyl Seal for 10mm (3/8in) Glass	1 pc
08	063009000-1829	L-Strike Vinyl w/VHB Tape	1 pc
31a	07550079	PVC Hinge Spacer 1mm	2 pcs
31b	07550080	PVC Hinge Spacer 2mm	1 pc
31c	07550081	PVC Hinge Spacer 3mm	1 pc

BOLD digit indicates finish:

1 = Chrome; **4** = Brushed Nickel;

6 = Oil Rubbed Bronze; **9** = Satin Black

*standard Handle for Unidoor, Unidoor Plus and Unidoor-X

**standard Handle for Unidoor-LS and Unidoor Edge

UNIDOOR - (PLUS/-X/-LS) (STYLE A) - GLASS		FACTORY PARTS INFORMATION	
ITEM #	FACTORY PART NUMBER	ITEM DESCRIPTION	QTY
01	010137001	23-in Door Glass	1 pc
07	063015100-0569	Bottom Sweep Vinyl for 10mm (3/8in) Glass (for 23-in Door Glass)	1 pc
01	010137002	24-in Door Glass	1 pc
07	063015100-0595	Bottom Sweep Vinyl for 10mm (3/8in) Glass (for 24-in Door Glass)	1 pc
01	010137003	25-in Door Glass	1 pc
07	063015100-0620	Bottom Sweep Vinyl for 10mm (3/8in) Glass (for 25-in Door Glass)	1 pc
01	010137004	26-in Door Glass	1 pc
07	063015100-0645	Bottom Sweep Vinyl for 10mm (3/8in) Glass (for 26-in Door Glass)	1 pc
01	010137005	27-in Door Glass	1 pc
07	063015100-0670	Bottom Sweep Vinyl for 10mm (3/8in) Glass (for 27-in Door Glass)	1 pc
01	010137006	28-in Door Glass	1 pc
07	063015100-0695	Bottom Sweep Vinyl for 10mm (3/8in) Glass (for 28-in Door Glass)	1 pc
01	010137007	29-in Door Glass	1 pc
07	063015100-0720	Bottom Sweep Vinyl for 10mm (3/8in) Glass (for 29-in Door Glass)	1 pc
01	010137008	30-in Door Glass	1 pc
07	063015100-0747	Bottom Sweep Vinyl for 10mm (3/8in) Glass (for 30-in Door Glass)	1 pc

Model #s:

SHDR-20237210F-##; SHDR-20247210F-##; SHDR-20257210F-##; SHDR-20267210F-##;

SHDR-20277210F-##; SHDR-20287210F-##; SHDR-20297210F-##; SHDR-20307210F-##

Contact Support@DreamLine.com for Part replacement, installation assistance or additional information.

Complete **Warranty** information is available on DreamLine.com.

Factory Parts Information

UNIDOOR EDGE (SHDR-202472E-89)		FACTORY PARTS INFORMATION	
ITEM #	FACTORY PART NUMBER	ITEM DESCRIPTION	QTY
01	010137002	Door Glass	1 pc
02	0722 9 086	Back-to-Back 8in. Tubular Handle Assembly for 10mm (3/8in) Glass	1 pc
04	092131	ST5.5 x 70 Countersunk Screw (Satin Black)	8 pcs
05	0741 9 027	Paris 85-Degree Glass-to-Wall Adj Hinge Assembly for 10mm (3/8in) Glass	2 pcs
05a	0755 9 097	Decorative Cap for M6 Hex bolt	4 pcs
06	0630111 02 -1829	Hinge Side Vinyl Seal for 10mm (3/8in) Glass (Satin Black)	1 pc
07	063009000-1829	L-Strike Vinyl w/VHB Tape (Clear)	1 pc
11	0630151 02 -0595	Bottom Sweep Vinyl for 10mm (3/8in) Glass (for 24-in Door) (Satin Black)	1 pc
31a	07550079	PVC Hinge Spacer 1mm (Clear)	2 pcs
31b	07550080	PVC Hinge Spacer 2mm (Clear)	1 pc
31c	07550081	PVC Hinge Spacer 3mm (Clear)	1 pc
19**	063010102-1829	** item #19 (180° strike vinyl) ships with the UNIDOOR EDGE door glass and is not used for single door installation	----

BOLD digit indicates finish:

2 or 9 = Satin Black

Contact Support@DreamLine.com for Part replacement, installation assistance or additional information.

Complete **Warranty** information is available on DreamLine.com.



TEL: 866-731-2244
FAX: 866-857-3638
DREAMLINE.COM

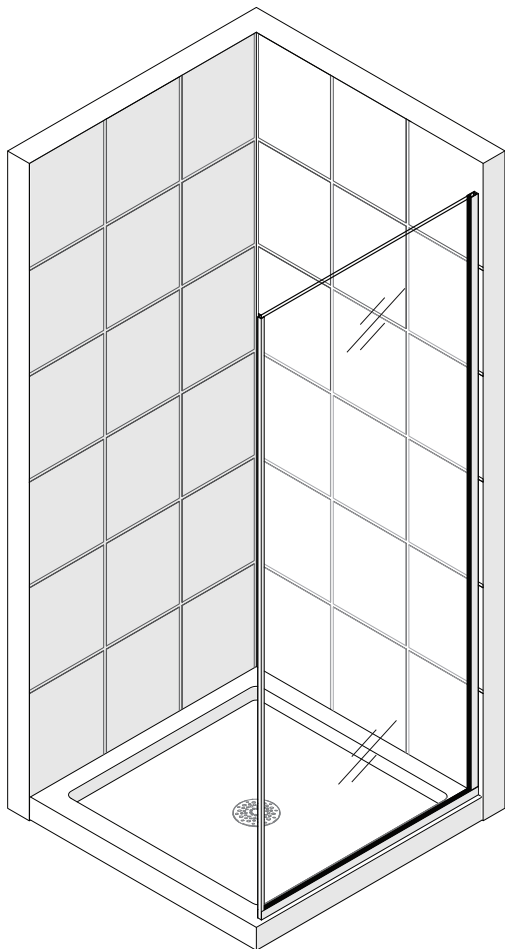


For more information on DreamLine® Shower Doors and Enclosures please visit [DreamLine.com](https://www.DreamLine.com)

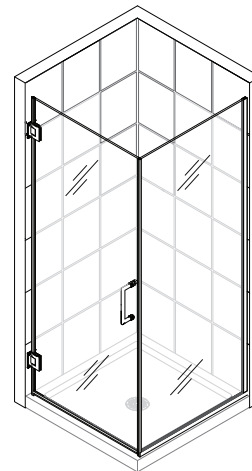
UNIDOOR Plus (Style L)

SHOWER ENCLOSURE PANEL INSTALLATION INSTRUCTIONS

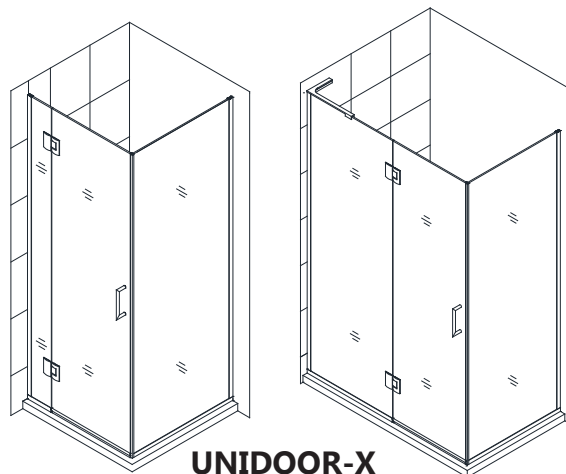
PLEASE REVIEW THIS ENTIRE MANUAL PRIOR TO INSTALLATION



Right-hand return panel



UNIDOOR PLUS STYLE L



UNIDOOR-X
STYLE L1⁶

UNIDOOR-X
STYLE L1²⁴

IMPORTANT!

DreamLine® reserves the right to alter, modify or redesign products at any time without prior notice for the purpose of product improvement and customer experience. Please refer to the model's web page on **DreamLine.com** for the latest technical drawings, installation manuals, warranty information or additional product details.

Do Not Return Product to the Store. Contact DreamLine® with any questions



Questions?

Please Call **DreamLine** Customer Support: **1-866-731-2244**
Hours of Operation M-F 8AM - 6PM EST

Support@DreamLine.com





This model is treated with DreamLine's exclusive ClearMax™ Glass technology. This is a specially formulated coating that prevents the build up of soap and water spots.

Install the surface with the ClearMax™ label towards the inside of the shower. Please note that depending on the model, the glass may be coated on either one or both surfaces.

For best results, squeegee the glass after each use and dry with a soft cloth.

Record the following purchase information for your records or in the event you need to contact DreamLine®:

Purchase Order Number _____

Store/Vendor Purchased From _____

Installation Date _____


OD Number (optional) _____
*located on the shipping box or label if available.


Installed By: _____


SKU Number _____


Table of Contents


Section Title	Page #
Model Styles	2
Important Information about your new shower door	3
Model Specific Preparation	4
Shower Enclosure Plan	5-6
Tools	7
Detailed Diagram of Return Panel Glass Components	8
Parts List	9
Installation Overview	11
Installation Steps	12-23
Product Maintenance & Maintenance Checklist	24
Troubleshooting	25
Factory Parts Information	26

 **TIP** - for ease of installation.

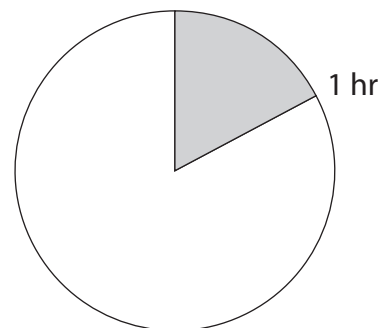
 **NOTE** - take note of special feature; additional information.

 **REQUIRED** - requires special attention; signifies a warning.

 **CORRECT** - recommended.

 **INCORRECT** - not recommended.

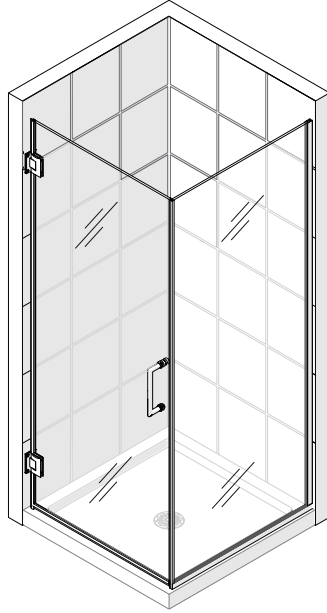
Average Installation Time



Model Styles

Unidoor Plus

MODEL #s
SHEN-24300300F-##



STYLE L
UNIDOOR 30" Shower Door with glass-to-wall hinges and 30" full height return panel installed with U-Channel

STYLE L

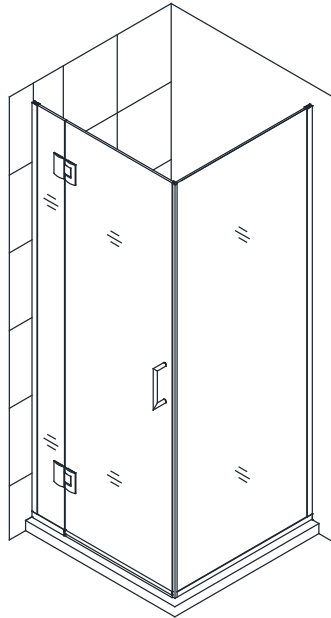
Unidoor-X

Style L1⁶

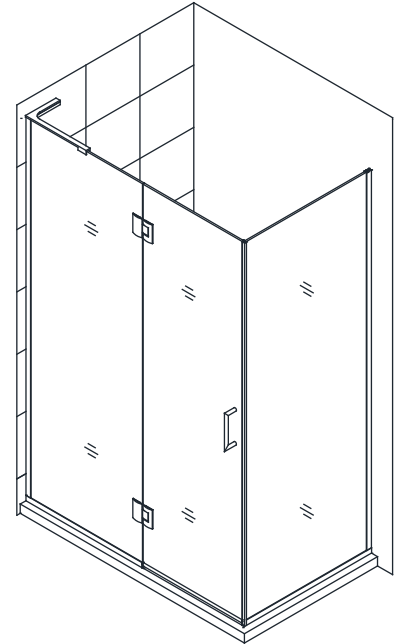
MODEL #s
E12330-##
E12334-##
E12430-##
E12434-##
E12730-##
E12734-##
E12830-##
E12834-##
E12930-##
E12934-##
E13030-##
E13034-##

Style L1²⁴

MODEL #s
E32330L-##
E32330R-##
E32334L-##
E32334R-##
E32430L-##
E32430R-##
E32434L-##
E32434R-##



STYLE L1⁶



STYLE L1²⁴

STYLE L1
UNIDOOR-X Shower Door 23"-30" with 6" or 24" hinge panel, glass-to-glass hinges and 30" or 34" full height return panel installed with U-Channel

Left-Swing Door/Right-Hand Return Panel installation shown

##=finish
01- Chrome
04- Brushed Nickel
06- Oil Rubbed Bronze
09- Satin Black



IMPORTANT

- DreamLine® reserves the right to alter, modify or redesign products any time without prior notice for product improvement and customer experience. Please refer to the model's web page on **DreamLine.com** for the latest technical drawings, installation manuals, warranty information or additional product details.
- This product should be installed by someone familiar with the construction requirements for this type of project and the care necessary for the safe installation and operation of the product.
- The safety of any installation is the responsibility of the installer.
- Professional installation recommended. *(All Models)*
- Professional installation required. *(Enigma Series)*
- To prevent damage or serious injury, Do Not lean against the installed panel/door/glass.
- To prevent damage or serious injury; Do Not attempt to lift or move a heavy lite of glass alone. Use an assistant and/or a professional grade glass suction cup.
- The installation of some models may require drilling down into the threshold. Contact the manufacturer of the base, tub, or threshold material with any questions regarding the drilling of holes into their product.
- All drawings in this installation manual are for illustrative purposes only and are not drawn to scale.

TEMPERED GLASS WARNING

- Your Shower Door Glass Could Shatter Without Warning if Improperly Installed or Mishandled
- Do Not install or operate a shower door if the glass has chipped corners, slivered edges or is otherwise damaged and/or has been dropped or banged into a hard surface such as tile, marble or glass.
- **The main causes of tempered glass breakage are:**
 - Improper handling, storage or installation
 - Misuse/abuse
 - Lack of maintenance
 - Failure to replace damaged glass
 - **Improper handling during storage, unpacking and installation:**
 - Corners and edges are the most susceptible area to damage on a lite of tempered glass and should be protected and handled with care during storage, unpacking, installation and operation. A concentrated point of pressure or impact with a surface harder than itself may cause the tempered glass to shatter. The tempered glass may release immediately, within several hours or even days later.
 - **Incorrect installation of door hardware, rollers, hinges, channels, stopper or glass:**
 - Improper installation may include: loose hardware and/or lack of proper gaskets between the hardware and glass. Additionally, improper alignment of guide rails, wall profiles or other hardware during installation or operation may place stress on the glass edges and cause it to break.
 - This product must be installed by a professional and experienced installer familiar with the safe handling of tempered glass.
 - **Improper use of this product:**
 - Aggressively opening or closing the door may cause trauma to the glass, which can lead to breakage. This may occur immediately or hours or even days later.
 - **The shower door hardware and glass should be inspected periodically:**
 - Instruct the homeowner how to perform a periodic inspection of the shower hardware and glass - some minor adjustments may be necessary based upon the use (or misuse) of the shower door. Ensure that the hardware remains tight and that the door alignment and operation are correct. Any adjustments should be made upon discovery to prevent damage to the product.
 - Additional considerations should be given to the installation of frameless tempered glass products in households with young children or an elderly person due to an increased chance of improper handling. In such cases, alternatives such as shower curtains or grab bars should be considered.

GENERAL PREPARATION

- After opening all boxes and packages, read this introduction carefully. Check that all the items are included in the package by marking off the components on the **"Detailed Diagram of Product Components"** page. Examine all boxes and packages for shipping damage. If the unit has been damaged, has a finishing defect, or is missing parts; please contact our Customer Support department within 3 business days of the delivery date. **Please note that DreamLine® will not replace any damaged products or missing parts free of charge after 3 business days or if the product has been installed.** Please contact DreamLine® if you have any questions.
- **Please note that you should refer to your local building codes with questions on installation compliance standards. Building and plumbing codes may vary by location, and DreamLine® is not responsible for code compliance standards for your project and will not accept any returns.**
- If this unit is going to be installed in a new construction, install all the required plumbing and drainage before installing the shower. **Use a competent and licensed (if required by local code) plumber for all plumbing installation.**
- Make sure that prior to beginning the installation, the surfaces are leveled and solid and will be able to support the total weight of the unit. Also make sure the walls are at right angles. Irregular installation surface level, radius corners or improper angle of side walls will result in serious problems for your installation. Please note that some adjustments and drilling will be necessary during the installation process.
- Protect all primary surfaces of the product during installation. Never set your glass down directly onto a tile floor. Leave corner protectors in place until it is necessary to remove them. Always use a piece of wood or cardboard to protect the bottom edge and corners of the glass prior to and during installation.
- This unit must be installed upon a finished threshold and against finished walls.
- *DreamLine® shower doors are not designed to be installed into a fiberglass surround due to the radius corners and lack of a solid surface to mount the hardware.*

WARNING: TO AVOID THE RISK OF DAMAGE OR INJURY:

- **Follow all recommendations and requirements as shown in the installation instructions.**
- Perform a thorough inspection of the glass and all parts for any damage prior to installation. Any damage to tempered glass can cause breakage. **Do Not install damaged glass!**
- Do Not install or operate a shower or tub door if the glass has chipped corners, slivered edges or is otherwise damaged. Do Not install or operate a shower or tub door that has been dropped or banged into a hard surface such as tile, marble or glass.
- **CAUTION:** Contact with any hard surface can damage tempered glass and cause it to shatter.
- This product uses tempered glass. Glass cannot be cut after it has been tempered. **Do Not attempt to cut tempered glass.**
- DreamLine® Glass Shower doors, Tub doors, Inline panels, and Return panels can shatter due to improper handling or lack of maintenance. Conduct periodic inspections of glass and all parts for possible damage, missing or loose parts.
- Always wear proper safety equipment such as: safety goggles, work gloves and appropriate footwear during the installation process.
- **WARNING. Risk of leakage and/or damage.** Follow all instructions regarding the application of silicone sealant or caulk. Allow 24 hours for the sealant to cure before the initial use of the shower or tub product. Follow the silicone manufacturer's recommendations regarding the use of their product.
- **Thoroughly read these instructions before installing or using this product.**
- **Leave this manual for the end-user of the product.**



This product should be installed by someone familiar with the construction requirements for this type of project and the care necessary for the safe installation and operation of the product.



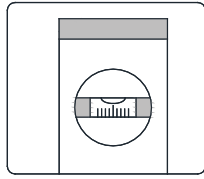
Model Specific Preparation



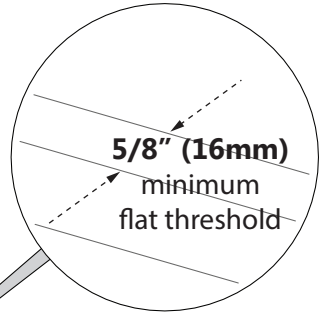
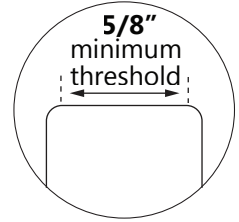
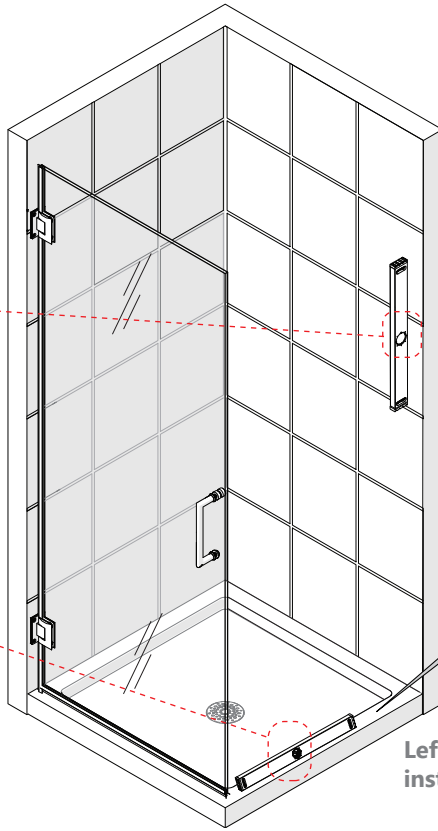
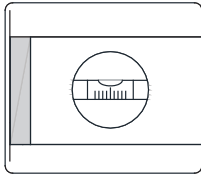
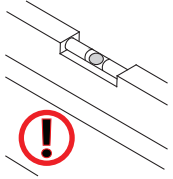
REQUIRED:

Check walls and threshold with a level

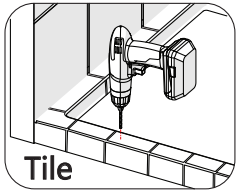
1/2" Max Out-of-Plumb adjustment within the u-channel on return panel wall only



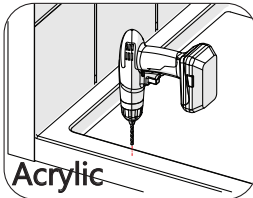
Threshold must be level



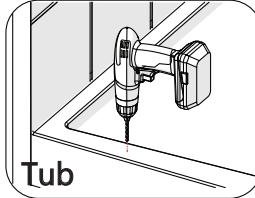
Left-hand door with Right-hand return panel installation shown as an example



Tile



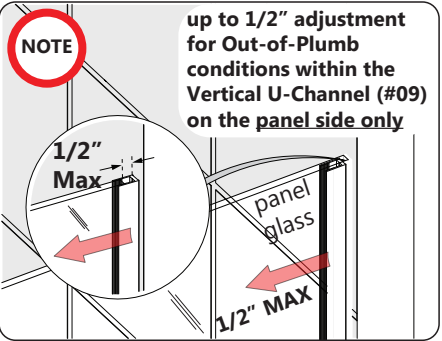
Acrylic



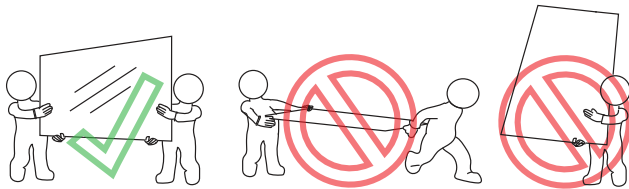
Tub



Contact the manufacturer of the base, tub or threshold material with any questions regarding the drilling of holes into their product.



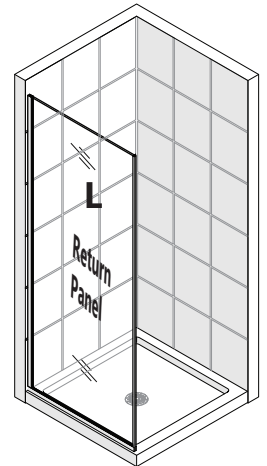
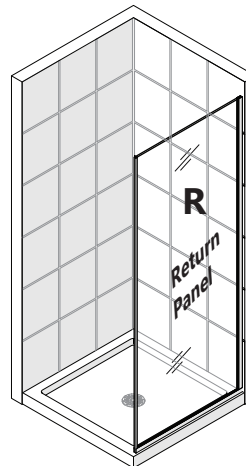
*right-hand inline panel glass installation shown



Professional installation and two installers recommended for this model



This Return Panel is reversible for right or left Return panel installation. The right-hand Return panel installation is shown as an example throughout this manual. For the left-hand Return panel installation, simply begin on the opposite wall and reverse the orientation of the installation steps shown.

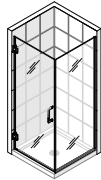


Shower Enclosure Plan

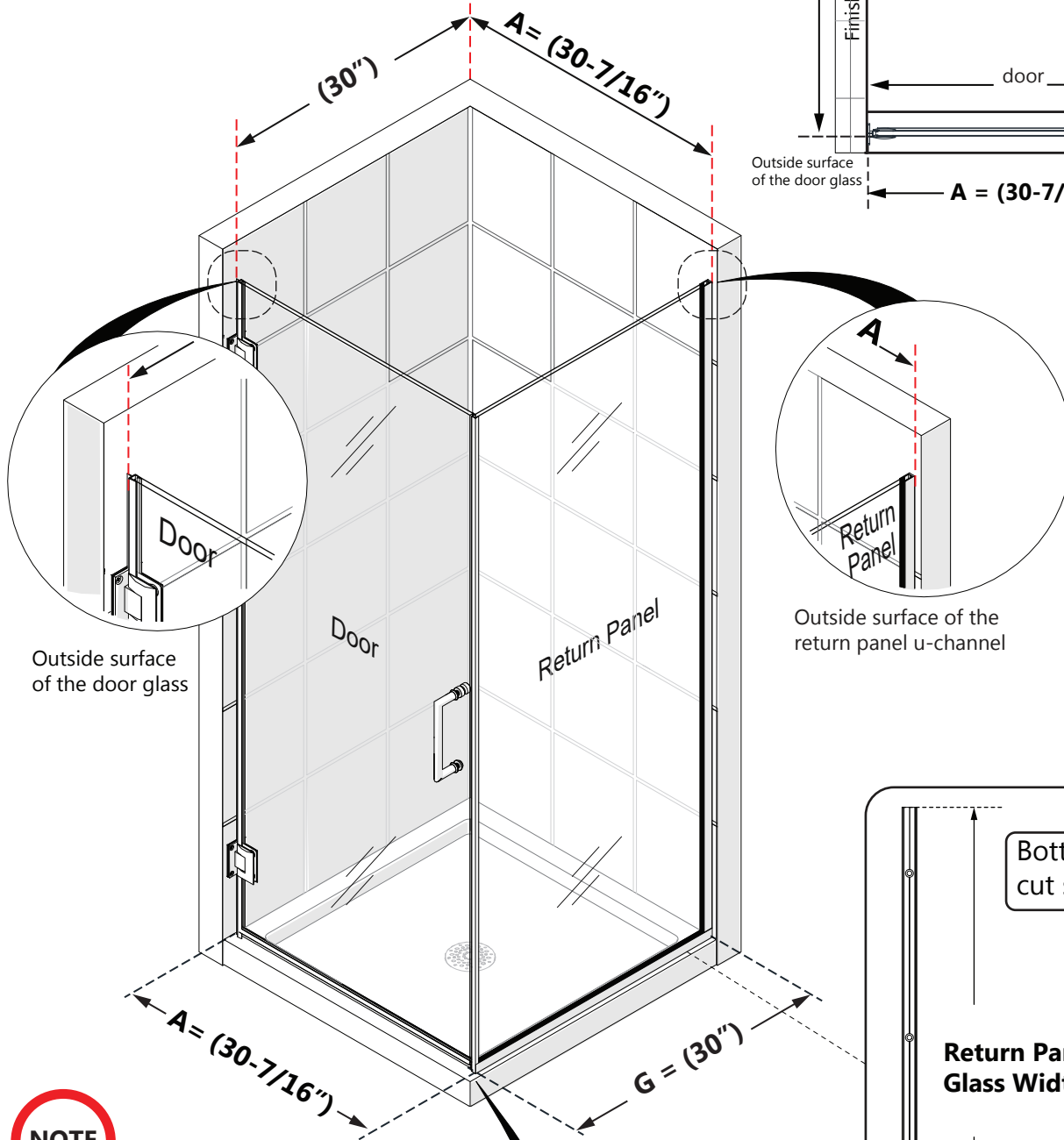
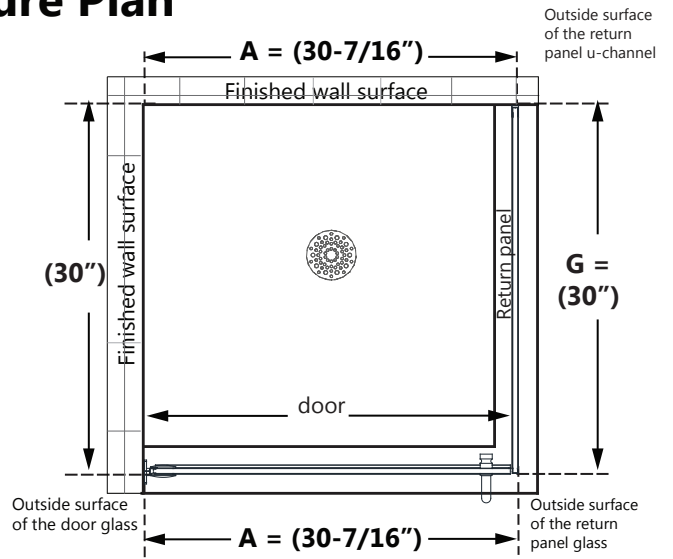
UNIDOOR PLUS

STYLE L

Unidoor Plus models with Glass-to-Wall hinges

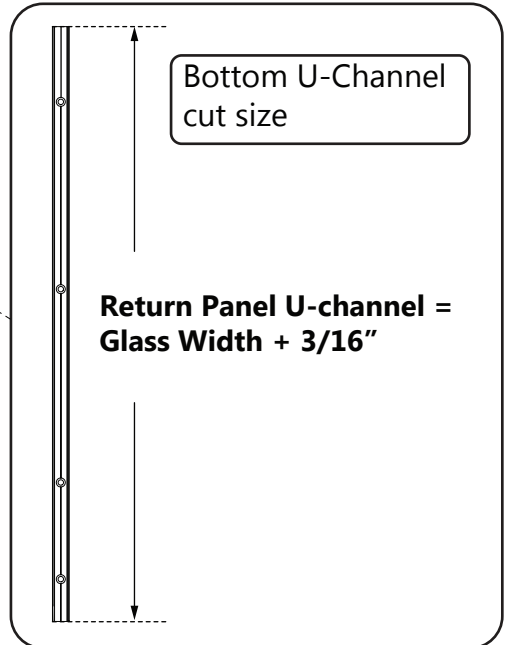
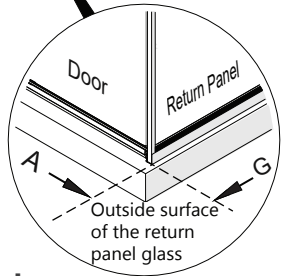


Style L



NOTE

Measure at the bottom and draw a plumb line up from the threshold



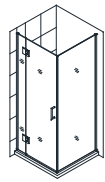
right-hand return panel installation shown

Shower Enclosure Plan

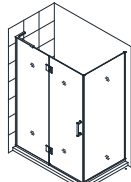
UNIDOOR-X

STYLE L1

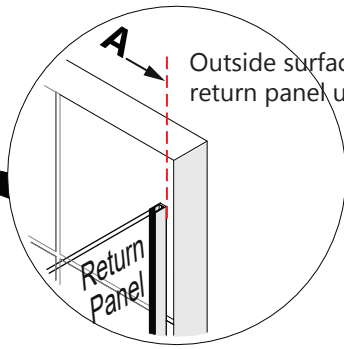
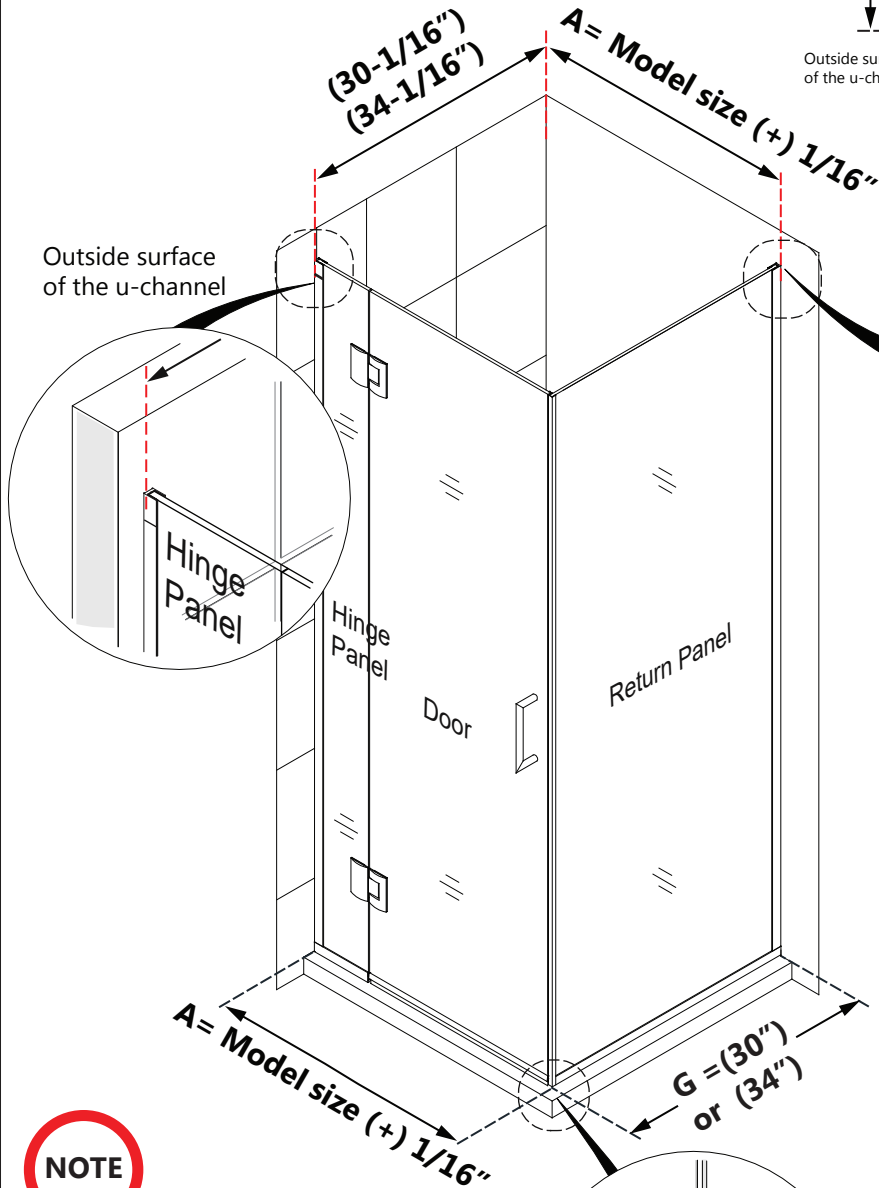
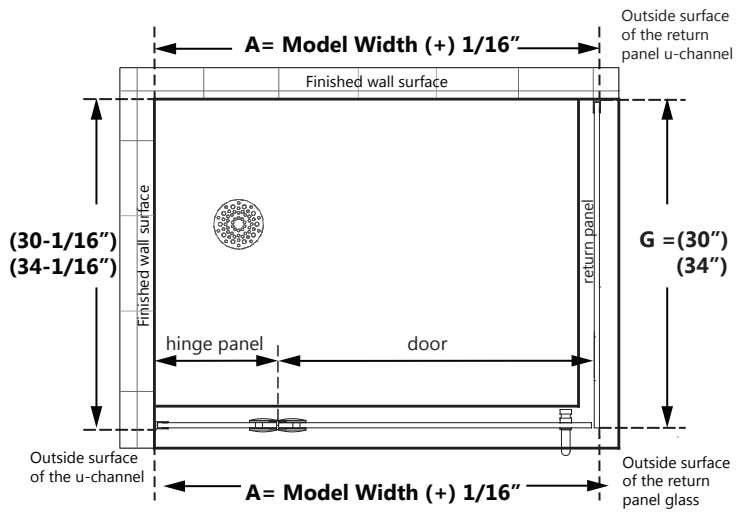
Unidoor-X models with Glass-to-Glass hinges



Style L1⁶



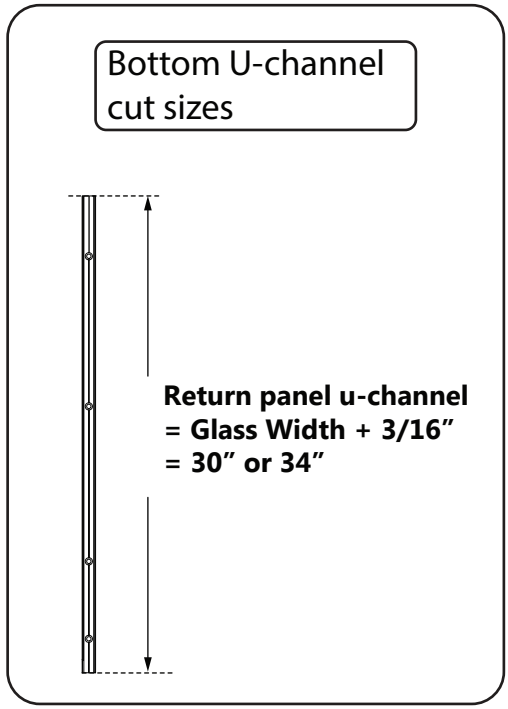
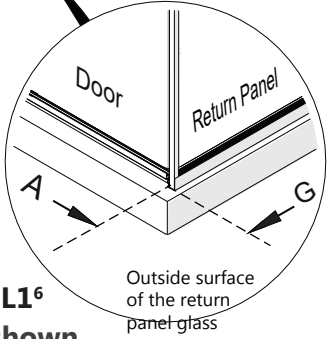
Style L1²⁴



NOTE

Measure at the bottom and draw a plumb line up from the threshold

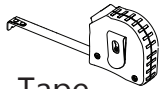
Example: Unidoor-X Enclosure Style L1⁶ right-hand return panel installation shown



Tools



Level



Tape Measure



Pencil



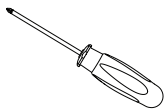
Drill Bit
Ø1/8"
(3mm)



Drill Bit
Ø3/16"
(5mm)



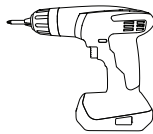
Drill Bit
Ø5/16"
(8mm)



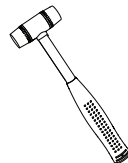
#2 Phillips
Screwdriver



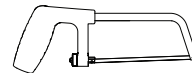
#2 Phillips
Driver Bit



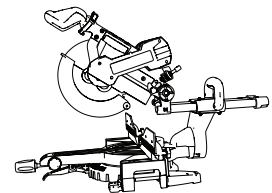
Power
Drill



Soft Head
Hammer



Hacksaw



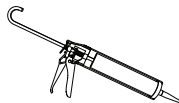
or
Miter Saw



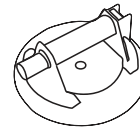
Metal File



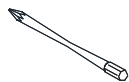
Razor Knife



Silicone



Professional-grade Glass Suction Cup
(optional but recommended)



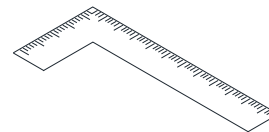
Extended driver bit



Safety Glasses



Work Gloves



Carpenter's
Square



Verify that the correct model size has been ordered; measure the finished opening **before** proceeding with the installation.

Confirm that the finished walls are plumb and the threshold is level and pitched into the shower area.

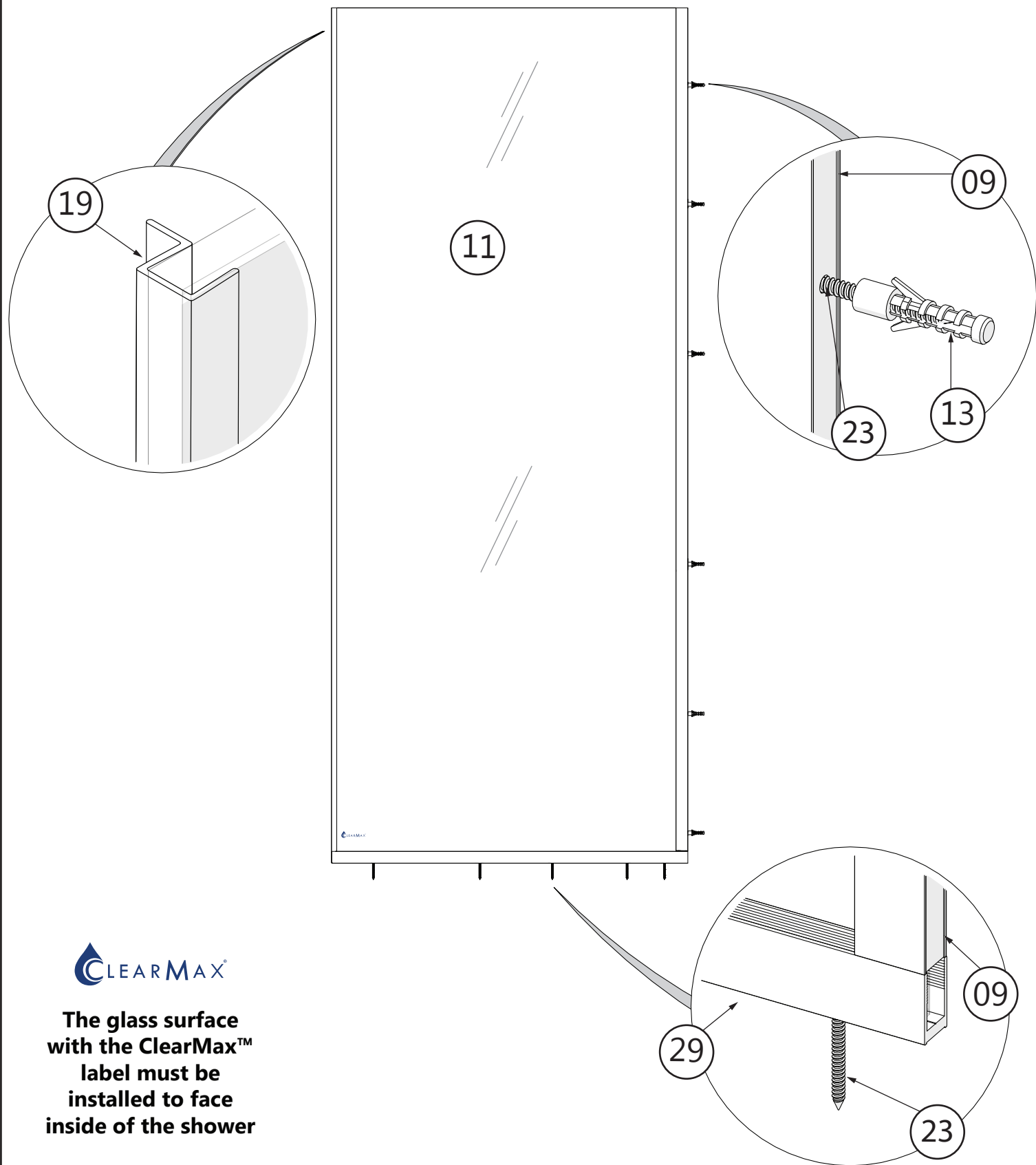
Use a good quality waterproof, mildew-resistant 100% silicone caulk.

Cover the shower drain with tape prior to installation to prevent the loss of screws or small parts.



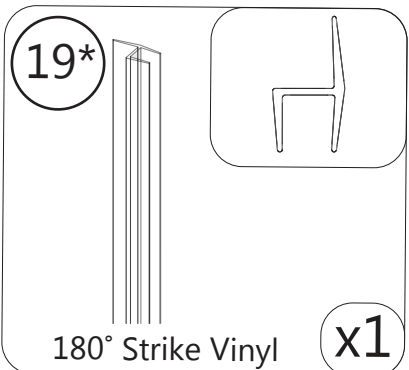
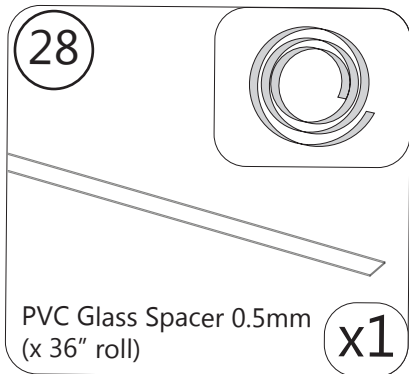
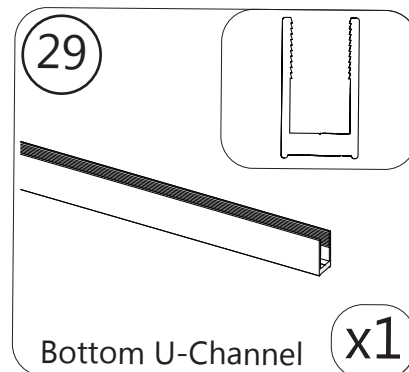
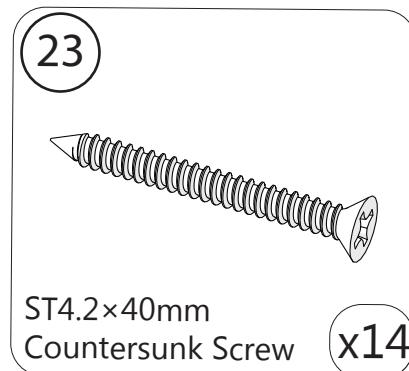
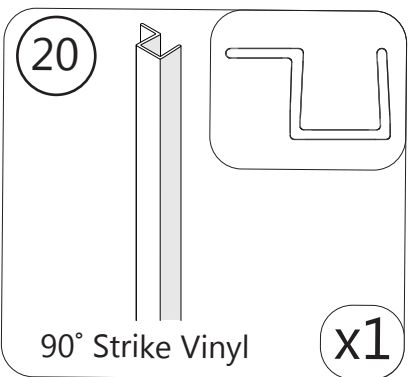
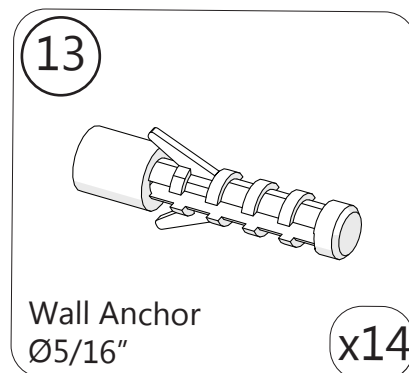
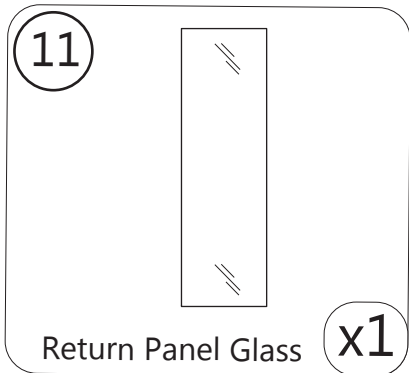
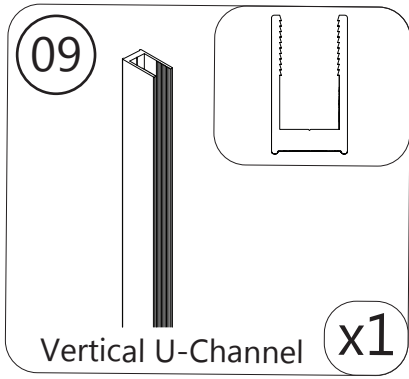
Unpack the unit carefully and inspect it. Lay it out and identify all parts using the **Detailed Diagram** on page 8 and the packing list in this manual as a reference. Before discarding the carton, check for small hardware bags that may have fallen to the bottom of the box. If any parts are damaged or missing, please contact DreamLine® for replacement. The shipping boxes may contain extra parts not used in your model configuration. Retain these installation instructions for future reference.

Detailed Diagram of Return Panel Glass Components



**The glass surface
with the ClearMax™
label must be
installed to face
inside of the shower**

Parts List



NOTE

***180° Strike Vinyl** is packaged with the Panel Glass and is **only used with Inline Panel** models and is not used with this Enclosure installation



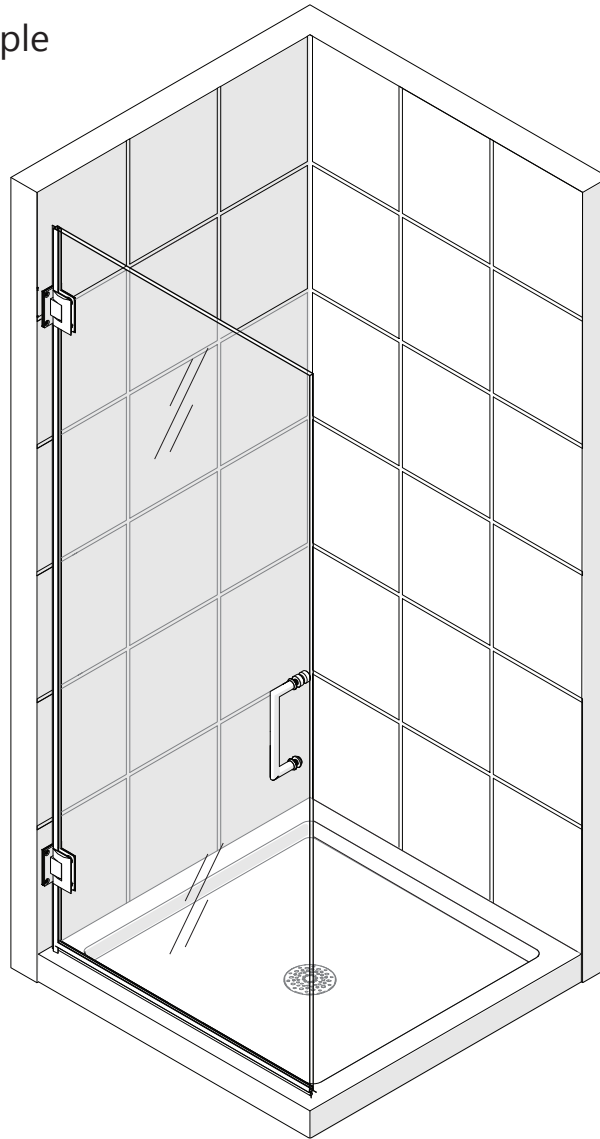
The Unidoor Shower Door must be installed first, prior to proceeding with the following Return Panel Glass installation instructions.

Please see the Unidoor Shower Door Installation Manual packaged with the door glass for complete shower door installation instructions.

Use the "Shower Enclosure Plan" in this manual for the proper dimension to install the door glass based on your model size. (see pages 4-5)

Before you begin the installation, recheck the finished opening size, the walls for plumb and the threshold for level. Specific model size information can be found on DreamLine.com

STYLE L shown as an example

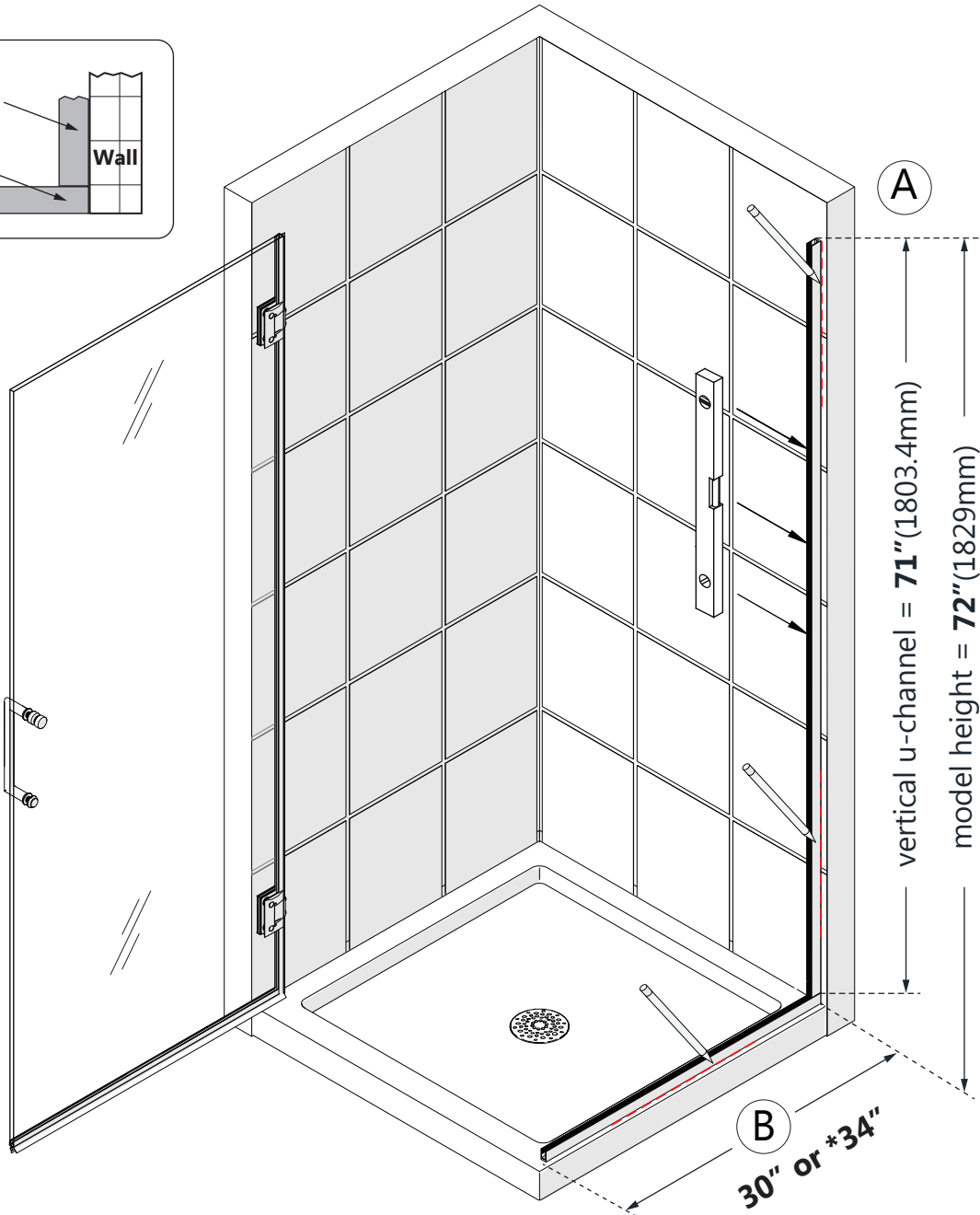
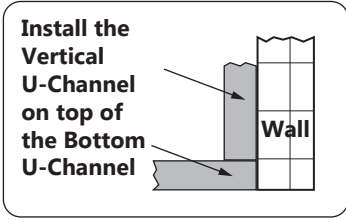


Left-Swing Door/Right-Hand Return Panel installation shown

Installation Overview

Place the **U-Channels (#09 and #29)** on the wall and threshold at the model dimensions based on your model size as shown in the "**Shower Enclosure Plan**" (Pages 5-6).

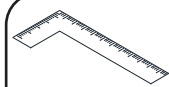
Note that the space for the door area must be no less than the "nominal door size"



Right-hand Return Panel installation shown

- A** Cut Vertical U-Channel = 71"
- B** Cut Return Panel Bottom U-Channel: = 30" or *34"

See Steps 1-3 on Pages 12-14



Use a Carpenter's square for accuracy when marking the threshold



Dimensions as measured from the finished wall to the outside of the U-Channel



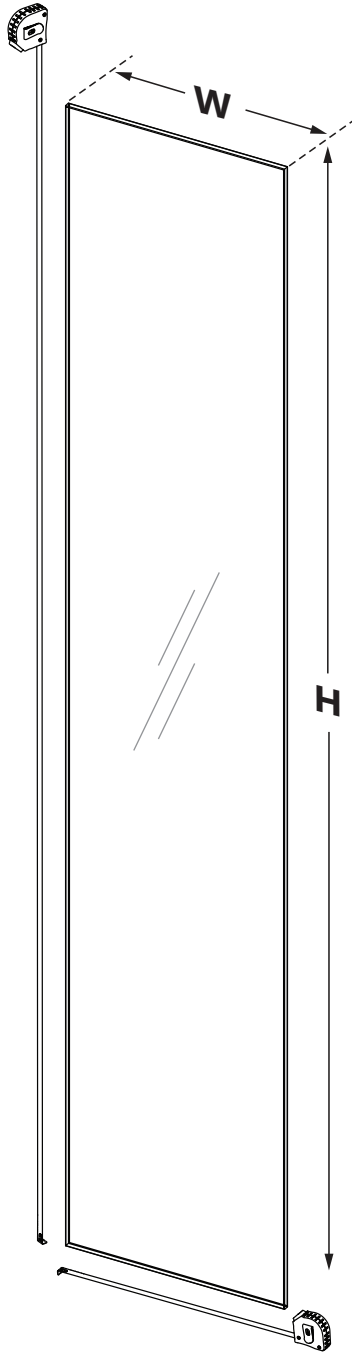
***34" Available for Unidoor-X Style L1 ONLY**

1

Installation Steps



Use parts from the **“Detailed Diagram of Return Panel Glass Components”** for Return Panel Glass assembly and installation.



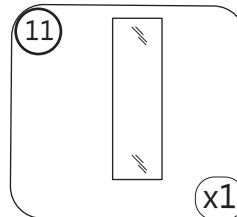
Glass Width (W)

Glass Height (H)

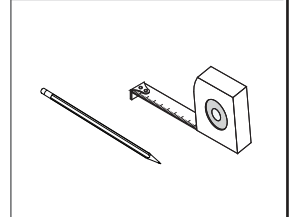
****EXCEPTION:**
If the wall is out-of-plumb at the bottom, measure that dimension as (A) and add (A) to the finished cut length of the U-channel (+1/2" max):

Glass Width + 3/16" + (A) = Finished cut length (L)

Parts Needed



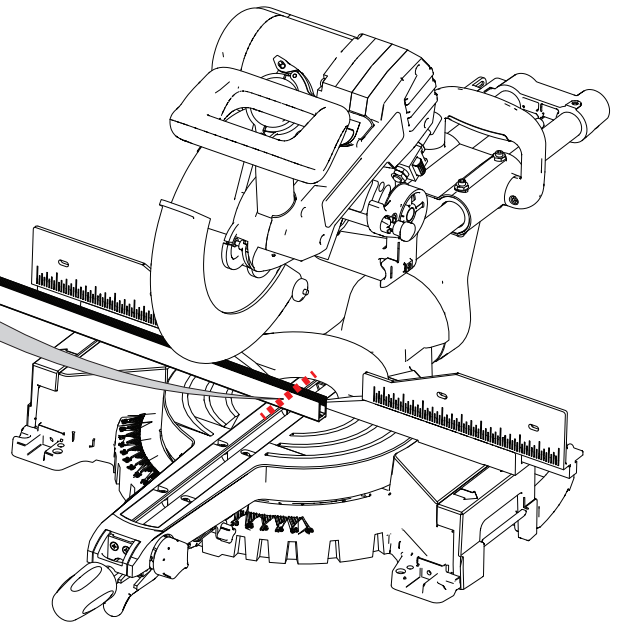
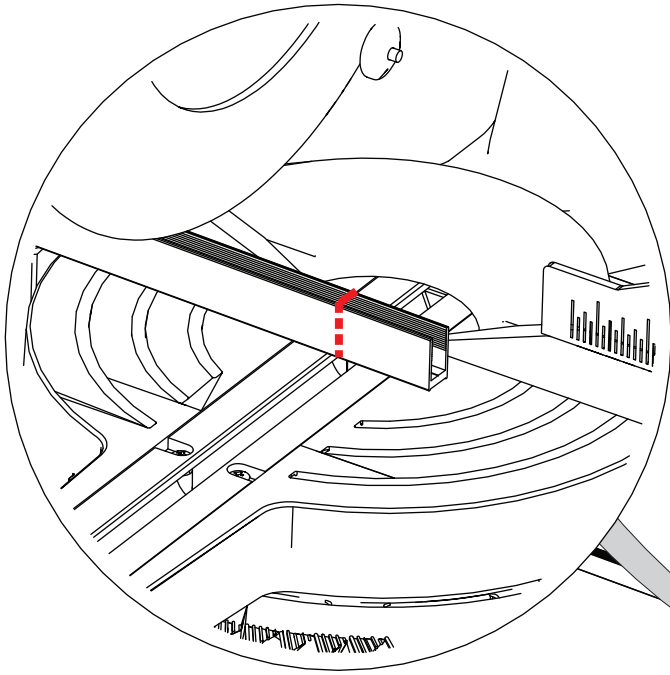
Tools Needed



2

Cut the Bottom U-Channel to: Glass Width (W) + 3/16" = (L)**

**see the exception on the previous page



OR

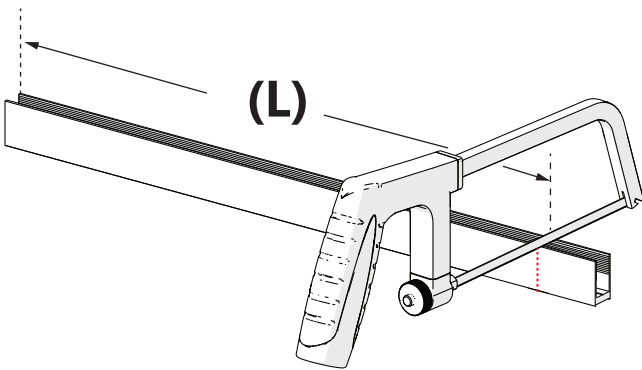
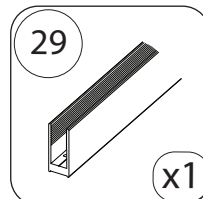
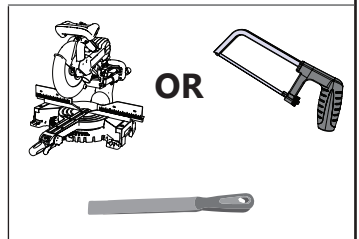


Fig 2

Parts Needed



Tools Needed



3

Cut the Vertical U-Channel to: Glass Height H (-) 13/16" = (V)

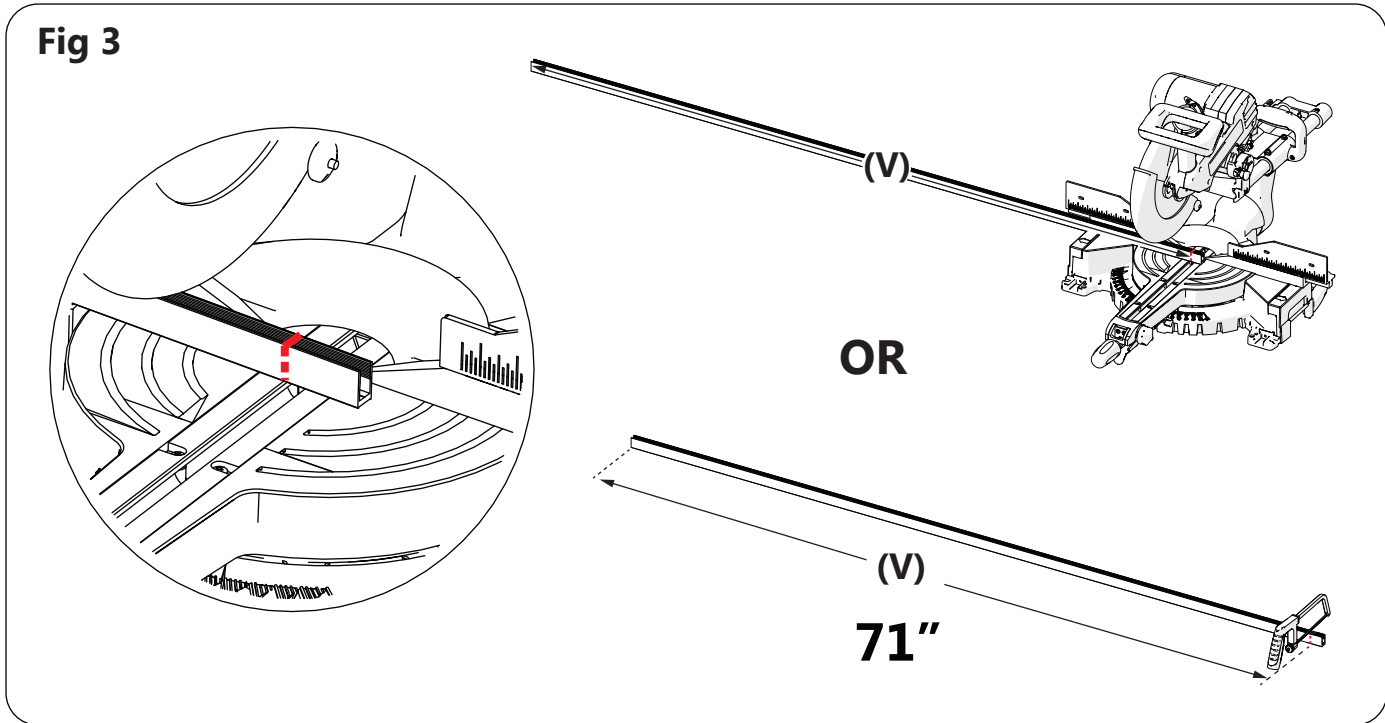


Fig 3



Cut the Vertical u-channel to **71"** for the standard 72" model height

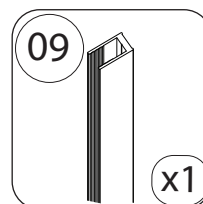


Use a metal file to remove any burrs from the cut ends of the U-Channels before placing them onto the glass.

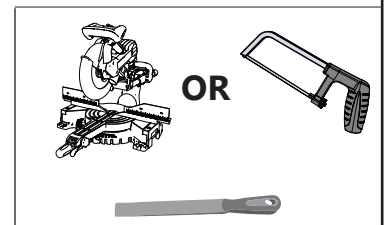


Metal File

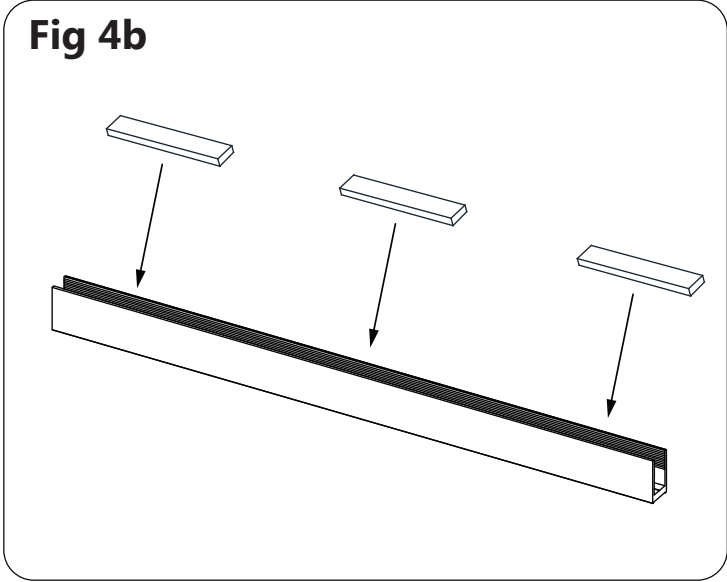
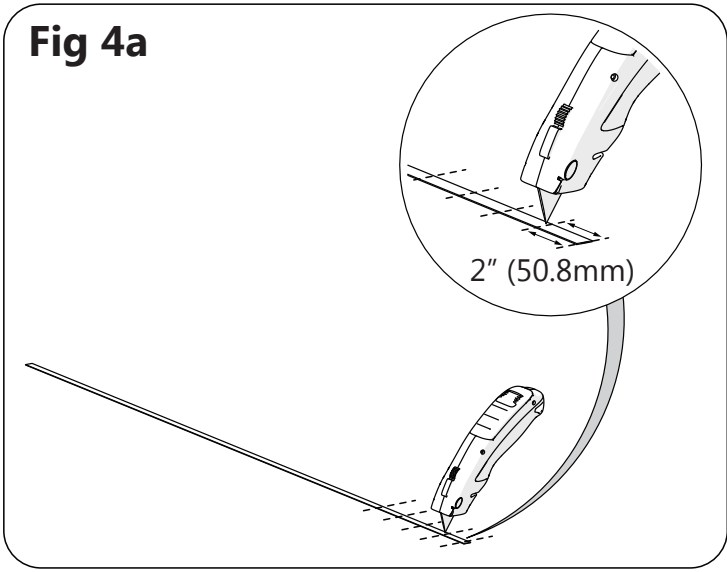
Parts Needed



Tools Needed

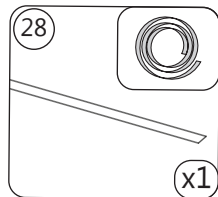


4

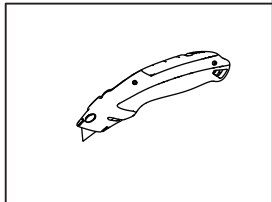


Cut several 2" - 3" pieces of the PVC Glass Spacer 0.5mm (#28). Set these into the bottom u-channel after applying silicone in Step #8. DO NOT install one long continuous piece into the Bottom (#29) U-Channel.

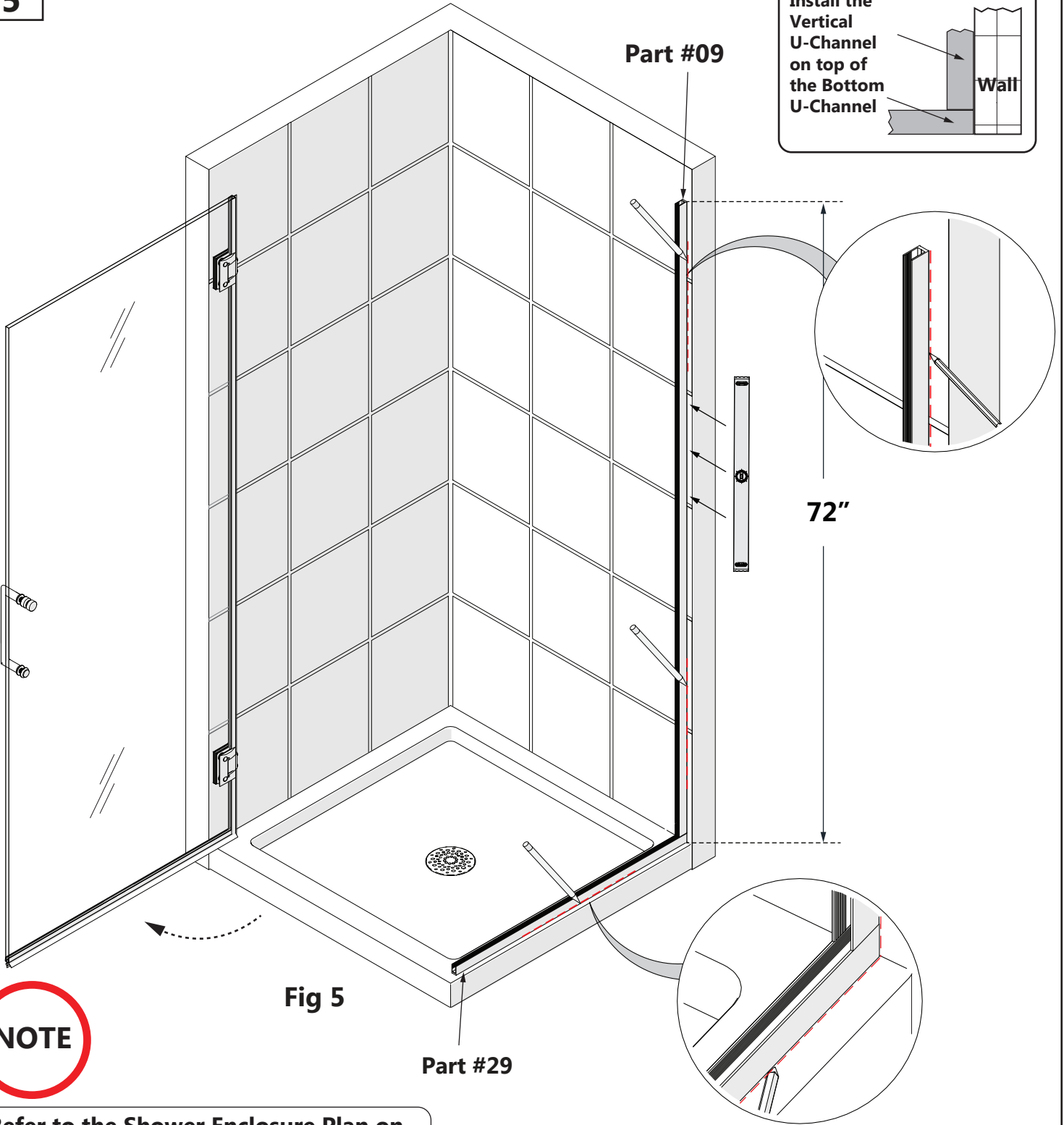
Parts Needed



Tools Needed



5



Install the Vertical U-Channel on top of the Bottom U-Channel

NOTE

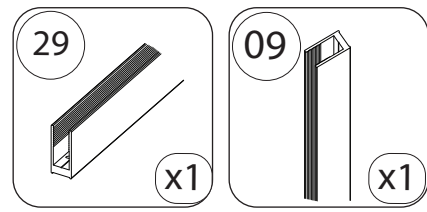
Refer to the Shower Enclosure Plan on pages 5-6 for the proper location of the U-Channels based on the model size

TIP

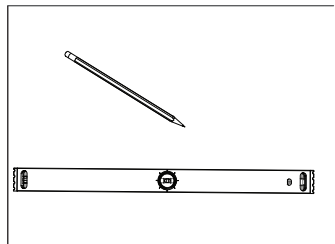
Use a Carpenter's square for accuracy when marking the threshold

Right-hand Return Panel installation shown

Parts Needed



Tools Needed



6

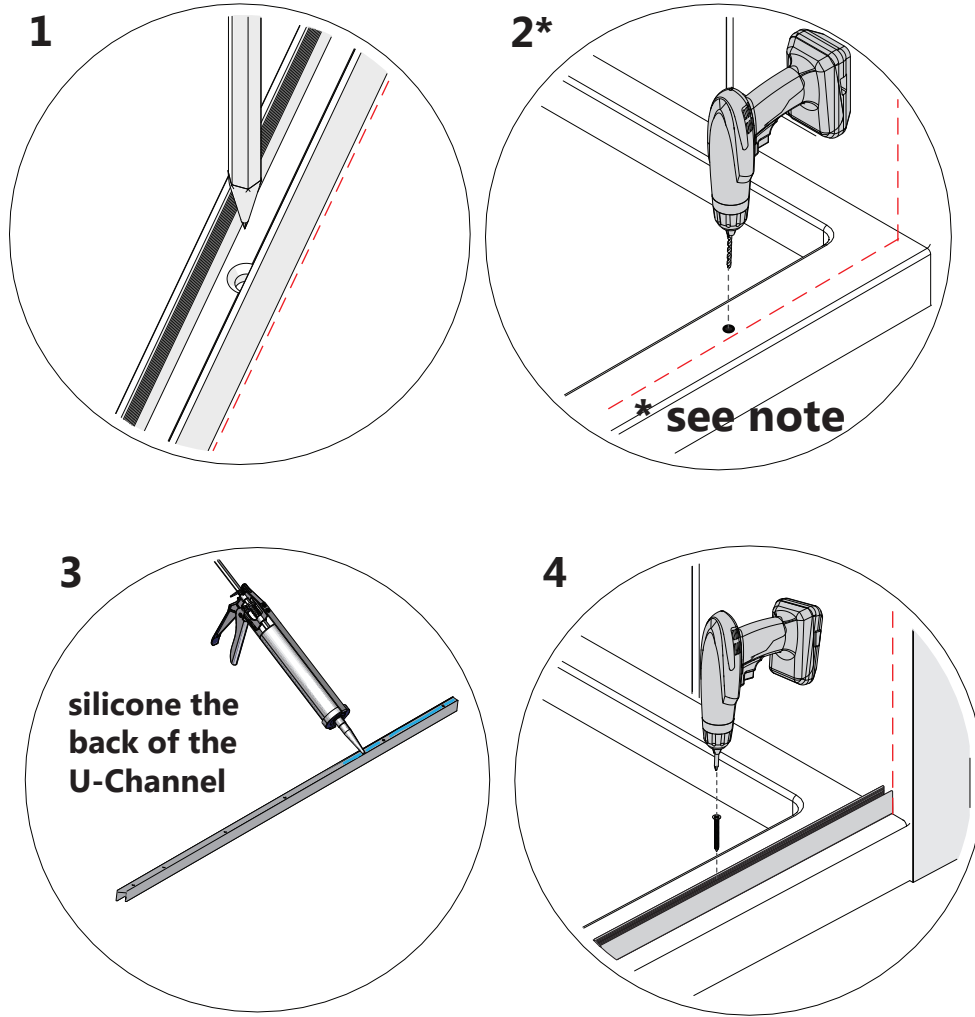


Fig 6

NOTE

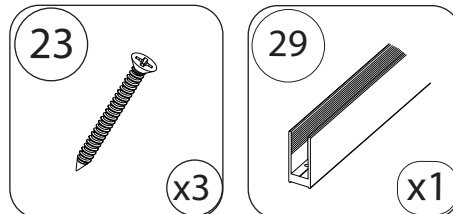
For installation into an Acrylic threshold:

- Drill an $\text{Ø}1/8''$ (3mm) hole and use the **ST4.2 x 40mm Countersunk Screws (#23)**.

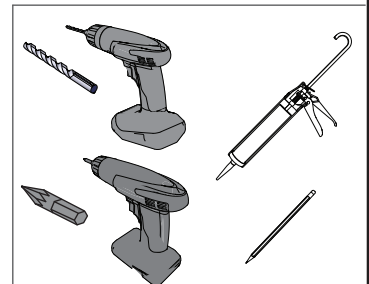
For installation into a Tile threshold

- Drill a $\text{Ø}3/16''$ (4mm) hole up to the stud, drill an $\text{Ø}1/8''$ (3mm) pilot hole into the stud and use the **ST4.2 x 40mm Countersunk Screws (#23)**.

Parts Needed



Tools Needed



7

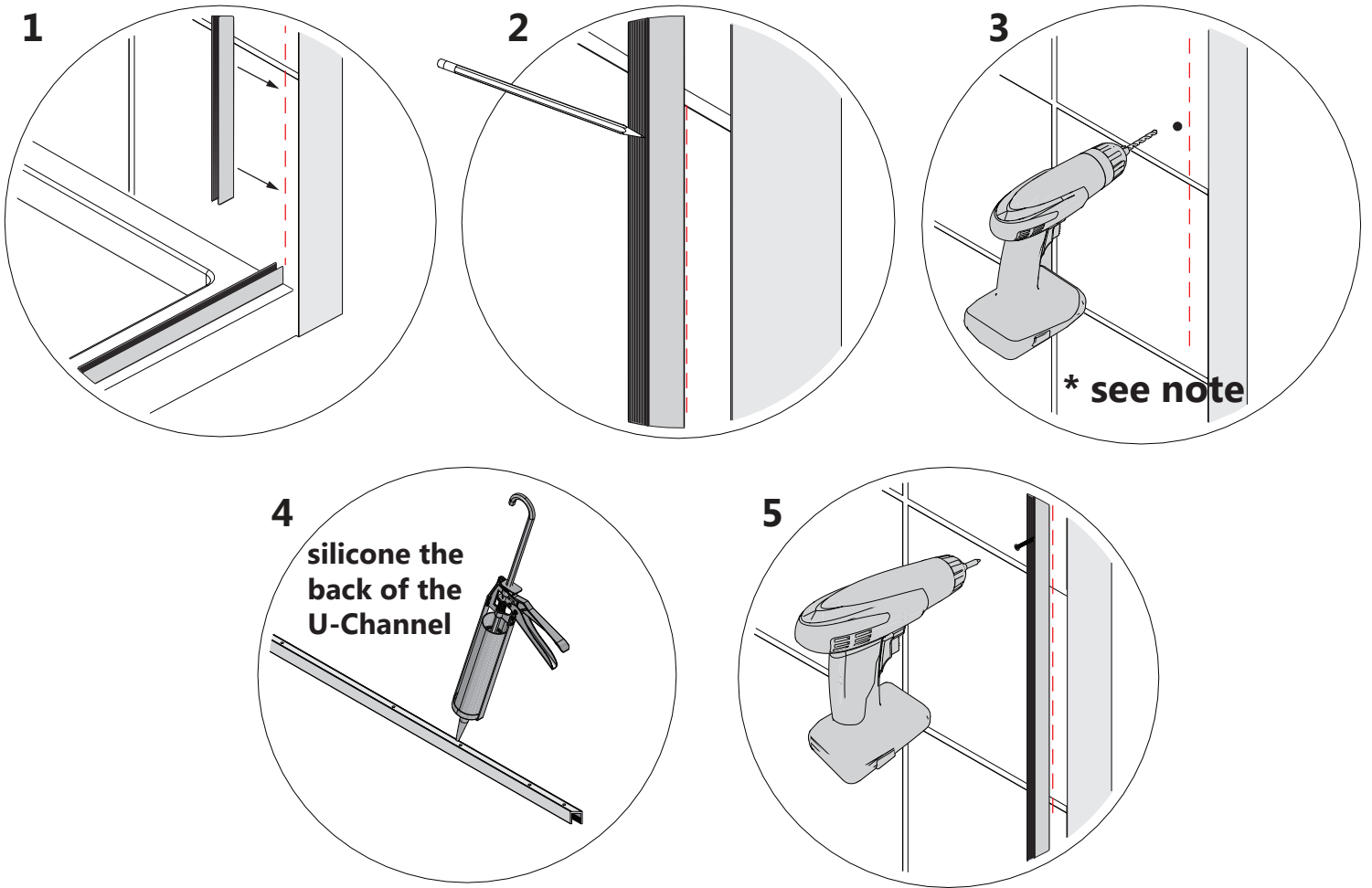


Fig 7

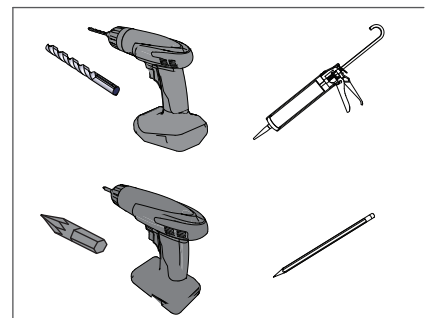
NOTE

▪ **If a Stud is present behind the wall:**
 drill a $\text{Ø}3/16''$ (4mm) hole up to the stud,
 drill an $\text{Ø}1/8''$ (3mm) pilot hole into the stud and use
 the **ST4.2 x 40mm Countersunk Screws (#23)**

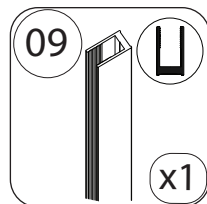
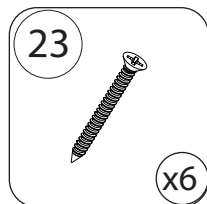
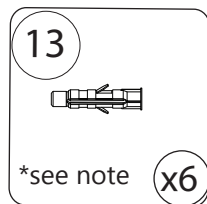
OR

▪ **If No Stud is present behind the wall:**
 drill a $\text{Ø}5/16''$ (7mm) hole and insert the **Wall Anchors (#13)**
 and use the **ST4.2 x 40mm Countersunk Screws (#23)**.

Tools Needed



Parts Needed



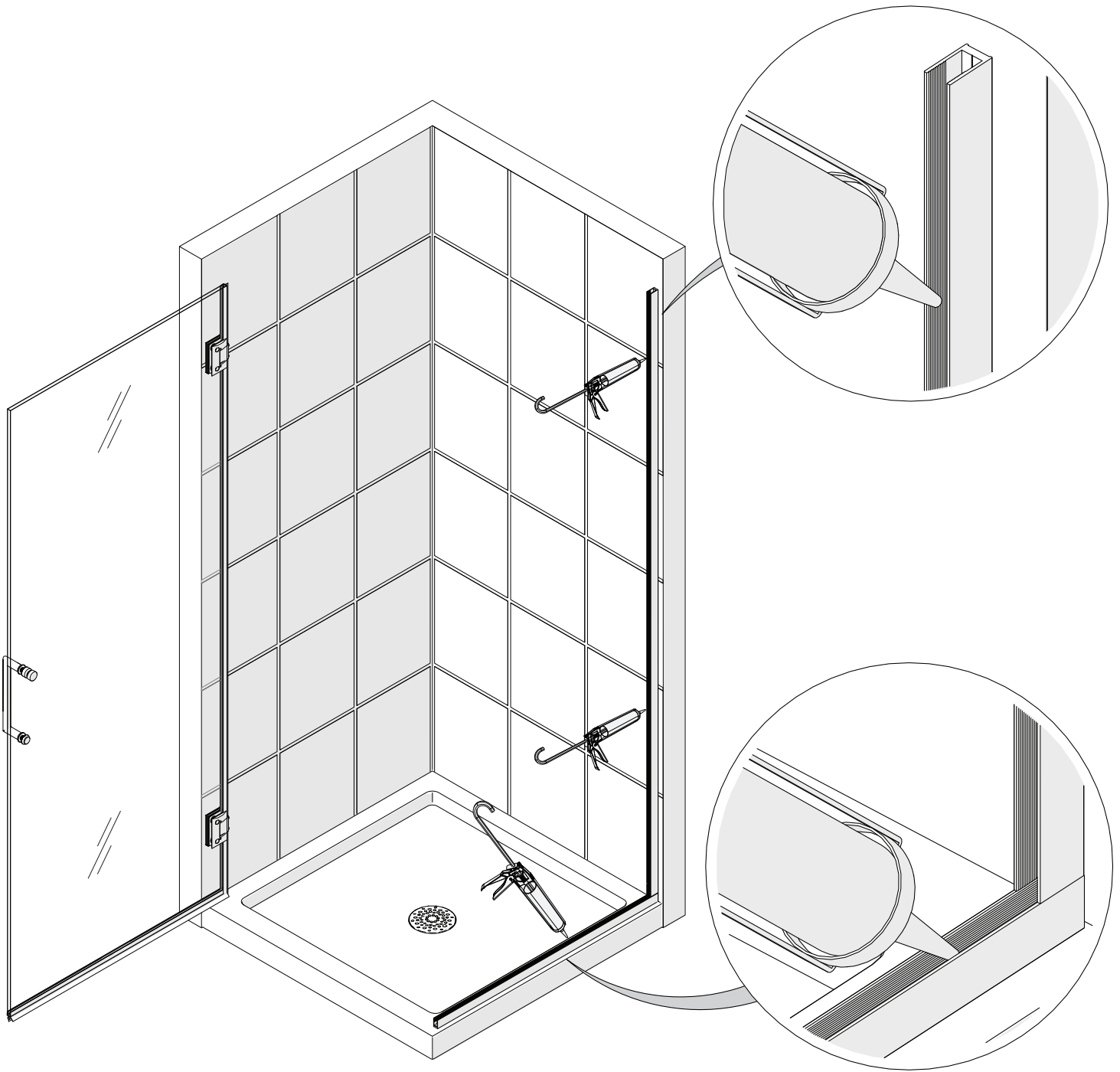
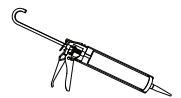


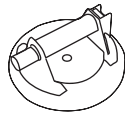
Fig 8

Tools Needed

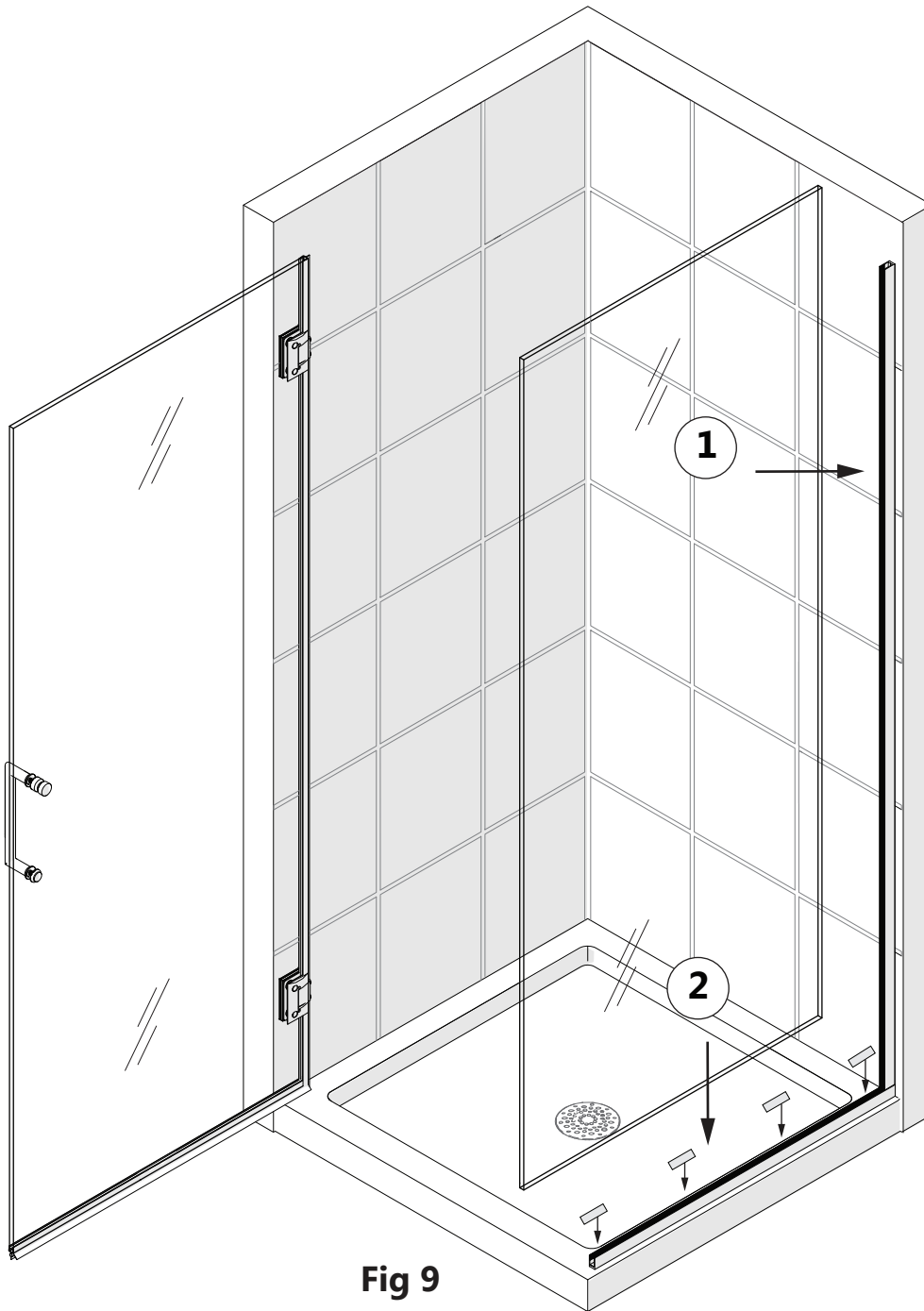


Right-hand Return Panel installation shown

9



A professional-grade Glass Suction Cup is recommended for handling heavy glass



- 1** Insert panel glass into the vertical U-Channel first ...
- ↓
- 2** ...then slide the panel glass down into the bottom U-Channel

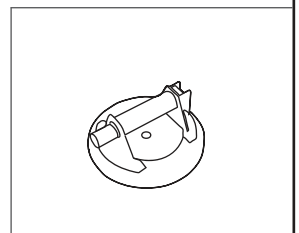
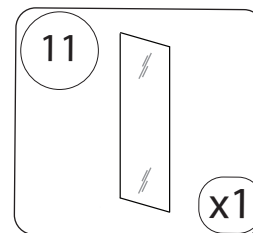
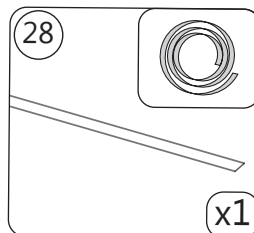
Fig 9

Parts Needed

Tools Needed



After applying silicone into the bottom u-channel, insert the cut pieces of the **PVC Spacers 0.5mm (#28)** into the **Bottom U-Channel (#29)** to prevent glass-to-metal contact.



Right-hand Return Panel installation shown

10

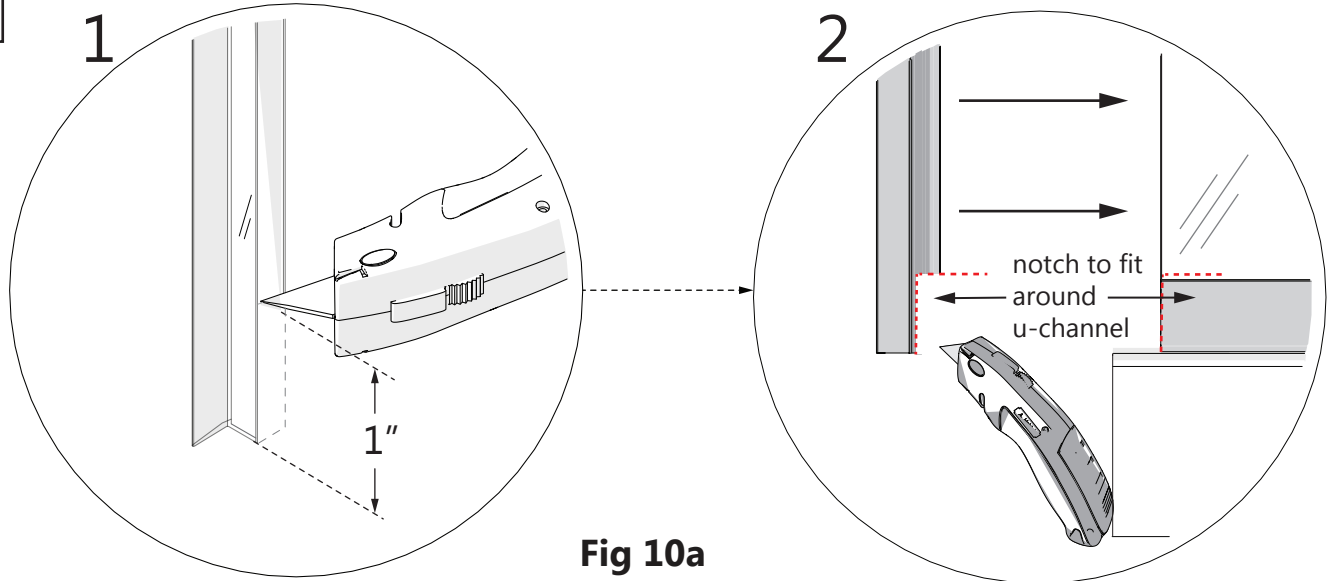


Fig 10a

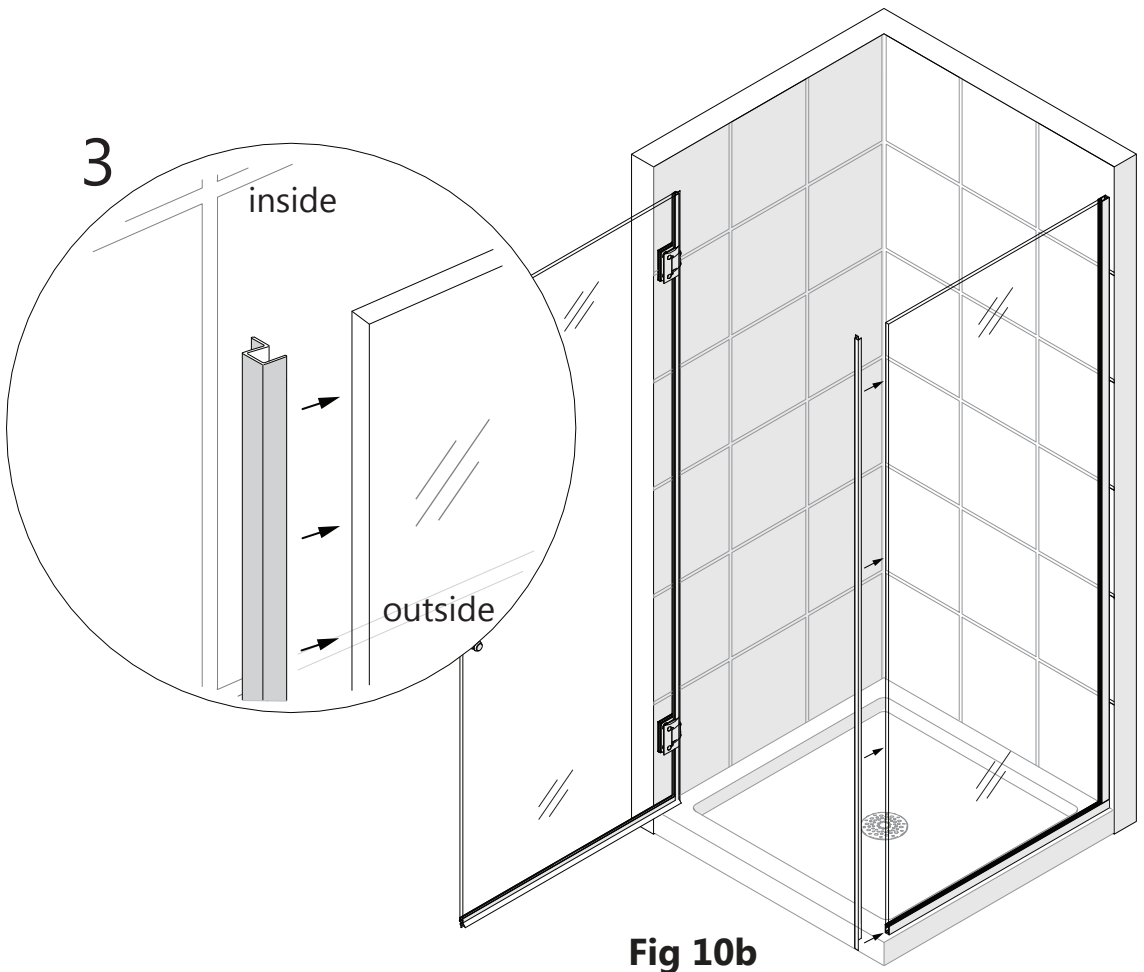
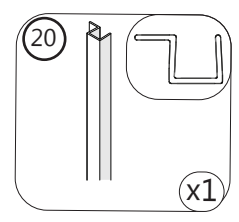
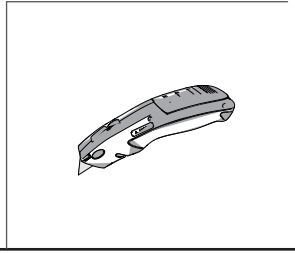


Fig 10b

Parts Needed



Tools Needed



Right-hand Return Panel installation shown

11

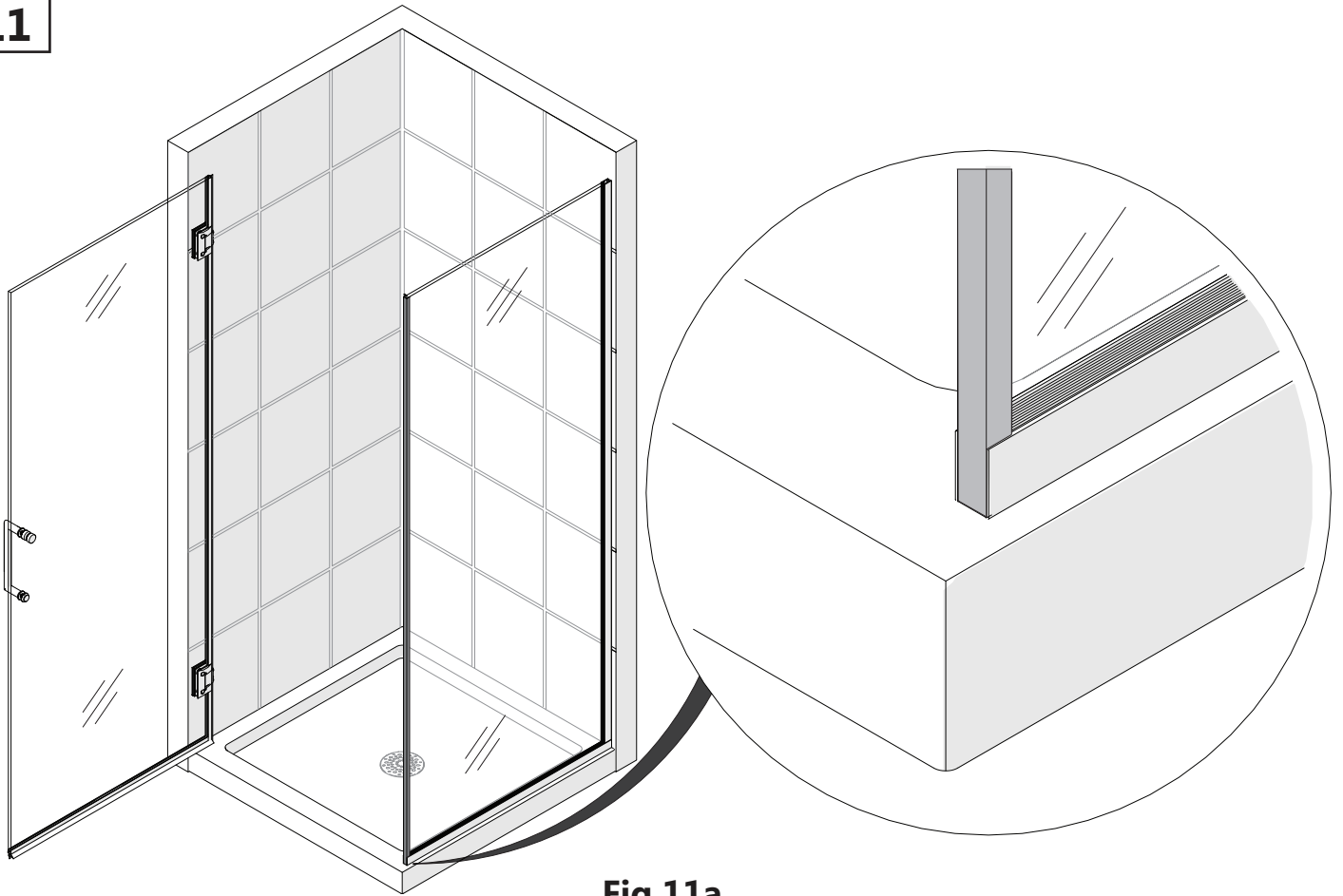


Fig 11a

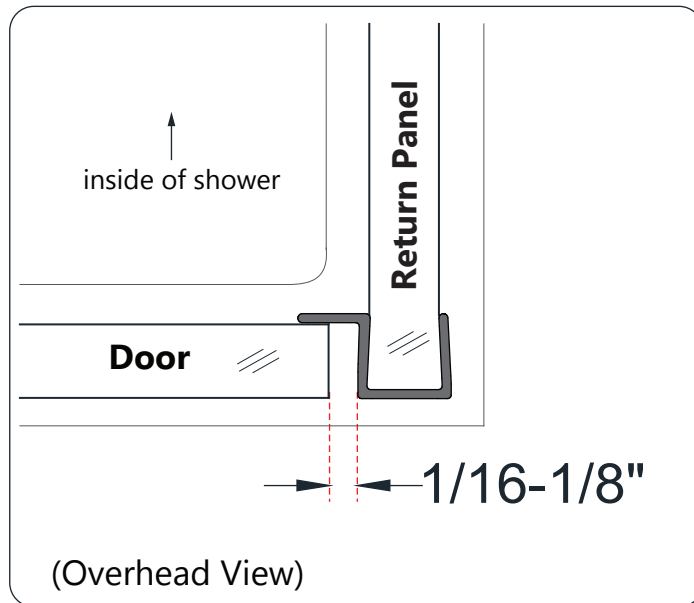


Fig 11b

NOTE

The surfaces need to be clean and free of debris before applying silicone.

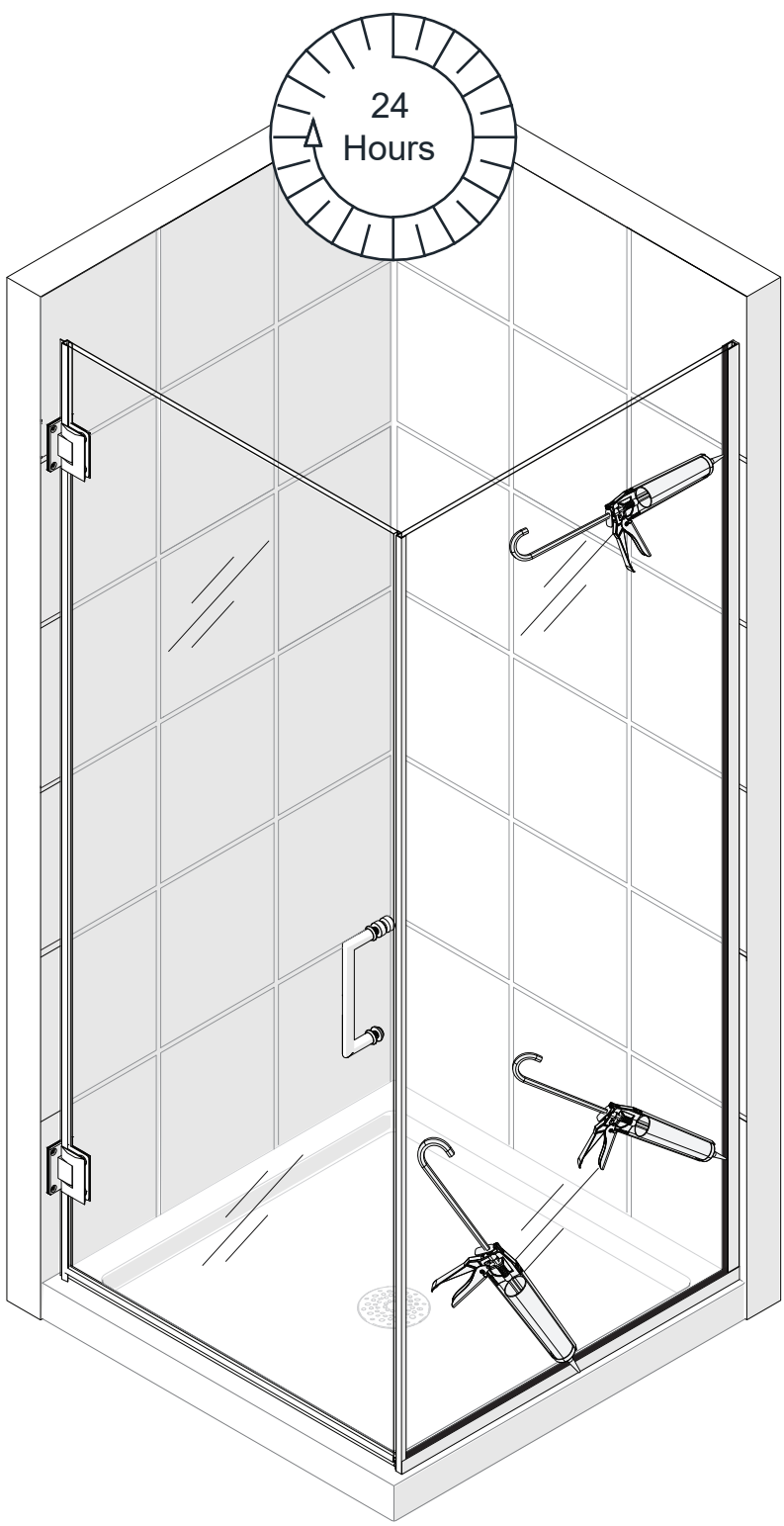
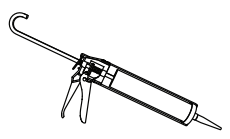


Fig 12



Allow 24 hours for the silicone caulk to cure before using shower.

Tools Needed



Product Maintenance

BASES and BACKWALLS: To ensure long lasting life for your acrylic back walls: wipe them off after each use with a soft cloth. To clean the acrylic back walls use non-abrasive sprays or cream based cleaners. Avoid the use of aerosol spray cleaners. Never use abrasive cleansers, metal brushes or scrapers that could permanently scratch or dull the surface.

GLASS: To ensure long lasting life for your glass shower products: wipe them off after each use with a soft cloth. Rinse and wipe off the glass using either a soft cloth or a squeegee to prevent soap buildup and water spots (Hard water can etch the surface of the glass over time if left to dry). To prevent scratching the surface: never use abrasive cleaners or cleaning products that contain scouring agents. Never use bristle brushes or abrasive sponges that may scratch the surface of the glass.

HARDWARE: To ensure a long lasting finish: wipe off all metal parts after each use with a soft cloth. Do not use abrasive cleaners or cleaning products containing ammonia, bleach or acid. If accidentally used, rinse the surface as soon as possible to prevent damage to the finish (peeling or corrosion). After cleaning the polished finishes, rinse thoroughly and wipe dry with a soft cleancloth.

Clean stainless steel surfaces at least once a week. When applying stainless steel cleaner or polish to stainless steel hardware, work with the grain (not across the grain). Never use an abrasive sponge or cloth, steel wool or wired brush as these may permanently scratch the surfaces.

NOTE To maximize the life of your door, it is important to regularly inspect the glass and other hardware for misalignment, proper attachment, and/or damage. Contact DreamLine® with any questions or concerns.

UNIDOOR Series (STYLE L) Shower Panel Maintenance Checklist

- Check that the unit is stable, operates smoothly and that the installation is secure
- Confirm that all screws are tight
- Confirm that all vinyl seals are intact (replace if missing or damaged to prevent leakage)
- Inspect exposed and concealed glass edges for damage
 - Damaged Glass Must be Replaced**
- Inspect silicone caulk for gaps. Replace silicone as necessary to prevent leakage

Troubleshooting

Problem/Symptom	Suggested Solution	page#
Missing Parts	<ul style="list-style-type: none"> • Check all shipping/packaging material for missing parts/components. • If not found, contact DreamLine Customer Support [1-866-731-2244] to order factory part replacement. 	----
Door does not close tight with the Return panel glass	<ul style="list-style-type: none"> • Check that the hinges are properly adjusted. (See Hinge Adjustment procedure in the door glass or hinge panel glass manual). • Check that the door and panel glass are properly aligned and that there is even clearance between the door and the Return panel. • Check that all vinyl seals are installed correctly. 	21-22
Top of the Return Panel (#26) is not flush with the top of the Door Glass	<ul style="list-style-type: none"> • Measure that the height of the Door and Return Panel Glass are at 72 inches (1828.8mm). • Refer to the Door Glass Manual for proper installation of the door. 	----
Leakage: beneath the Door, Bottom U-Channel (#29) and/or the Return Panel (#26)	<ul style="list-style-type: none"> • Inspect that all vinyl seals are properly installed. • Replace any damaged or missing vinyl seals. • Inspect the silicone and remove and replace as necessary. • Allow 24 hours for the silicone to cure before using the shower. 	19, 23



Prior to contacting DreamLine® Customer Service, please have the following information readily available:

- Purchase Order Information
 - Name, PO Number, Dealer/Vendor Name, etc.
- SKU/Model Number (see Page 2)
- Factory Part Information (see Page 26)

Factory Parts Information

UNIDOOR PLUS (Style L) Enclosure Panel		FACTORY PARTS INFORMATION	
ITEM #	FACTORY PART NUMBER	ITEM DESCRIPTION	QTY
09	041540 11 -1930 / 041540 41 -1930 / 041540 61 -1930 / 041540 91 -1930	U-Channel 1" Aluminum for 10mm (3/8in.) Glass	1 pc
11	010137109	Inline/Return Panel Glass (30" nominal)	1 pc
11*	010137111	*Return Panel Glass (34" nominal)	1 pc
13	07552148	Wall Anchor 8mm (5/16in.)	14 pcs
20	063017100-1829	90 Degree Strike Vinyl for 10mm (3/8in.) Glass	1 pc
23	092108	ST4.2×40mm Countersunk Screw	14 pcs
28	07550083	PVC Glass Spacer 0.5mm	1 pc
29	041540 11 -1118 / 041540 41 -1118 / 041540 61 -1118 / 041540 91 -1118	U-Channel 1" Aluminum for 10mm (3/8in.) Glass	1 pc

***Available for Unidoor-X Style L1 installation ONLY**

BOLD digit indicates finish:

- 1** = Chrome
- 4** = Brushed Nickel;
- 6** = Oil Rubbed Bronze;
- 9** = Satin Black

Contact Support@DreamLine.com for Part replacement, installation assistance or additional information.
Complete **Warranty** information is available on DreamLine.com.



TEL: 866-731-2244
FAX: 866-857-3638
DREAMLINE.COM



For more information on DreamLine® Shower Doors and Enclosures please visit **DreamLine.com**