



UNIDOOR MADRID

SHOWER DOOR AND INLINE PANEL INSTALLATION INSTRUCTIONS

PLEASE REVIEW THIS ENTIRE MANUAL PRIOR TO INSTALLATION



Model #:
D245872MB01-##

= Finish:
09 = Satin Black

left-hand swing door, right-hand inline panel installation shown

IMPORTANT!

DreamLine® reserves the right to alter, modify or redesign products at any time without prior notice for the purpose of product improvement and customer experience. Please refer to the model's web page on **DreamLine.com** for the latest technical drawings, installation manuals, warranty information or additional product details.

Do Not Return Product to the Store. Contact DreamLine® with any questions



Questions?

Please Call **DreamLine Customer Support: 1-866-731-2244**
Hours of Operation M-F 8AM - 6PM EST

Support@DreamLine.com





This model is treated with DreamLine’s exclusive ClearMax™ Glass technology. This is a specially formulated coating that prevents the build up of soap and water spots.

Install the surface with the ClearMax™ label towards the inside of the shower. Please note that depending on the model, the glass may be coated on either one or both surfaces.

For best results, squeegee the glass after each use and dry with a soft cloth.

Record the following purchase information for your records or in the event you need to contact DreamLine®:

Purchase Order Number _____

Store/Vendor Purchased From _____

Installation Date _____

OD Number* (optional) _____
*located on the shipping box or label if available

Installed By: _____

SKU Number _____

Table of Contents

Section Title	Page #
ClearMax [®] Coating Information	—
Warnings and General Preparation	2
Required Reinforcement Information	3
Unidoor Glass-to-Wall Hinge and Handle Location	4
Model Specific Preparation	5
Tools	6
Detailed Diagram of Shower Door and Inline Panel Components	7
Parts List	8-9
Installation Steps	10-36
PVC Hinge Spacer Information (if necessary)	11
Handle Installation	15-16
Bottom Sweep Vinyl Installation	17
Hinge Side Vinyl Seal Installation	18-19
Hinge Assembly Adjustment Procedure	20
Towel Bar Installation	34
180° Strike Vinyl Installation	35
Product Maintenance	37
Troubleshooting	38
Factory Parts Information	39

Symbol Legend



TIP - for ease of installation.



CORRECT - recommended.



NOTE - take note of special feature; additional information.

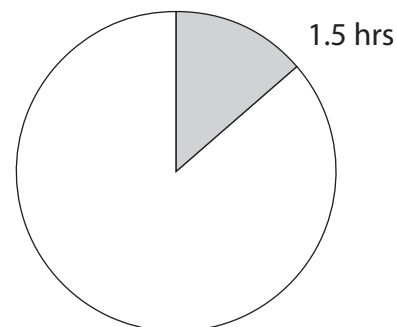


INCORRECT - not recommended.



REQUIRED - requires special attention; signifies a warning.

Average Installation Time





IMPORTANT

- DreamLine® reserves the right to alter, modify or redesign products any time without prior notice for product improvement and customer experience. Please refer to the model's web page on DreamLine.com for the latest technical drawings, installation manuals, warranty information or additional product details.
- This product should be installed by someone familiar with the construction requirements for this type of project and the care necessary for the safe installation and operation of the product.
- The safety of any installation is the responsibility of the installer.
- Professional installation recommended. (*All Models*)
- Professional installation required. (*Enigma Series*)
- To prevent damage or serious injury, Do Not lean against the installed panel/door/glass.
- To prevent damage or serious injury: Do Not attempt to lift or move a heavy lite of glass alone. Use an assistant and/or a professional grade glass suction cup.
- The installation of some models may require drilling down into the threshold. Contact the manufacturer of the base, tub, or threshold material with any questions regarding the drilling of holes into their product.
- All drawings in this installation manual are for illustrative purposes only and are not drawn to scale.

TEMPERED GLASS WARNING

- Your Shower Door Glass Could Shatter Without Warning if Improperly Installed or Mishandled
- Do Not install or operate a shower door if the glass has chipped corners, slivered edges or is otherwise damaged and/or has been dropped or banged into a hard surface such as tile, marble or glass.
- **The main causes of tempered glass breakage are:**
 - Improper handling, storage or installation
 - Misuse/abuse
 - Lack of maintenance
 - Failure to replace damaged glass
 - **Improper handling during storage, unpacking and installation:**
 - Corners and edges are the most susceptible area to damage on a lite of tempered glass and should be protected and handled with care during storage, unpacking, installation and operation. A concentrated point of pressure or impact with a surface harder than itself may cause the tempered glass to shatter. The tempered glass may release immediately, within several hours or even days later.
 - **Incorrect installation of door hardware, rollers, hinges, channels, stopper or glass:**
 - Improper installation may include: loose hardware and/or lack of proper gaskets between the hardware and glass. Additionally, improper alignment of guide rails, wall profiles or other hardware during installation or operation may place stress on the glass edges and cause it to break.
 - This product must be installed by a professional and experienced installer familiar with the safe handling of tempered glass.
 - **Improper use of this product:**
 - Aggressively opening or closing the door may cause trauma to the glass, which can lead to breakage. This may occur immediately or hours or even days later.
 - **The shower door hardware and glass should be inspected periodically:**
 - Instruct the homeowner how to perform a periodic inspection of the shower hardware and glass - some minor adjustments may be necessary based upon the use (or misuse) of the shower door. Ensure that the hardware remains tight and that the door alignment and operation are correct. Any adjustments should be made upon discovery to prevent damage to the product.
 - Additional considerations should be given to the installation of frameless tempered glass products in households with young children or an elderly person due to an increased chance of improper handling. In such cases, alternatives such as shower curtains or grab bars should be considered.

GENERAL PREPARATION

- After opening all boxes and packages, read this introduction carefully. Check that all the items are included in the package by marking off the components on the "**Detailed Diagram of Product Components**" page. Examine all boxes and packages for shipping damage. If the unit has been damaged, has a finishing defect, or is missing parts; please contact our Customer Support department within 3 business days of the delivery date. **Please note that DreamLine® will not replace any damaged products or missing parts free of charge after 3 business days or if the product has been installed.** Please contact DreamLine® if you have any questions.
- **Please note that you should refer to your local building codes with questions on installation compliance standards. Building and plumbing codes may vary by location, and DreamLine® is not responsible for code compliance standards for your project and will not accept any returns.**
- If this unit is going to be installed in a new construction, install all the required plumbing and drainage before installing the shower. **Use a competent and licensed (if required by local code) plumber for all plumbing installation.**
- Make sure that prior to beginning the installation, the surfaces are leveled and solid and will be able to support the total weight of the unit. Also make sure the walls are at right angles. Irregular installation surface level, radius corners or improper angle of side walls will result in serious problems for your installation. Please note that some adjustments and drilling will be necessary during the installation process.
- Protect all primary surfaces of the product during installation. Never set your glass down directly onto a tile floor. Leave corner protectors in place until it is necessary to remove them. Always use a piece of wood or cardboard to protect the bottom edge and corners of the glass prior to and during installation.
- This unit must be installed upon a finished threshold and against finished walls.
- *DreamLine® shower doors are not designed to be installed into a fiberglass surround due to the radius corners and lack of a solid surface to mount the hardware.*

WARNING: TO AVOID THE RISK OF DAMAGE OR INJURY:

- **Follow all recommendations and requirements as shown in the installation instructions.**
- Perform a thorough inspection of the glass and all parts for any damage prior to installation. Any damage to tempered glass can cause breakage. **Do Not install damaged glass!**
- Do Not install or operate a shower or tub door if the glass has chipped corners, slivered edges or is otherwise damaged. Do Not install or operate a shower or tub door that has been dropped or banged into a hard surface such as tile, marble or glass.
- **CAUTION:** Contact with any hard surface can damage tempered glass and cause it to shatter.
- This product uses tempered glass. Glass cannot be cut after it has been tempered. **Do Not attempt to cut tempered glass.**
- DreamLine® Glass Shower doors, Tub doors, Inline panels, and Return panels can shatter due to improper handling or lack of maintenance. Conduct periodic inspections of glass and all parts for possible damage, missing or loose parts.
- Always wear proper safety equipment such as: safety goggles, work gloves and appropriate footwear during the installation process.
- **WARNING. Risk of leakage and/or damage.** Follow all instructions regarding the application of silicone sealant or caulk. Allow 24 hours for the sealant to cure before the initial use of the shower or tub product. Follow the silicone manufacturer's recommendations regarding the use of their product.
- **Thoroughly read these instructions before installing or using this product.**
- **Leave this manual for the end-user of the product.**



This product should be installed by someone familiar with the construction requirements for this type of project and the care necessary for the safe installation and operation of the product.



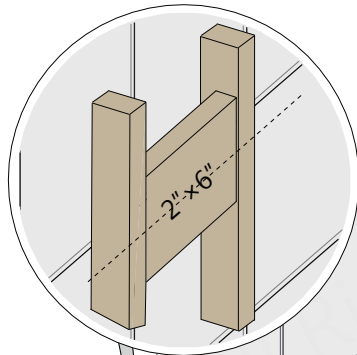
Required Reinforcement Information



Install **DOUBLE STUDS** OR install **2"×6" WOOD BLOCKING** between the studs on the Door side where the Hinge Assemblies (#05) will attach to the wall.

Double Studs

OR



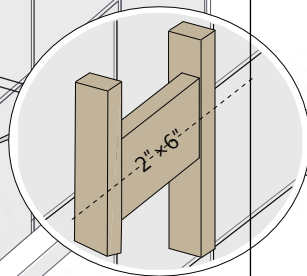
2"×6"



64-1/8"
(1629mm)
from threshold

55-5/8"
(1413mm)

72"
(1829mm)
from threshold



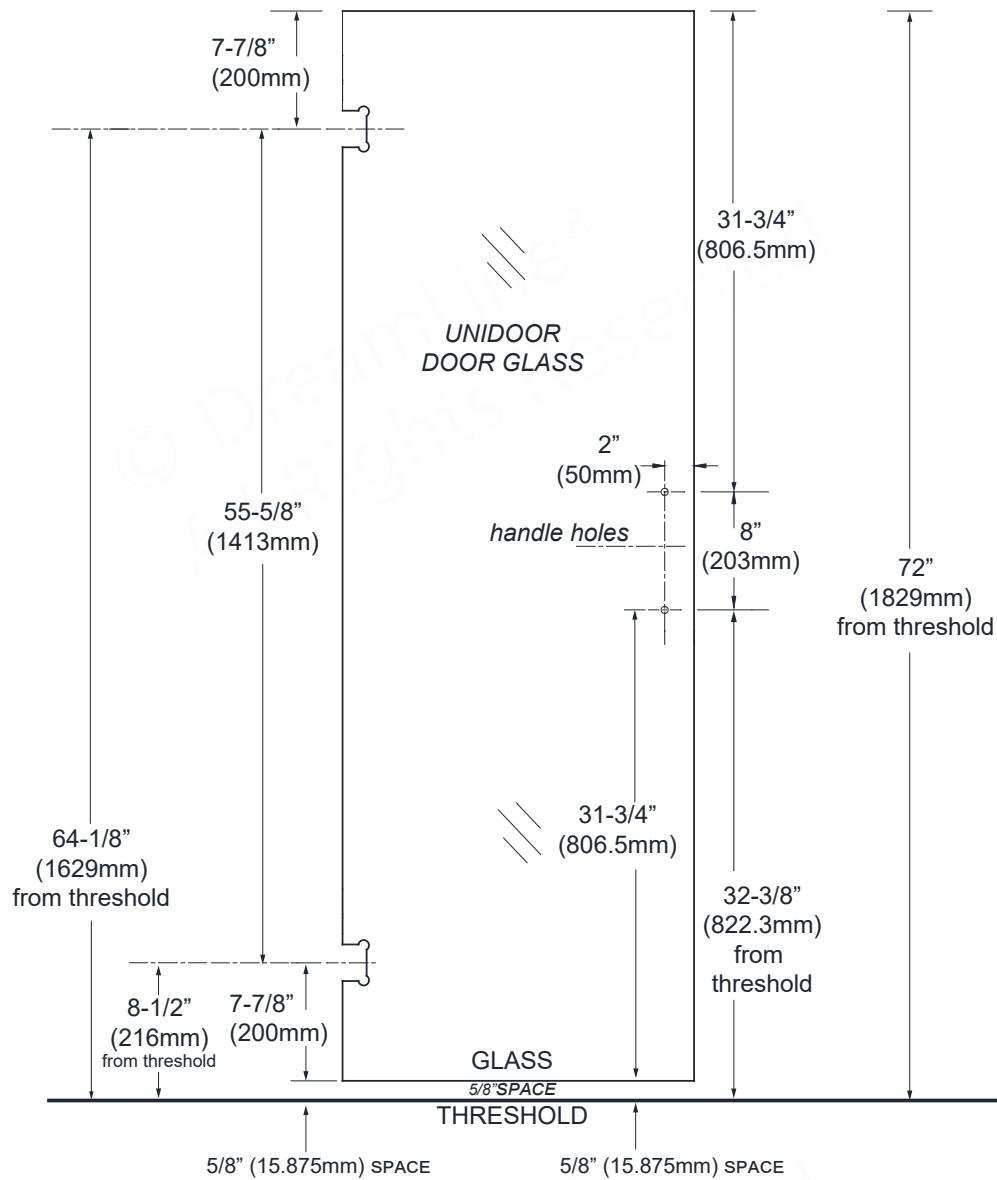
2"×6"

8-1/2"
(216mm)

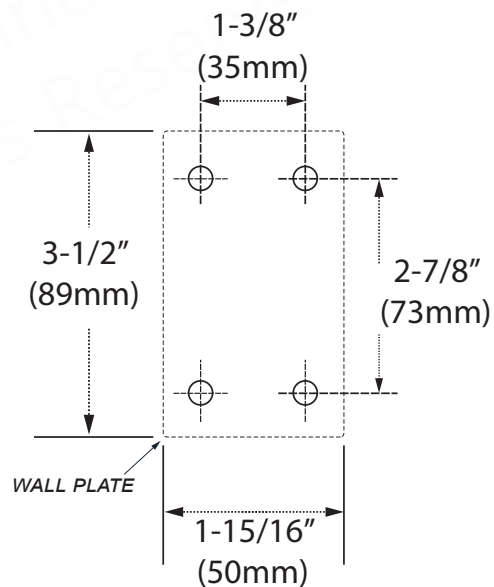
threshold

5/8" (16mm)
*space beneath
installed
door glass

UNIDOOR Glass-to-Wall Hinge and Handle Location



Hinge Assembly Wall Plate Hole Layout



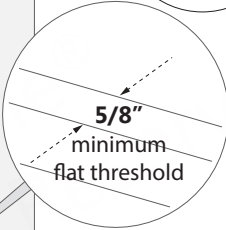
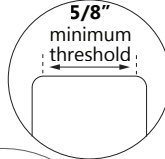
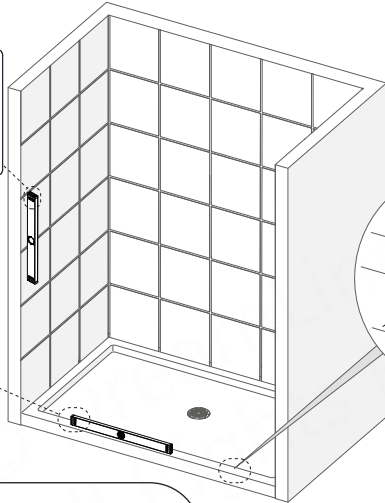
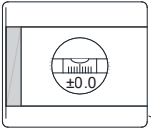
Model Specific Preparation

REQUIRED:

1/2" Out-of-Plumb Adjustment within the u-channel; Verify threshold and walls with a level



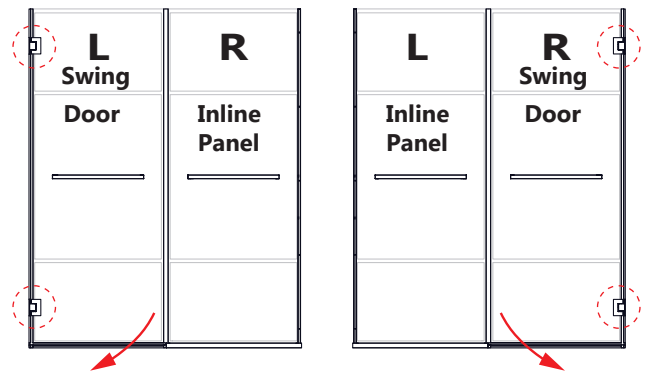
Threshold must be level



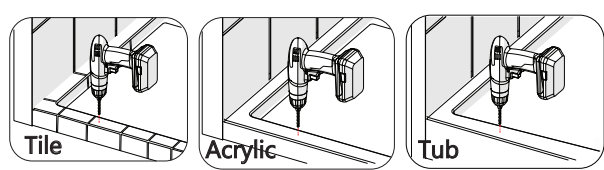
Leave corner protectors on the glass until it is necessary to remove them!



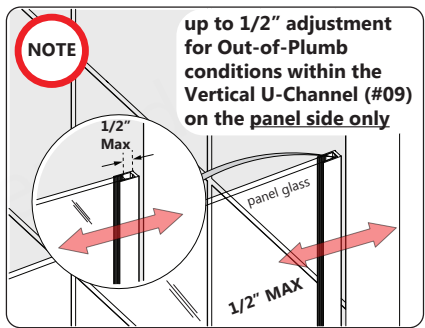
The PVC Hinge Spacers (#31) can be used to compensate for a minor out-of-plumb condition on the hinge-side wall up to 1/4" (6mm) and should only be used behind ONE Hinge Assembly (#05). Confirm the finished wall conditions with a level before drilling any holes. Unnecessary use of these spacers can compromise the fit of the door. (see Page 11 for more information)



The UNIDOOR MADRID is reversible for right- or left-swing door installation. The left-swing door installation is shown as an example throughout this manual. For the right-swing door installation, simply begin on the opposite wall and reverse the orientation of the steps shown.



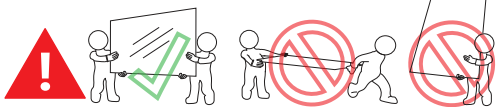
NOTE Contact the manufacturer of the base, tub or threshold material with any questions regarding the drilling of holes into their product.



right-hand inline panel glass installation shown

DO NOT attach the Handle/TowelBar to the Glass until instructed. **DO NOT** use the handle to lift the glass during installation. This may result in damage to the glass and/or serious personal injury. Always use an assistant and/or a professional-grade glass suction cup when handling heavy glass panels.

The glass-to-wall hinges require installation into a double stud or 2x6 wood reinforcement. (see page 3 for more information)

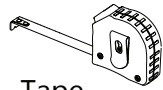


Professional installation and two installers recommended for this model

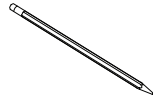
Tools



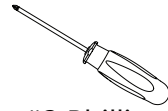
Level



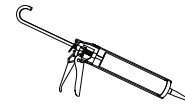
Tape Measure



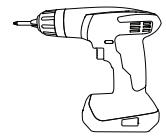
Pencil



#2 Phillips Screwdriver



Silicone



Power Drill



Drill Bit
Ø1/8"
(3mm)



Drill Bit
Ø1/4"
(6mm)



Drill Bit
Ø5/16"
(8mm)



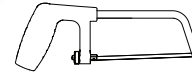
Drill Bit
Ø3/8"
(10mm)



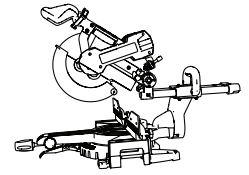
#2 Phillips Driver Bit



Extended driver bit



Hacksaw and miter box



Miter Saw



Diamond-Tipped Drill Bit
(Optional--for porcelain tile)



Soft Head Hammer



Safety Glasses



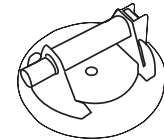
Work Gloves



Painter's Tape



Razor Knife



Professional-Grade Glass Suction Cup
(Optional but Recommended)



Verify that the correct model size has been ordered: measure the finished opening **before** proceeding with the installation.

Confirm that the finished walls are plumb and the threshold is level and pitched into the shower area.

Use a good quality waterproof, mildew-resistant 100% silicone caulk.

Cover the shower/tub drain with tape prior to installation to prevent the loss of screws or small parts.

To prevent stripping the screw heads, set power drill to a low setting when installing screws.

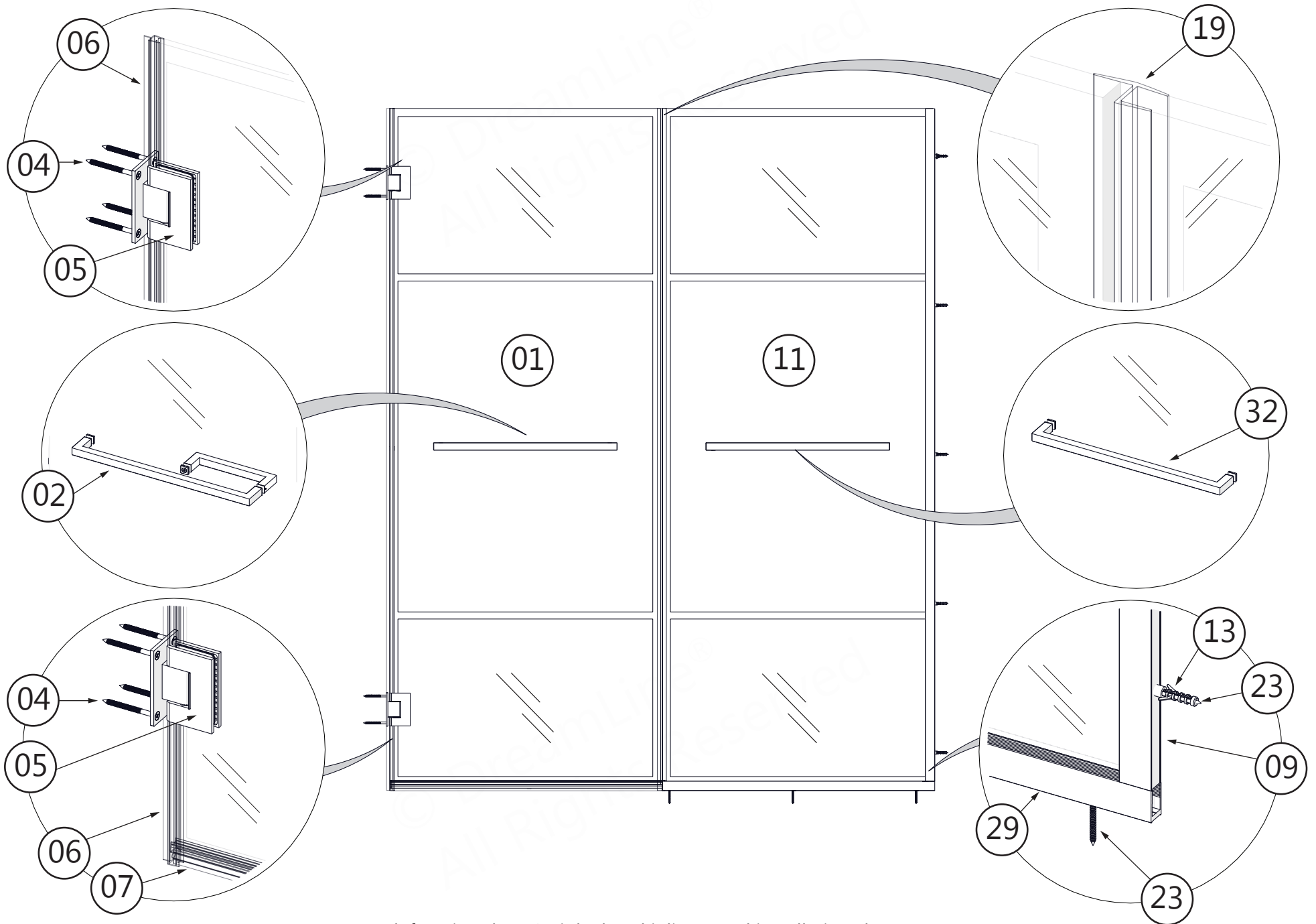


Unpack your unit carefully and inspect it. Lay it out and identify all parts using the **Detailed Diagram** on page 7; and packing list in this manual as a reference. Before discarding the carton, check for small hardware bags that may have fallen to the bottom of the box. If any parts are damaged or missing, please contact DreamLine® for replacement. The shipping boxes may contain extra parts not used in your model configuration. Retain these installation instructions for future reference.



Retain these installation instructions for future reference.

Detailed Diagram of Shower Door and Inline Panel Components



(left-swing door & right-hand inline panel installation shown)

Parts List

01

Door Glass **x1**

02

Handle **x1**

04

ST5.5×70mm
Countersunk Screw **x11**

05

Hinge Assembly **x2**

06

Hinge Side
Strike Vinyl **x1**

07

Bottom Sweep Vinyl **x1**

09

Vertical U-Channel **x1**

11

Inline Panel Glass **x1**

13

Wall Anchor 8mm **x11**

19

180° Inline Strike Vinyl **x1**

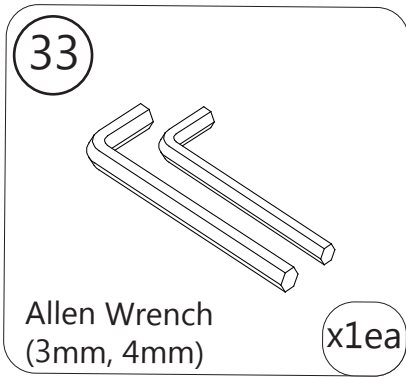
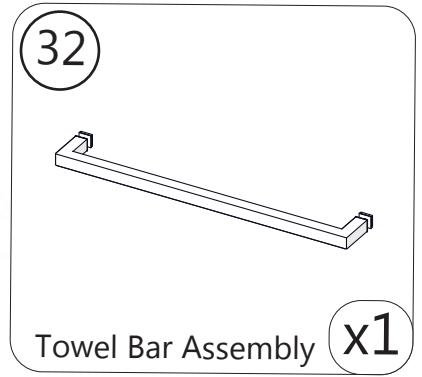
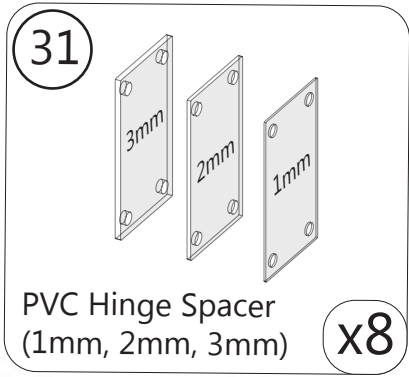
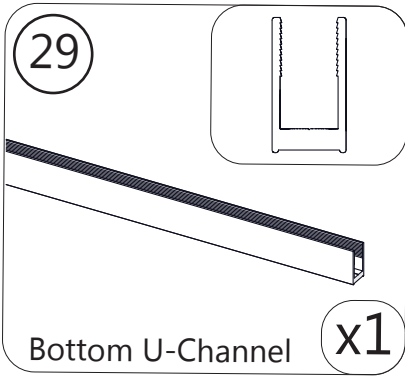
23

ST4.2×40mm
Countersunk Screw **x11**

28

PVC Glass Spacer 0.5mm
(x 36" [914.4mm] roll) **x1**

Parts List



Installation Steps

1

TIP

Install the hinges centered in the cutout and flush with the edge of the Door Glass

NOTE

The Adjustable Hinge Assemblies are factory pre-set to overclose to 85° to create a tight seal with the Strike Vinyl. See Page 21 for Hinge Adjustment details after installation.

NOTE

The door glass can be flipped for left or right swing door installation. The Pattern must be on the outside and ClearMax label must be on the inside.

TIP

Clean the **Hinge gaskets** and the glass around the hinge notch with an alcohol swab or glass cleaner prior to attaching the **Hinge Assemblies (#05)** to the **Door Glass (#01)**.

!

Never set glass down directly onto a tile or concrete floor surface. Always use a piece of wood or cardboard and leave the corner protectors and shims on the glass until it becomes necessary to remove them. Always protect the bottom edge and corners of the glass from damage which could lead to breakage and/or serious personal injury.

!

Fully and evenly tighten the hinge bolts by hand. It is normal to hear the gaskets compress onto the glass.

Leave corner protectors on the glass until it is necessary to remove them!

!

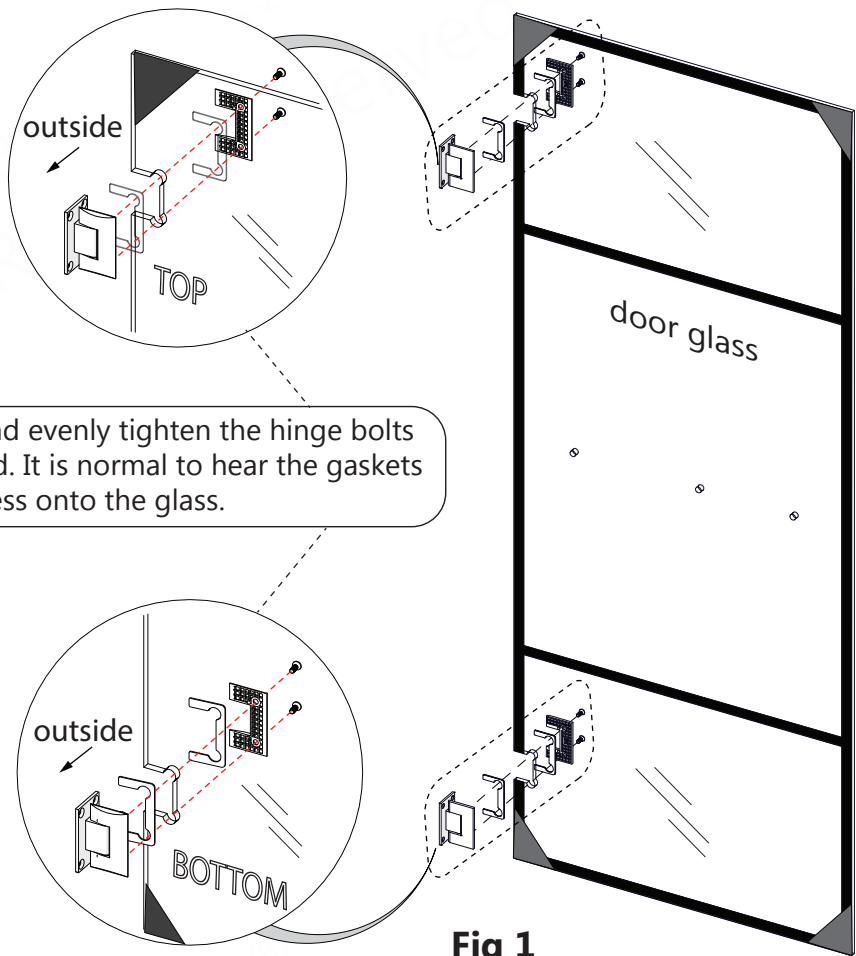
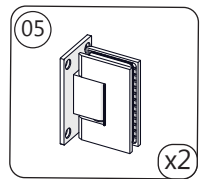
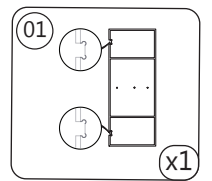


Fig 1 (left-swing door installation shown)

Parts Needed



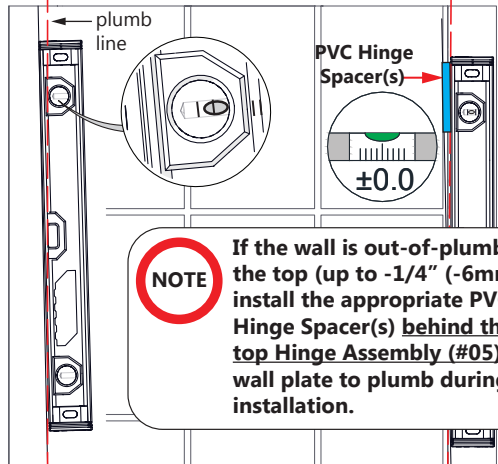
Tools Needed



1a

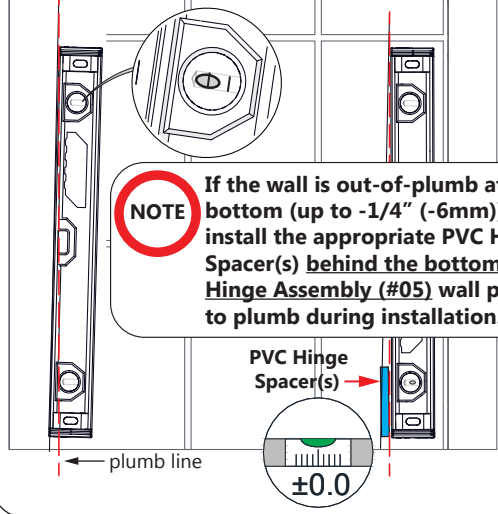
PVC Hinge Spacer Information (use only if necessary)

Hinge side wall out at the top



NOTE If the wall is out-of-plumb at the top (up to -1/4" (-6mm)), install the appropriate PVC Hinge Spacer(s) **behind the top Hinge Assembly (#05) wall plate** to plumb during installation.

Hinge side wall out at the bottom



NOTE If the wall is out-of-plumb at the bottom (up to -1/4" (-6mm)), install the appropriate PVC Hinge Spacer(s) **behind the bottom Hinge Assembly (#05) wall plate** to plumb during installation.

NOTE Only use spacer(s) as necessary behind one hinge, not both.

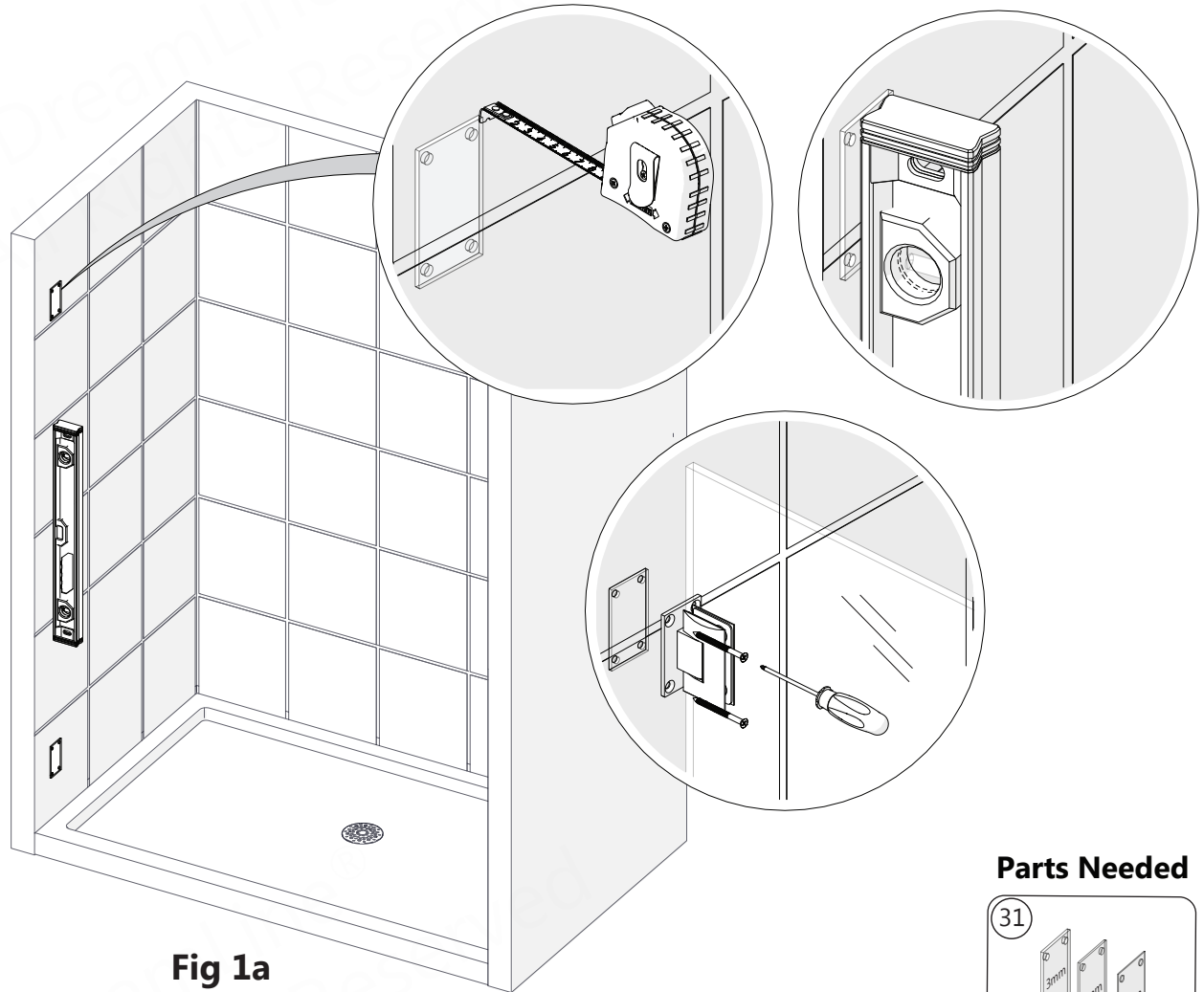
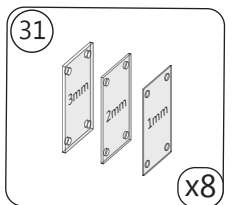


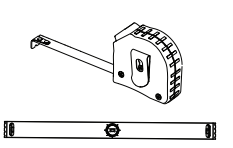
Fig 1a

The included **PVC Hinge Spacers (#31)** are provided to compensate for **up to 1/4" (6mm) of minor out-of-plumb conditions on the hinge-side wall**. Unnecessary use of the PVC Hinge Spacers could reduce the required opening size for the door glass.

Parts Needed



Tools Needed



2



Check the **Door Glass (#01)** with a level to verify it is plumb BEFORE marking the **Hinge Assembly (#05)** positions on the wall.

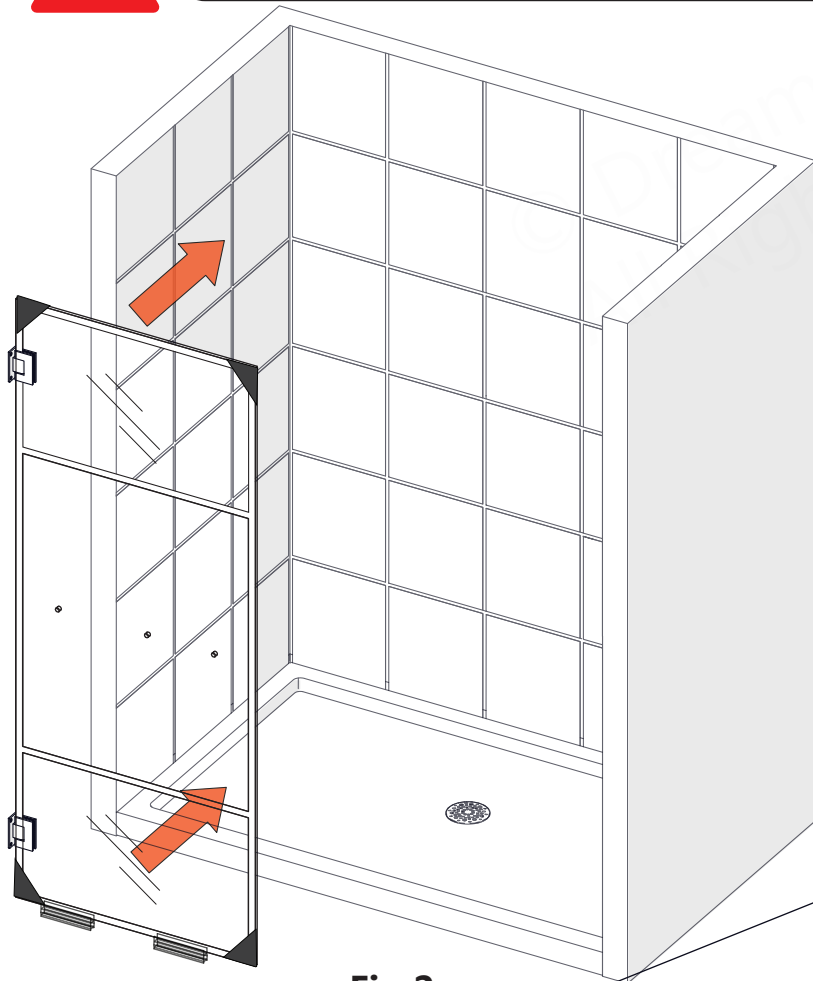


Fig 2a

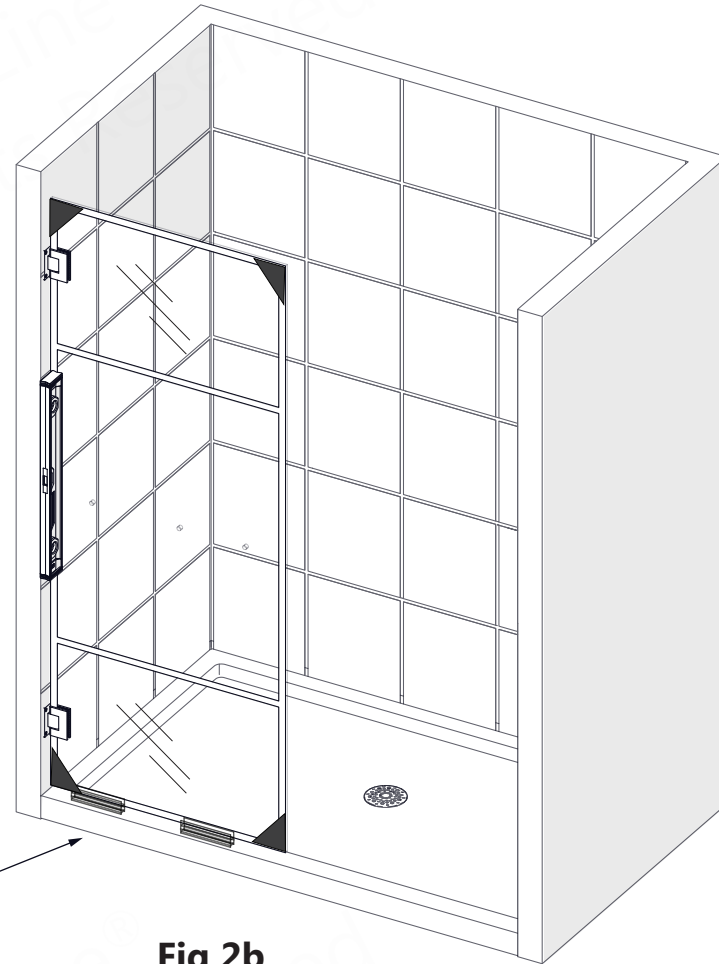
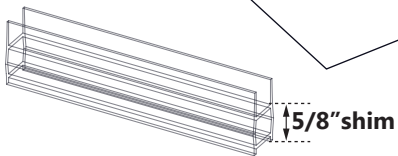


Fig 2b

left-swing door installation shown



5/8" shim

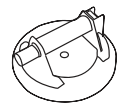


Use the provided 5/8" (16mm) spacer shims when positioning the **Door Glass (#01)** to maintain the proper spacing between the bottom of the Door Glass and the threshold. Secure the spacers to the glass with tape if necessary. (5/8" (16 mm) wood or plastic shims may also be used on the threshold)



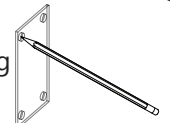
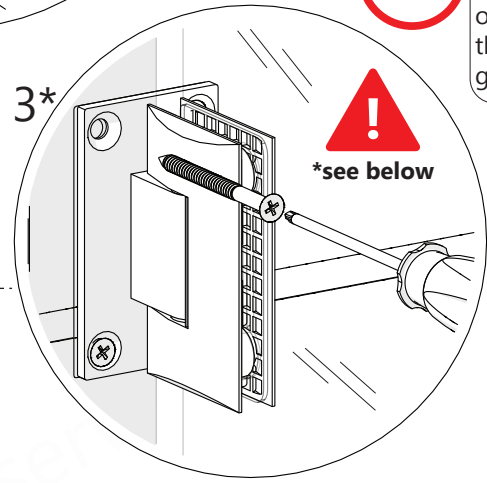
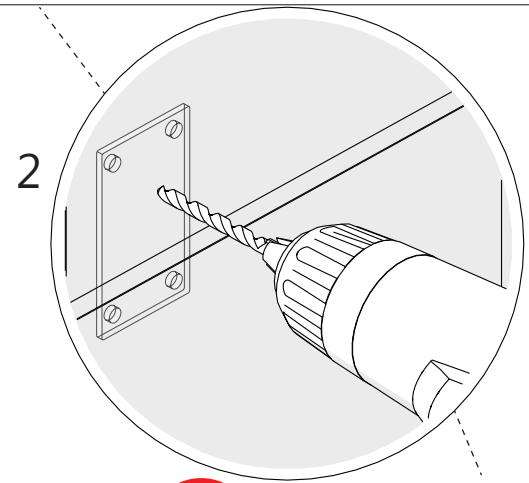
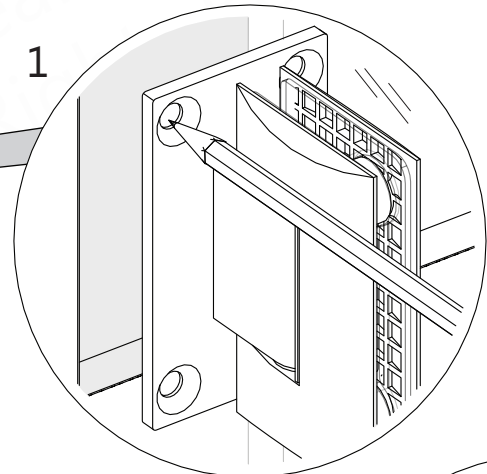
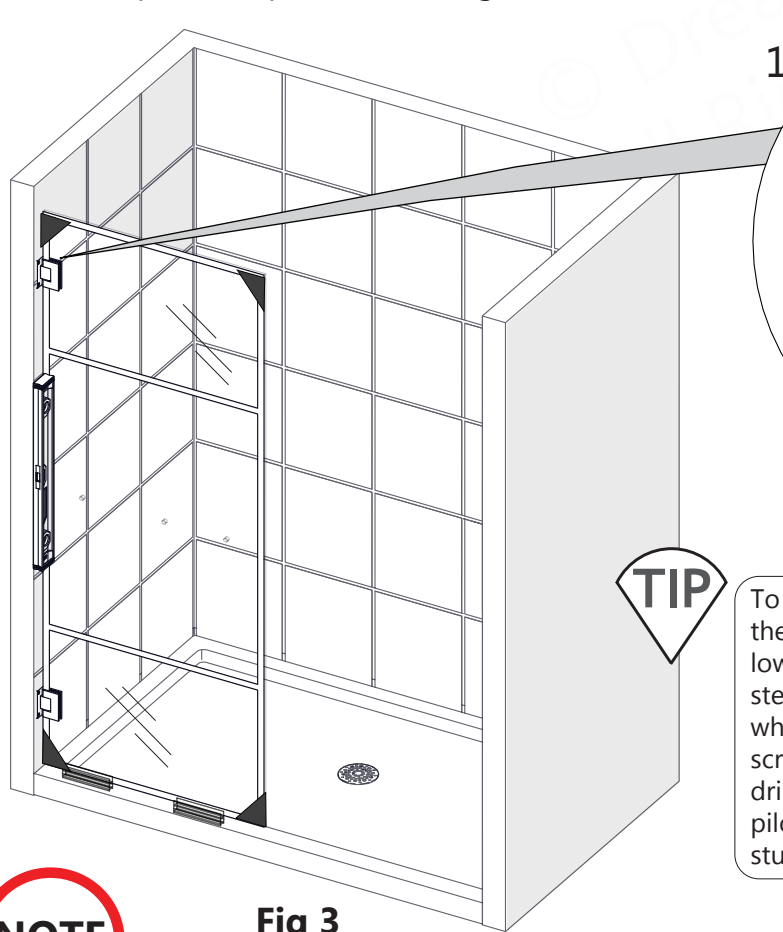
Use the 72" (1829 mm) **180° Inline Strike Vinyl (#19)** (packaged with the Inline Panel Glass) as a height reference to be sure that the Door Glass height will match the Inline Panel height at 72" (1829 mm).

Tools Needed



3 Door Glass Installation OPTION A: (Install Door Glass with the hinges attached) Use caution while installing the hinge to the wall to avoid scratching the finished surface of the **Hinge Assembly (#05)** face plates. The manufacturer recommends using an extension driver bit to install these long screws. Painter's Tape can also be used on the face plates to protect the hinge finish.

TIP The **PVC Hinge Spacers (#31)** can be used as a template to assist with marking the hinge mounting holes accurately

NOTE Use a diamond-tipped bit and low torque when drilling into porcelain or other hard tile surface. Follow the drill bit manufacturer's guidelines for proper use.

TIP To prevent stripping the screw heads, use low torque and steady pressure when installing the screws. Make sure to drill $\text{\O}1/8''$ (3mm) pilot holes into the studs.

NOTE

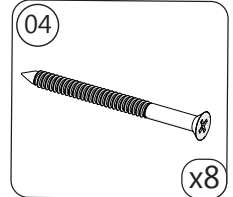
For installation into a **stud** or other **wood reinforcement** behind the finished wall (**Required**):

- drill a $\text{\O}1/4''$ (6mm) hole up to the stud, drill an $\text{\O}1/8''$ (3mm) pilot hole into the stud and use the **ST5.5 x 70mm Countersunk Screws (#04)**.

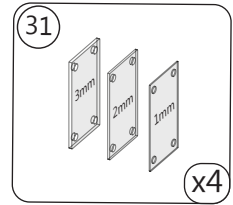


***If Minor Out-of-Plumb Conditions were discovered in Step 1a:** Use the appropriate **PVC Hinge Spacer(s) (#31)** behind the **Hinge Assembly (#05)** before securing them to the wall with the **ST5.5 x 70mm Countersunk Screws (#04)** (see pg 11)

Parts Needed



***if necessary**



Tools Needed

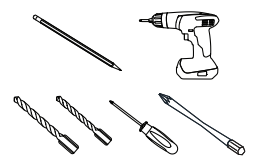


Fig 3

4 **Door Glass Installation OPTION B: (Install the Hinges to the wall First):** Mark holes for drilling. Remove the hinges from the door glass. Drill the holes and attach the hinges to the wall. Set the **Door Glass (#01)** onto the 5/8" shims and use an assistant to re-install the door glass onto the hinges.

TIP Use caution when installing the hinges to the wall to avoid scratching the finished surface of the **Hinge Assembly (#05)** face plates. The manufacturer recommends using an extension driver bit to install these long screws. Painter's Tape can also be used to protect the hinge plates.

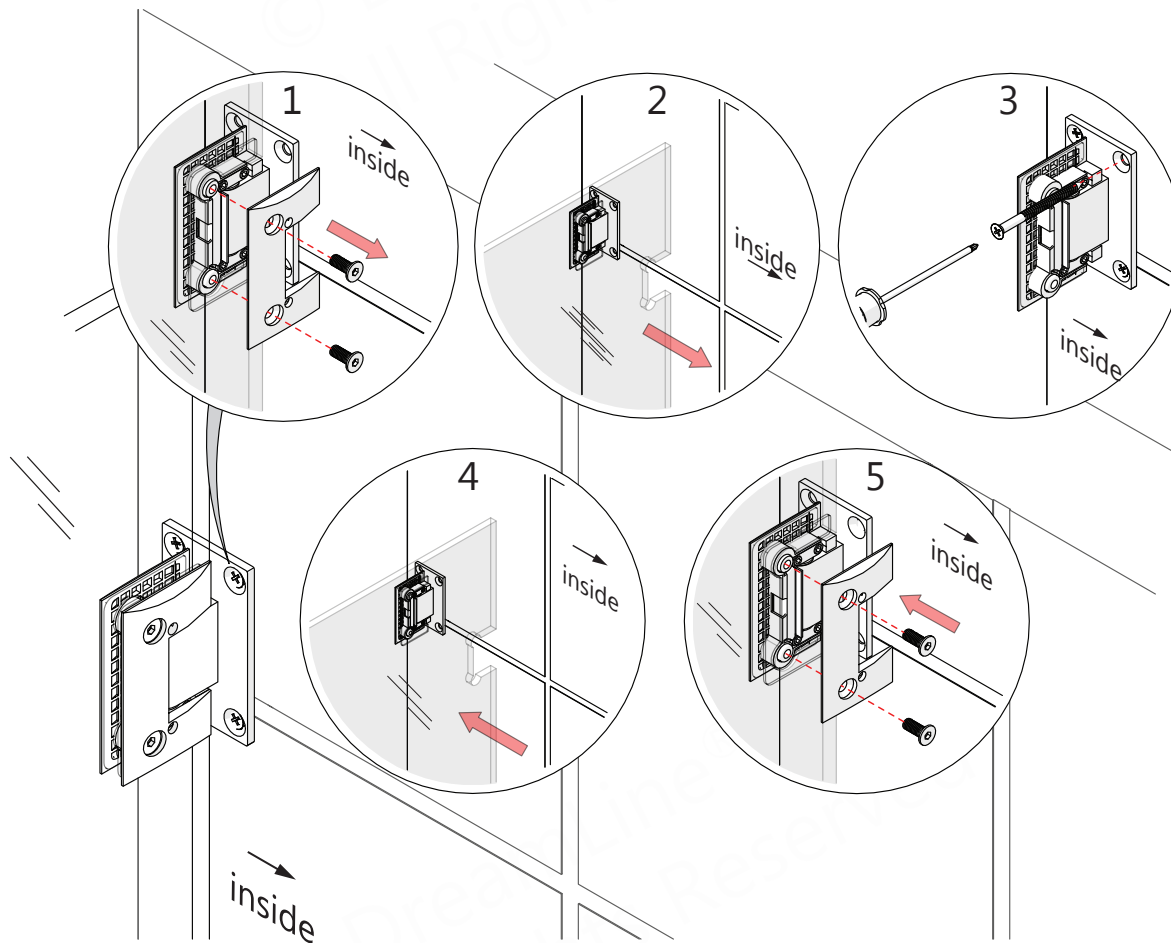


Fig 4

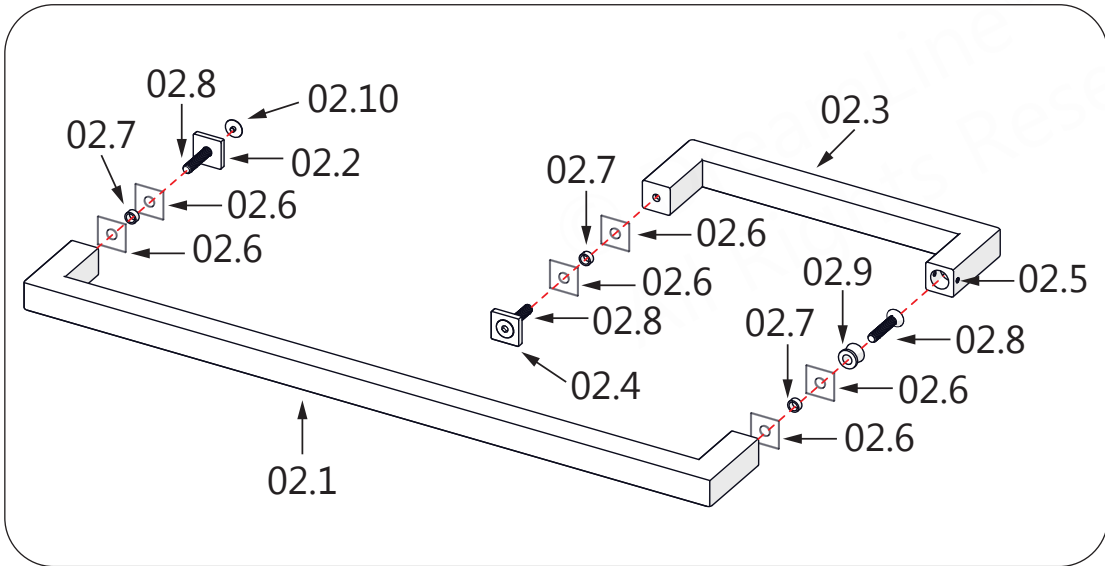
!
Fully and evenly tighten the hinge bolts by hand. It is normal to hear the gaskets compressing onto the glass.

NOTE Refer to the **Hinge Assembly Adjustment Procedure** on **page 20** to adjust the closing angle of the **Hinge Assemblies (#05)** after the door glass has been installed.

Tools Needed

5a

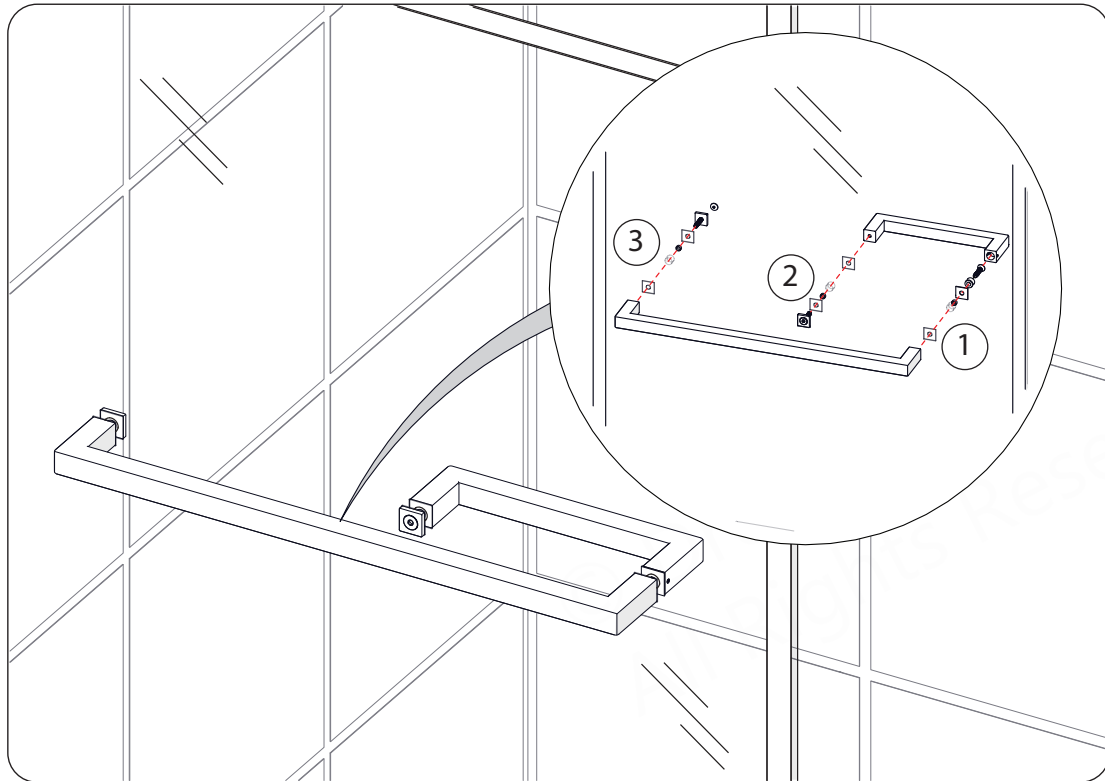
Handle Installation



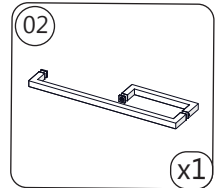
Item	Item Description	Quantity
02.1	Towel Bar	1pc
02.2	Towel Bar End Cap	1pc
02.3	Handle	1pc
02.4	Handle Bar End Cap	1pc
02.5	M4 Set Screw	2 pcs
02.6	Vinyl Gasket	6 pcs
02.7	PVC Screw Sleeve	3 pcs
02.8	M6×18 Flat Head Screw	3 pcs
02.9	Conical Screw Lock Bushing	1pc
02.10	M6×18 Flat Head Screw Cap	1pc



Do Not attempt to lift the Door Glass using the Handle!



Parts Needed



Tools Needed



Fig 5a

5b

Handle Installation

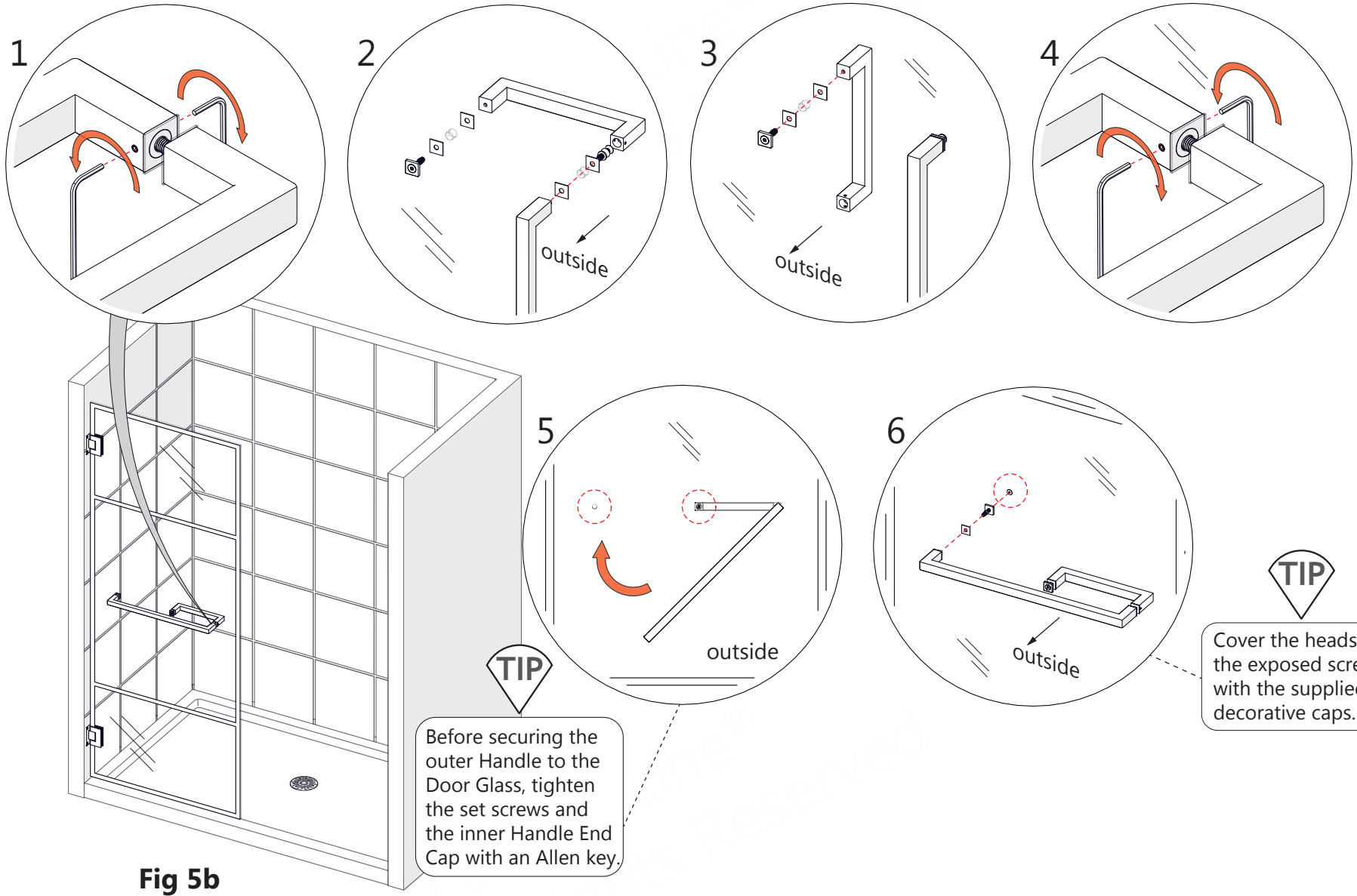


Fig 5b

left-swing door installation shown



To prevent glass-to-metal contact, ensure the vinyl gaskets (#02.6) and PVC screw sleeves (#02.7) are present between the Handle (#02.1/02.3) and the Door Glass (#01).

Tools Needed



6

Bottom Sweep Vinyl Installation

NOTE

If necessary, cut the **Bottom Sweep Vinyl Seal (#07)** to match the width of the **Door Glass (#01)**.

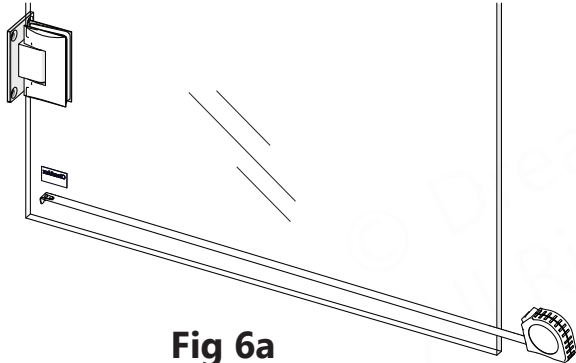


Fig 6a

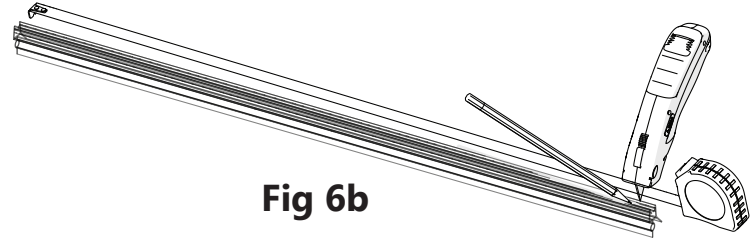


Fig 6b

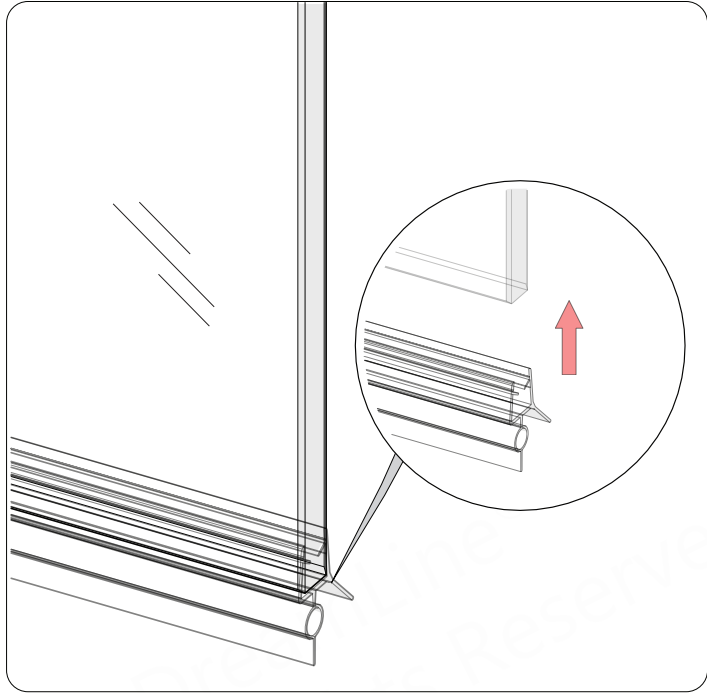
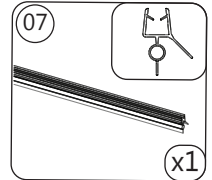


Fig 6c

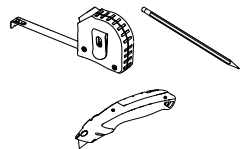
NOTE

Press the **Bottom Sweep Vinyl Seal (#07)** onto the bottom edge of the **Door Glass (#01)**.

Parts Needed



Tools Needed

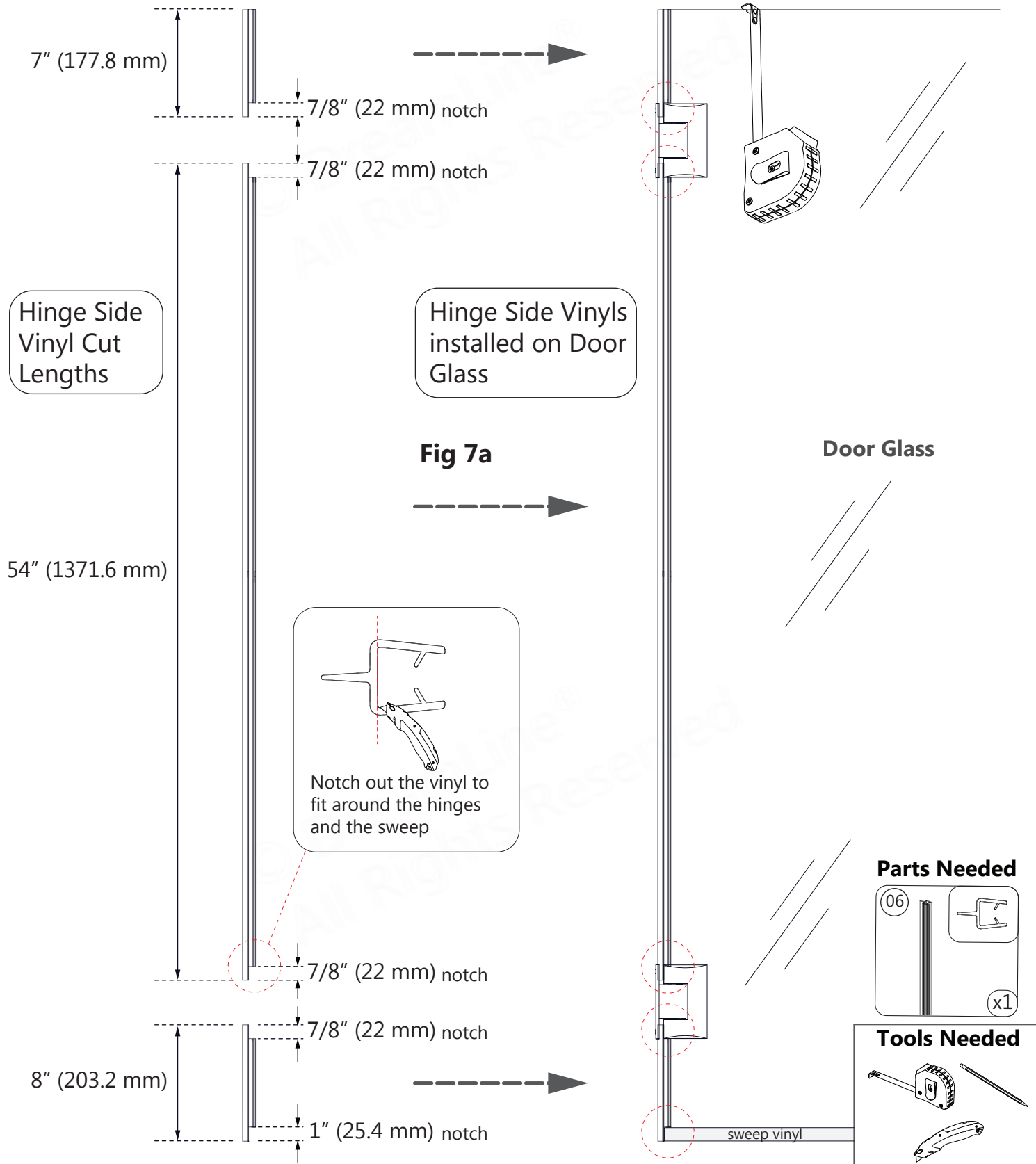


Hinge Side Vinyl Seal Installation

7a

NOTE

Cut the **Hinge Side Vinyl Seal (#06)** into three sections with a razor utility knife and notch according to the diagram below to fit around the hinges and sweep vinyl to prevent leakage. **Fig 7a**



7b

Hinge Side Vinyl Seal Installation

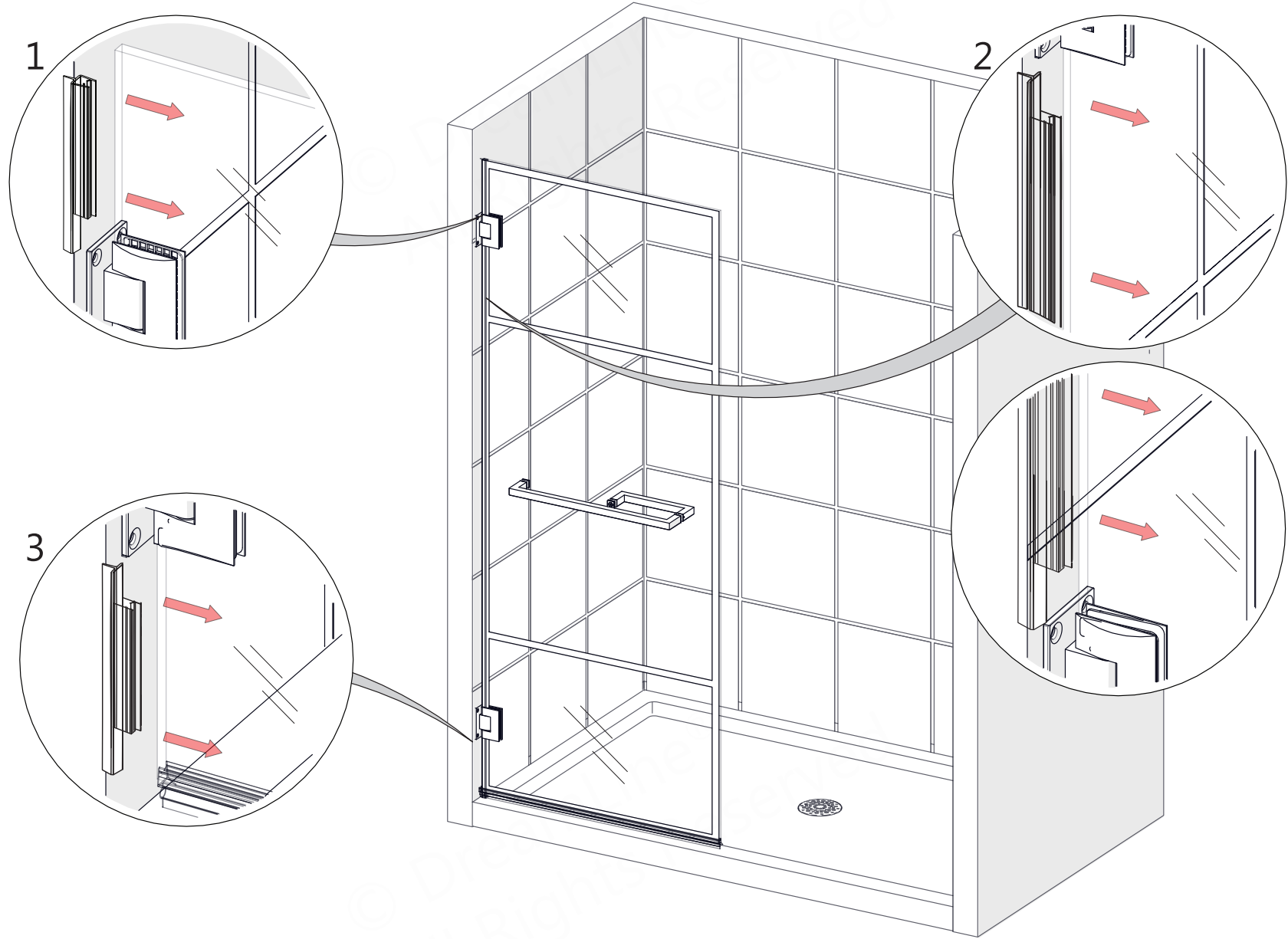


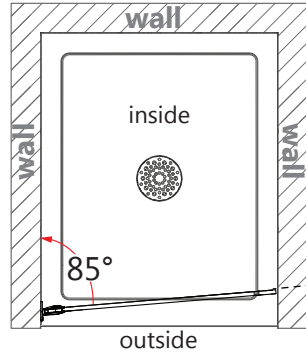
Fig 7b

(left-swing door installation shown)

Hinge Assembly Adjustment Procedure

NOTE

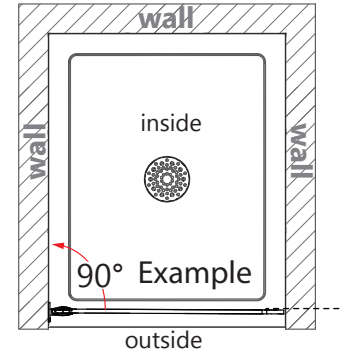
The **Hinge Assemblies (#05)** are preset to overclose at 85° for a tight seal against the strike vinyl. The adjustment feature on the hinge assemblies is used to change the closing angle of the door only. Remove the **180° Inline Strike Vinyl (#19)** before making any adjustments to the hinges. Both the top and bottom **Hinge Assemblies (#05)** must be adjusted at the same time and to the same angle during adjustment.



hinges adjusted to overclose before installing the strike vinyl seal

The Adjustable Hinge Assemblies are factory to overclose to 85° to create a tight seal with the Strike Vinyl. If strike vinyl is not used, the hinges can be adjusted to close to a different angle (90° for example).

Overhead view of UNIDOOR (left-swing installation shown)



outside

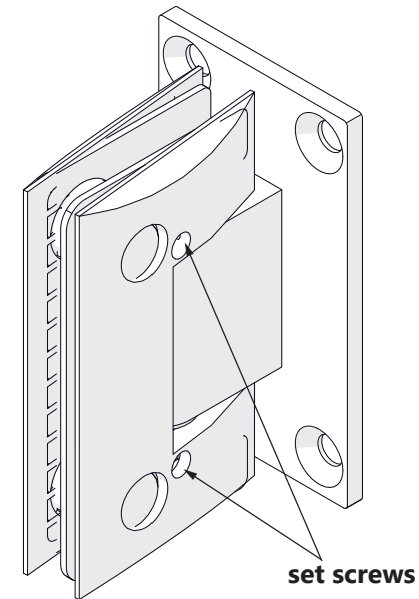
NOTE

Do not adjust the hinges separately or before installation. This could lead to problems with the hinges operating together correctly.

How to Adjust the Hinge Assemblies

Once the **Door Glass (#01)** is installed:

- Hold the door in the closed position and loosen the set screws on **both** hinges with the supplied Allen Key
- Move the door to the new desired closed position
- While holding the door in the new closed position, retighten the set screws on both hinges
- The Door Glass will now self-center to the new chosen closed position setting

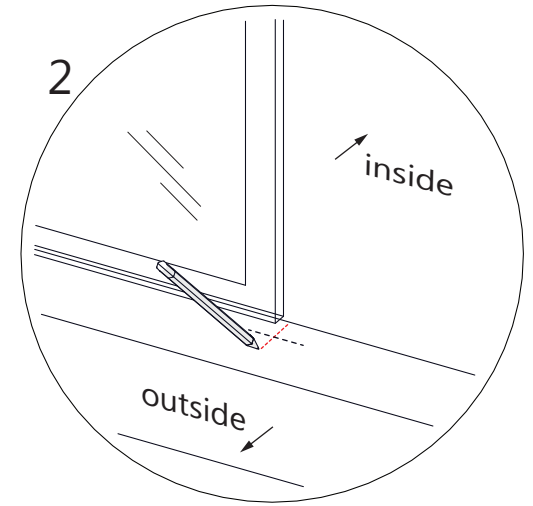
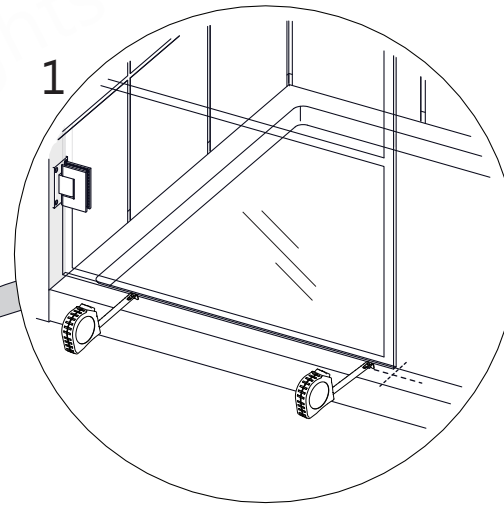
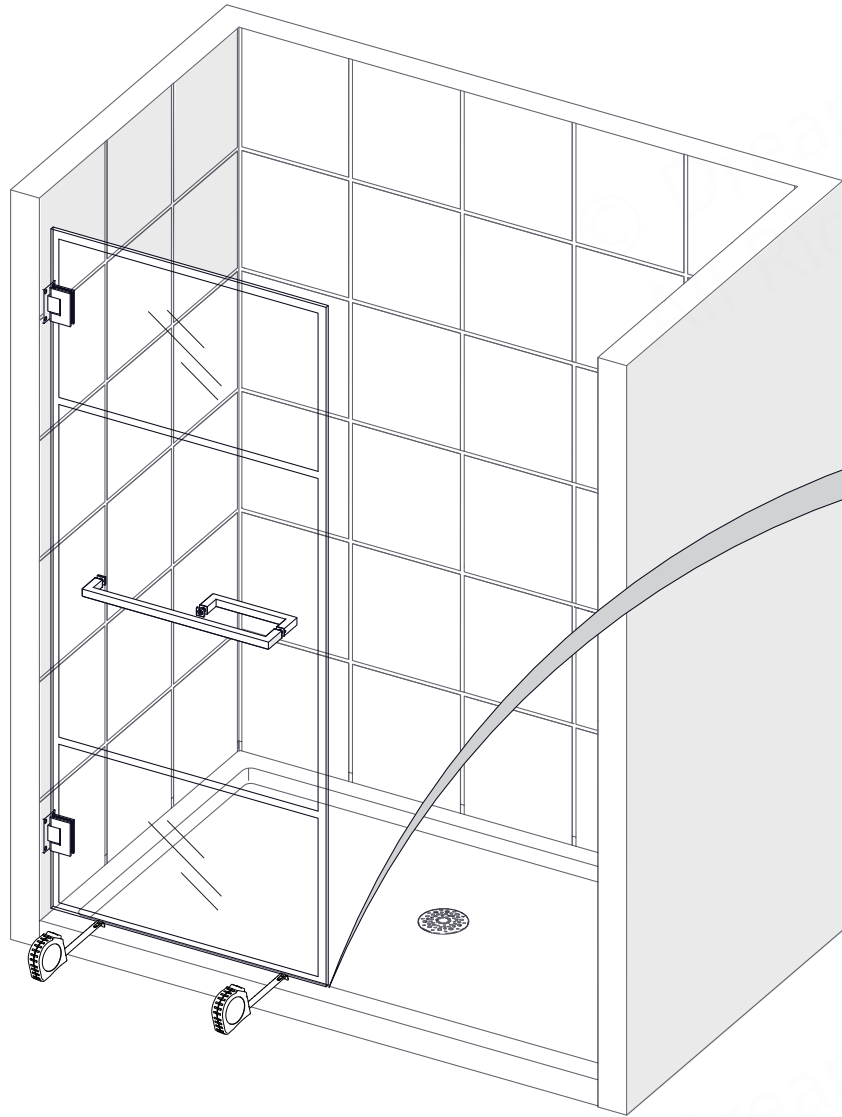


To prevent water leakage, adjust the **Hinge Assemblies (#05)** to overclose so the **Door Glass (#01)** creates a tight seal with the **180° Inline Strike Vinyl (#19)**.

Tools Needed



8

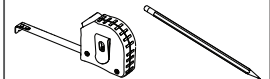


To assist with aligning the **Inline Panel Glass (#11)** with the installed Door Glass: hold the Door Glass parallel with the outside of the threshold (and at a 90° angle from the hinge-side wall) and mark a reference line on the threshold.

Fig 8

(left-swing door for right-hand inline panel installation shown)

Tools Needed



9

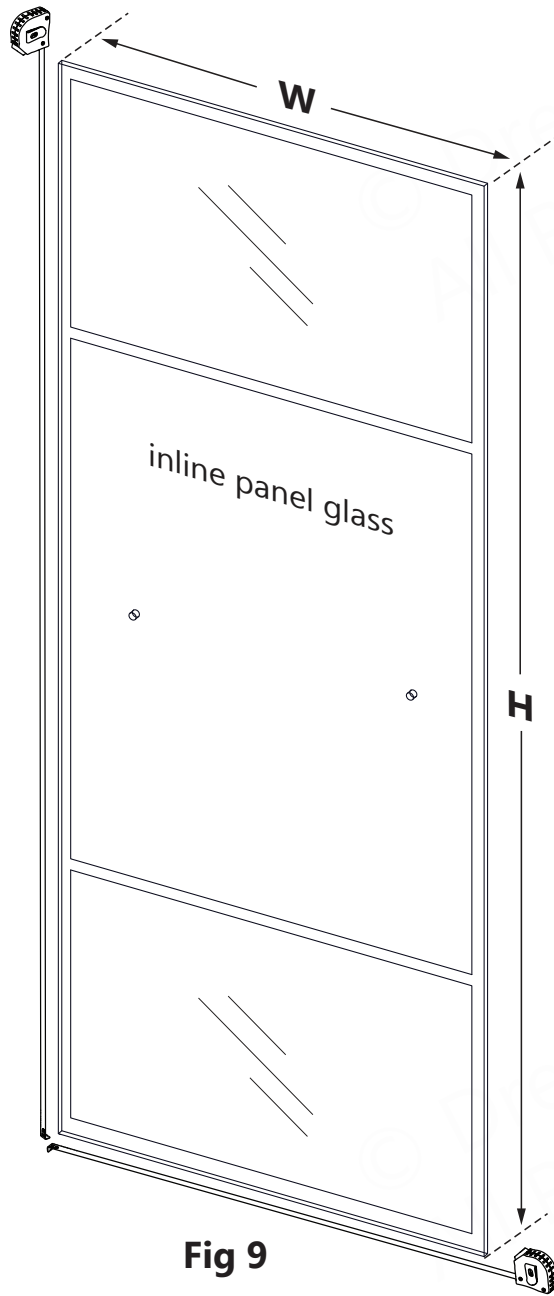
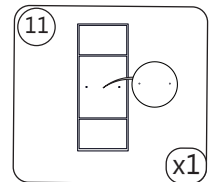


Fig 9

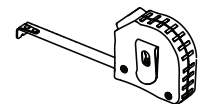
Glass Width (W)

Glass Height (H)

Parts Needed



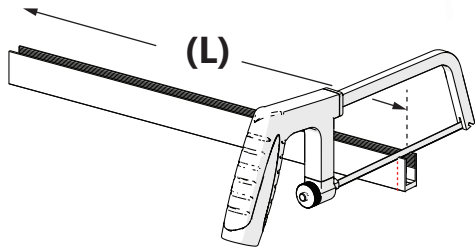
Tools Needed



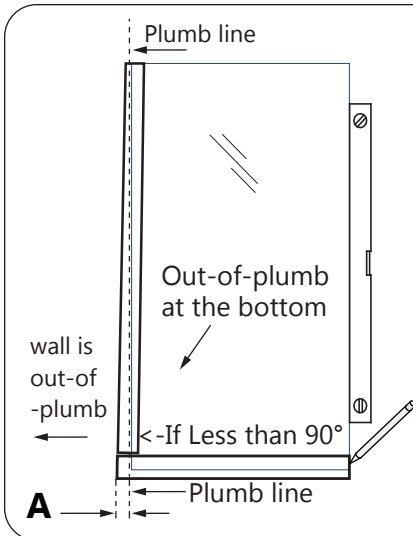
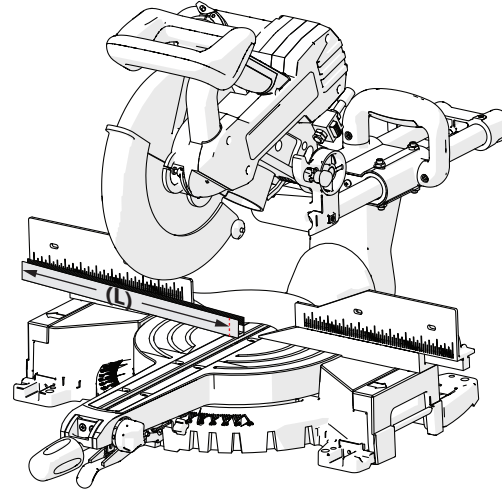
10

Cut the Bottom U-Channel to:
Glass Width (W) + 3/16" = (L)** (see exception below)

Fig 10

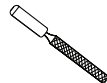


OR

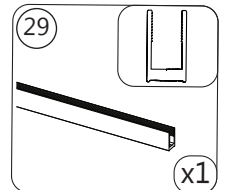


! **EXCEPTION:
If the wall is out-of-plumb at the bottom, measure that dimension as (A) and add (A) to the finished cut length of the U-channel (+1/2" max), then:
Glass Width + 3/16" + (A) = Finished cut length

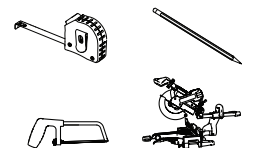


 Use a metal file to deburr the cut end

Parts Needed

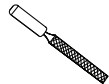
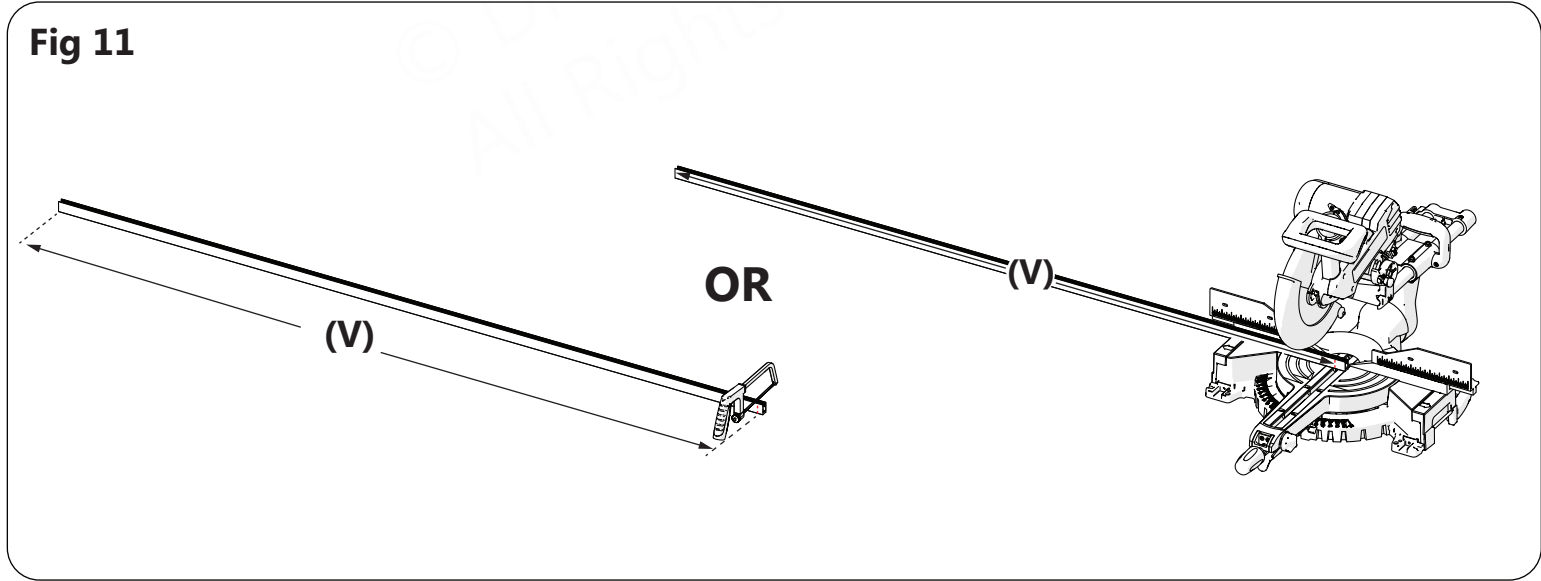


Tools Needed



11

**Cut the Vertical U-Channel to:
Glass Height H (-) 13/16" = V (see note below)**

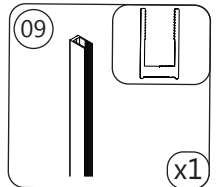


Use a metal file to deburr the cut end

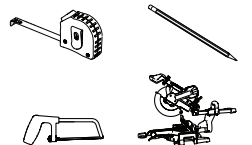


Cut the vertical U-channel to 71" for a standard 72" model height

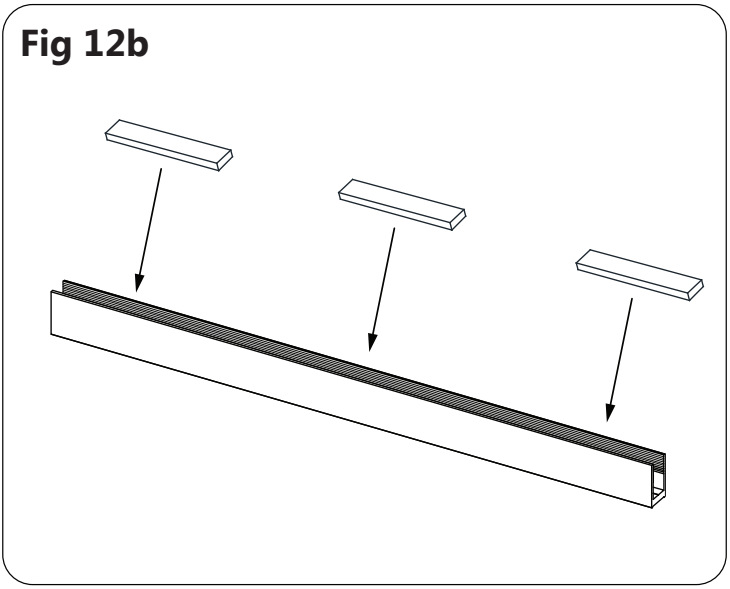
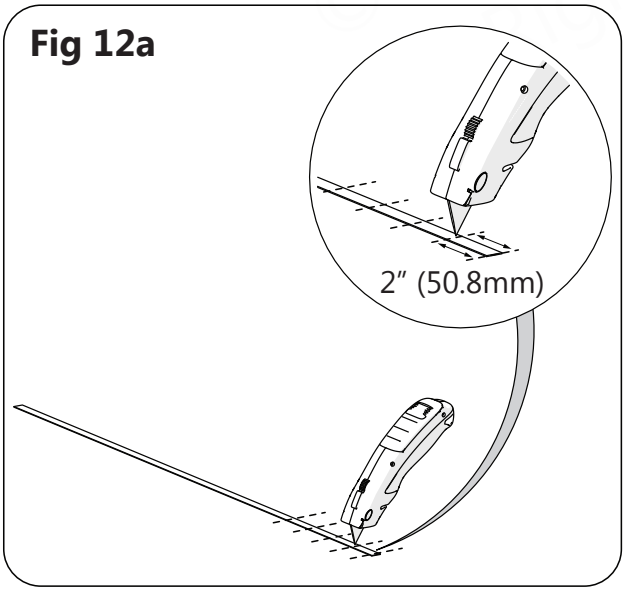
Parts Needed



Tools Needed

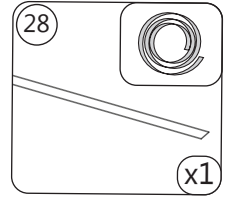


12



Cut several 2"- 3" pieces of the **PVC Glass Spacer 0.5mm (#28)**.
DO NOT install one long continuous piece into the **Bottom U-Channel (#29)**

Parts Needed



Tools Needed



13

(left swing door/right-hand inline panel installation shown)

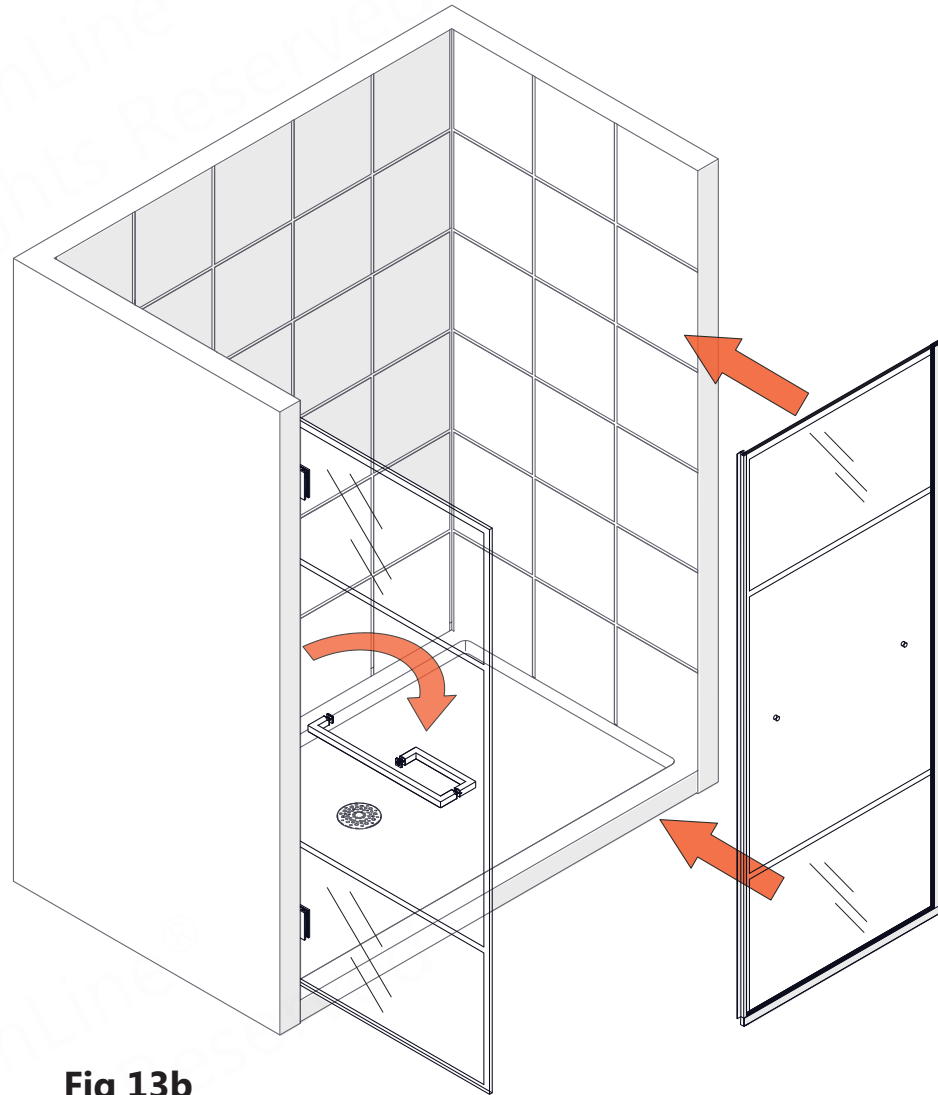
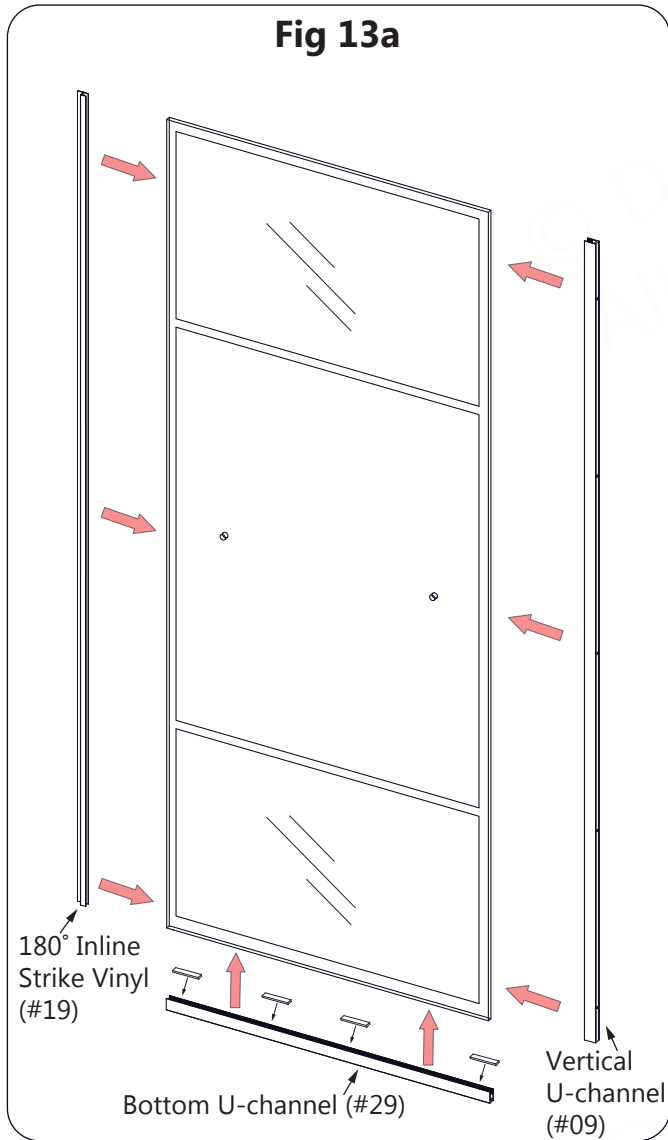
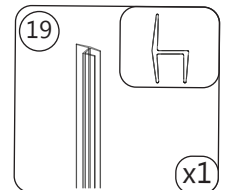


Fig 13b

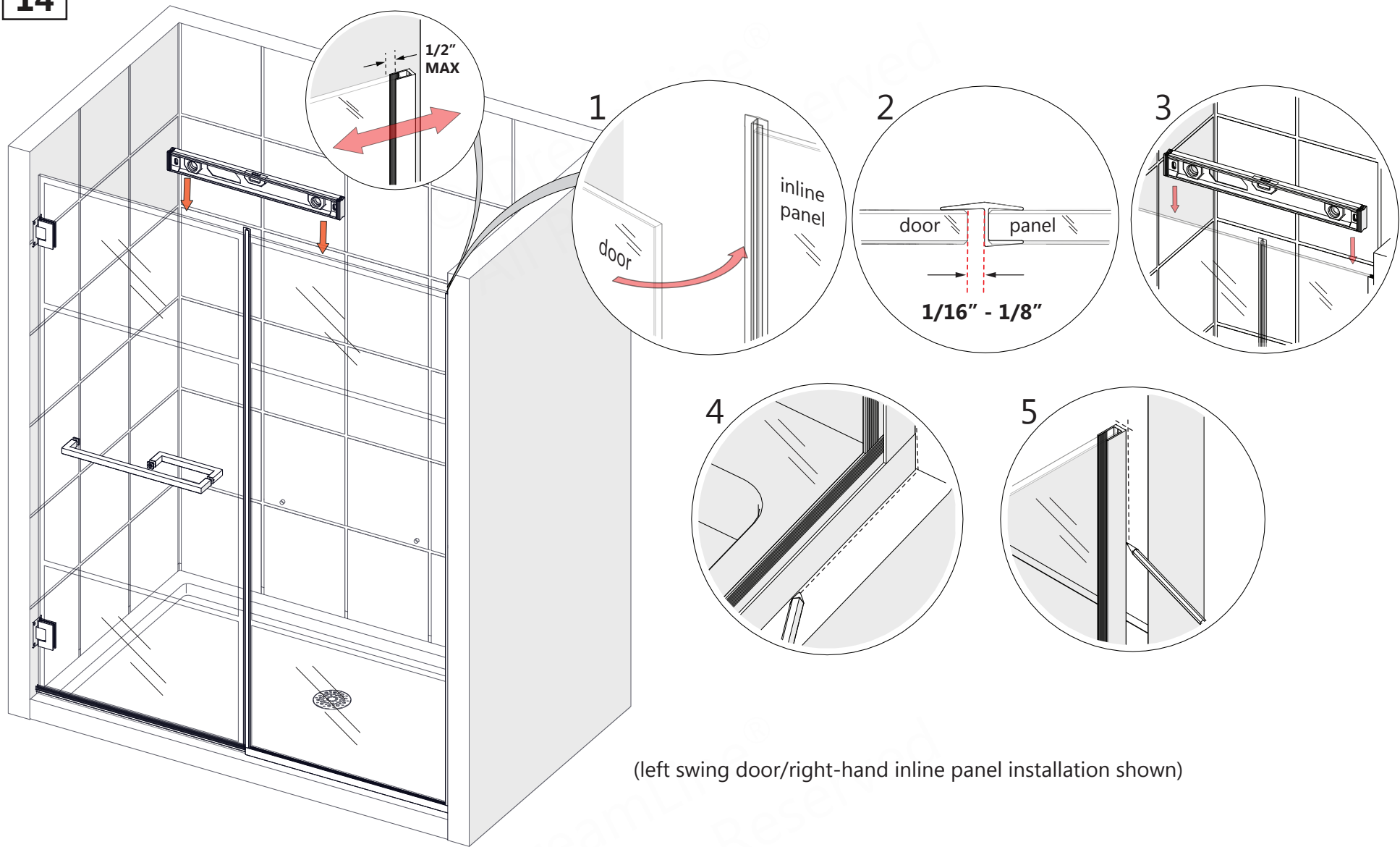


Attach the **180° Inline Strike Vinyl (#19)** to the edge of the panel glass to create the proper spacing with the door glass.
 Note that the strike vinyl will extend above the panel glass for now but will get notched in Step #22 to fit around the **Bottom U-channel (#29)** so that it will be flush with the top of the panel glass.

Parts Needed



14



(left swing door/right-hand inline panel installation shown)

Fig 14

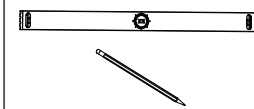
NOTE

The top of the Inline Panel Glass must be flush with the top of the Door Glass. (Fig 14.3)

NOTE

The **Vertical U-Channel (#09)** will allow for up to 1/2" of out-of-plumb adjustment. Use a level to confirm that the **Inline Panel Glass (#11)** is installed plumb and level.

Tools Needed



15

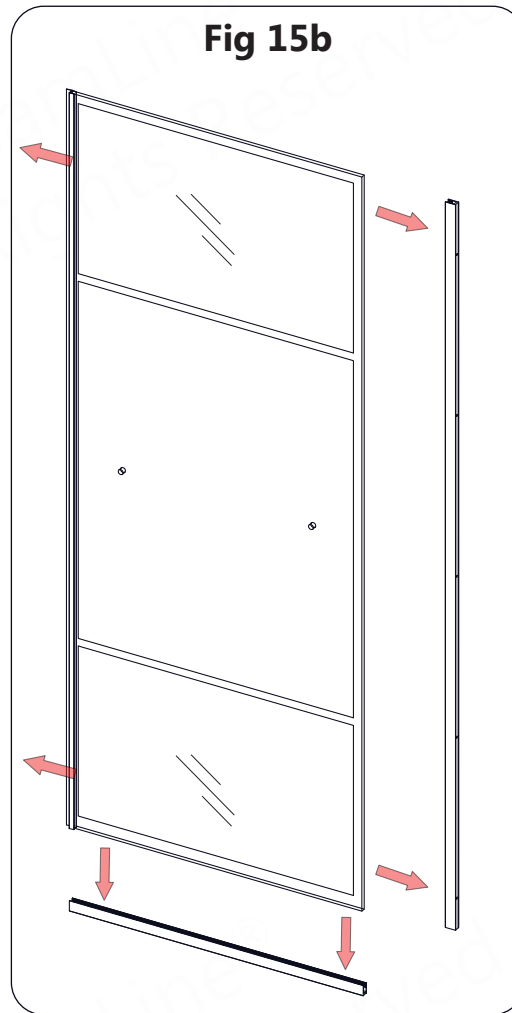
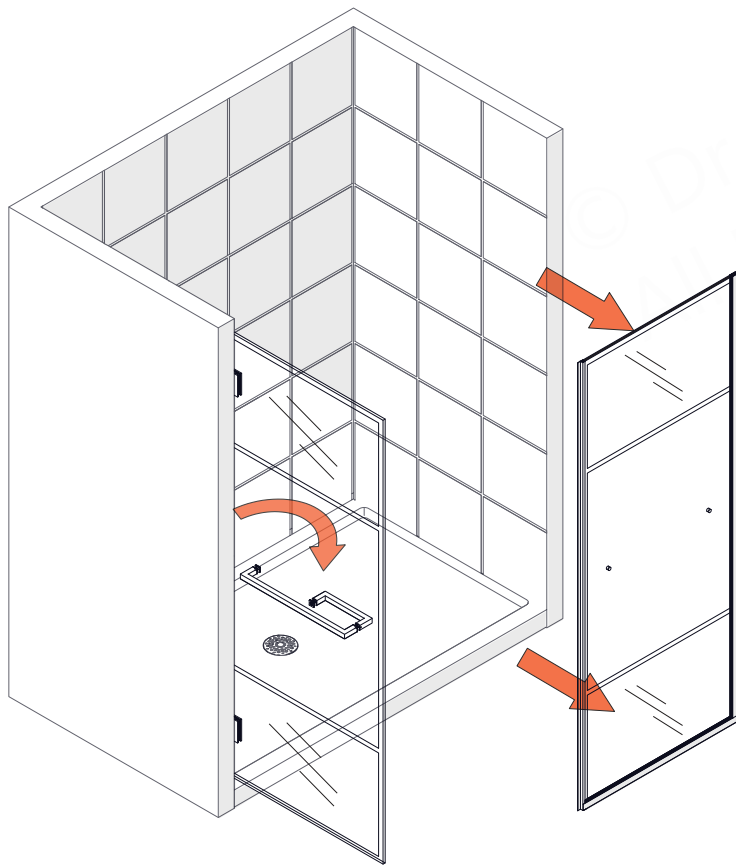
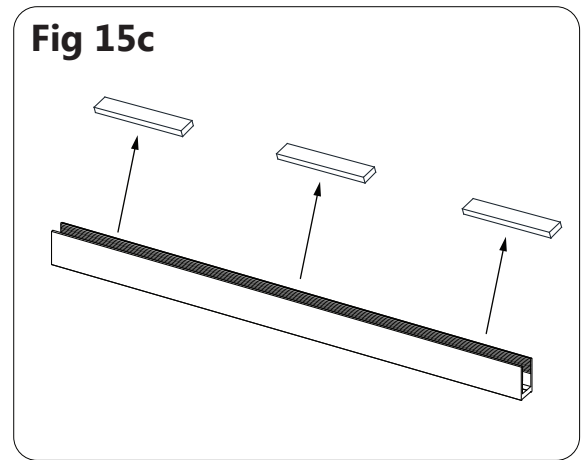


Fig 15a



NOTE

Remove the PVC Glass Spacers 0.5mm (#28) from the Bottom U-Channel (#29). (Fig 15c) These must be reinstalled in Step #19.

(left swing door,/right-hand inline panel installation shown)

16

NOTE

The surfaces need to be clean and free of debris before applying silicone.

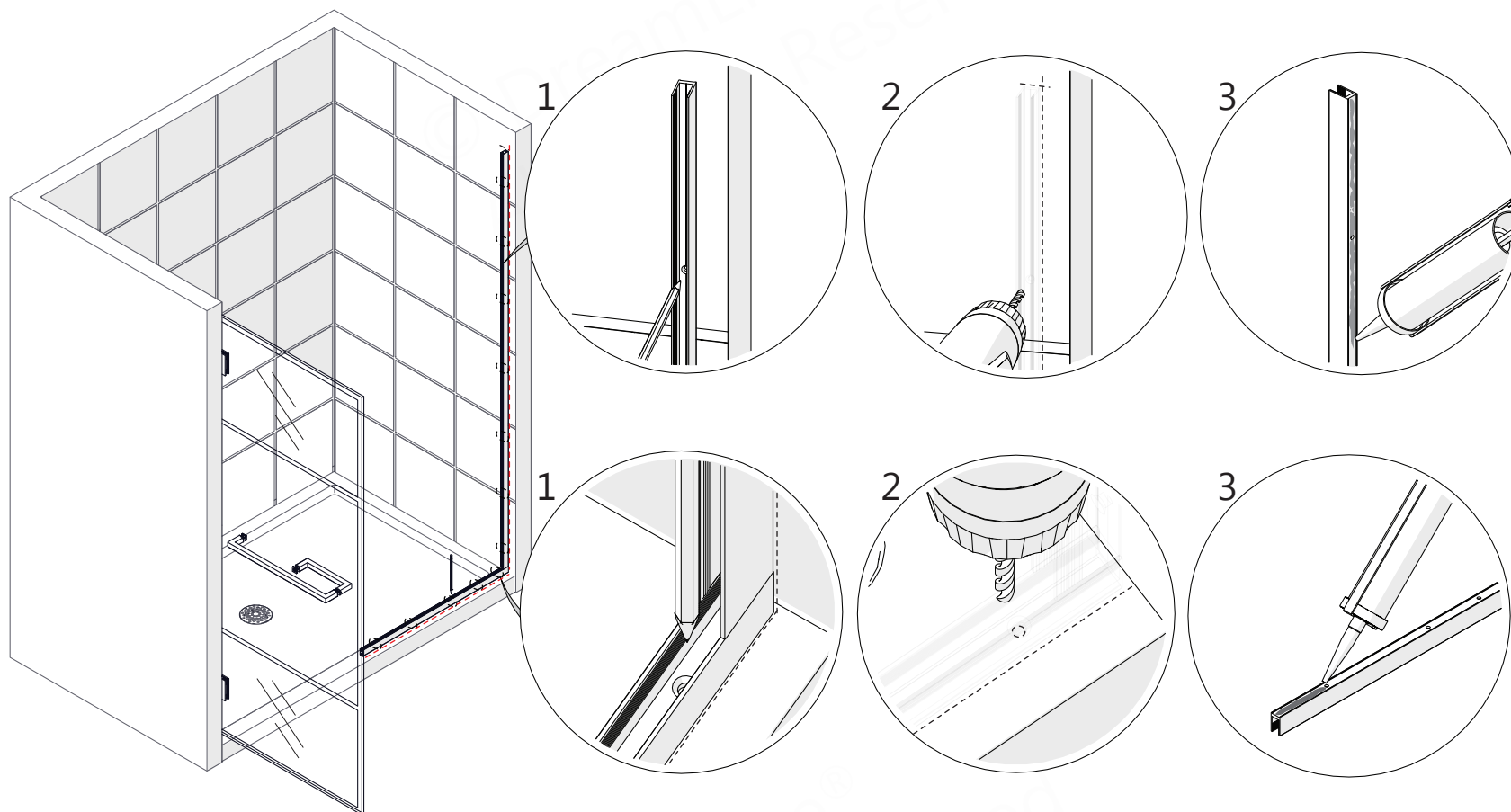


Fig 16

Holes for threshold

Holes for wall

NOTE

- For installation into an **Acrylic Threshold**:
drill an $\text{Ø}1/8''$ (3mm) hole and use the **ST4.2 x 40mm Countersunk Screw (#23)**

OR

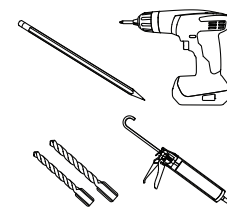
- For installation into a **Tile Threshold**:
drill a $\text{Ø}3/16''$ (4mm) hole up to the stud,
drill an $\text{Ø}1/8''$ (3mm) pilot hole into the stud
and use the **ST4.2 x 40mm Countersunk Screw (#23)**

- **If a stud is present behind the wall**:
drill a $\text{Ø}3/16''$ (4mm) hole up to the stud, then
drill an $\text{Ø}1/8''$ (3mm) pilot hole into the stud and use the
ST4.2 x 40mm Countersunk Screws (#23)

OR

- **If no stud is present behind the wall**:
drill a $\text{Ø}5/16''$ (7mm) hole and insert the **Wall Anchors (#13)**
and use the **ST4.2 x 40mm Countersunk Screws (#23)**.

Tools Needed



17

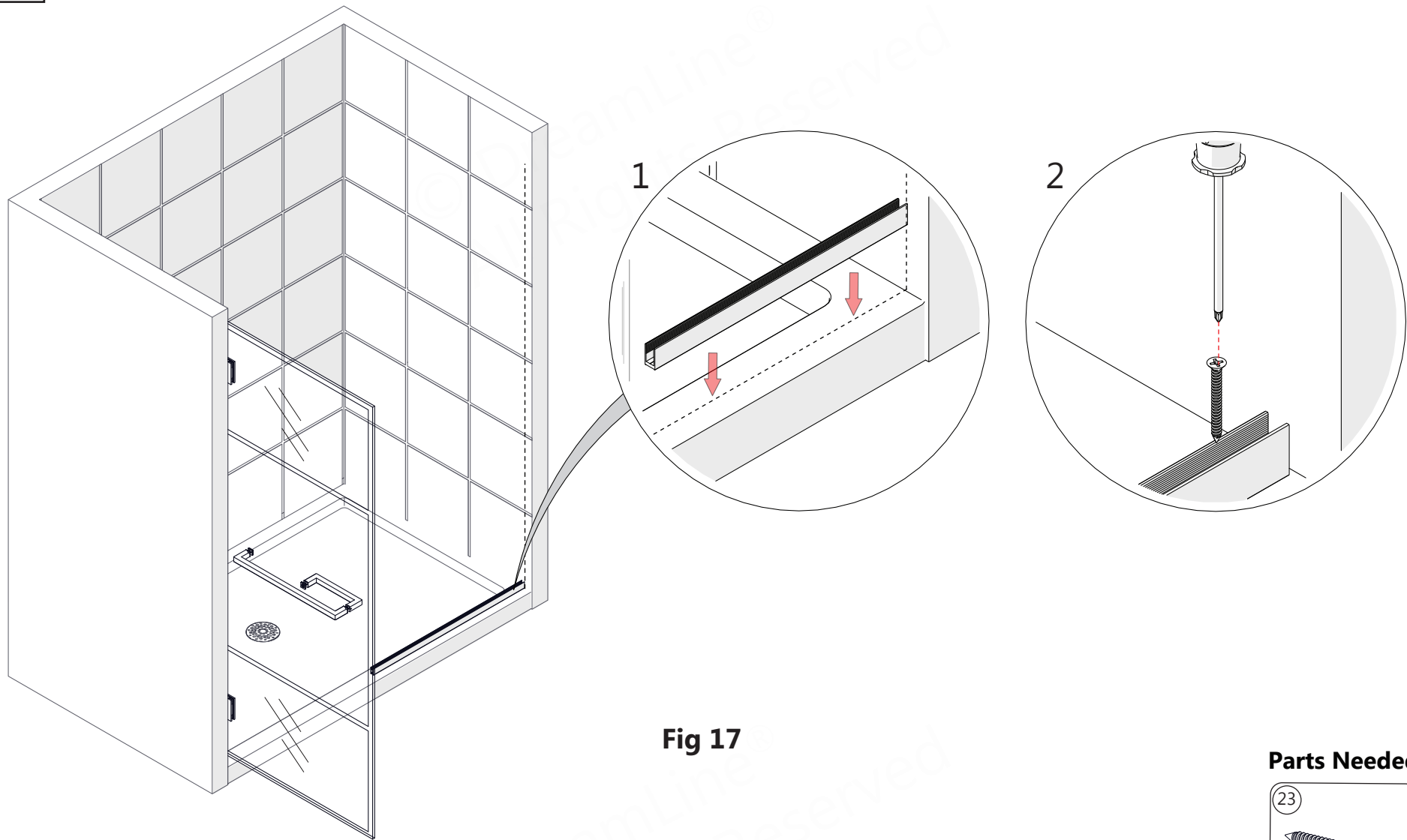
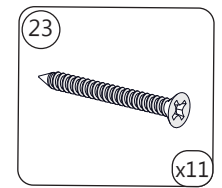


Fig 17

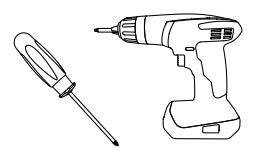
NOTE

To prevent damage to the glass, be sure that the screws are fully countersunk and that the screw heads do not stick up above the surface of the U-Channel.

Parts Needed



Tools Needed



(left swing door/right-hand inline panel installation shown)

18

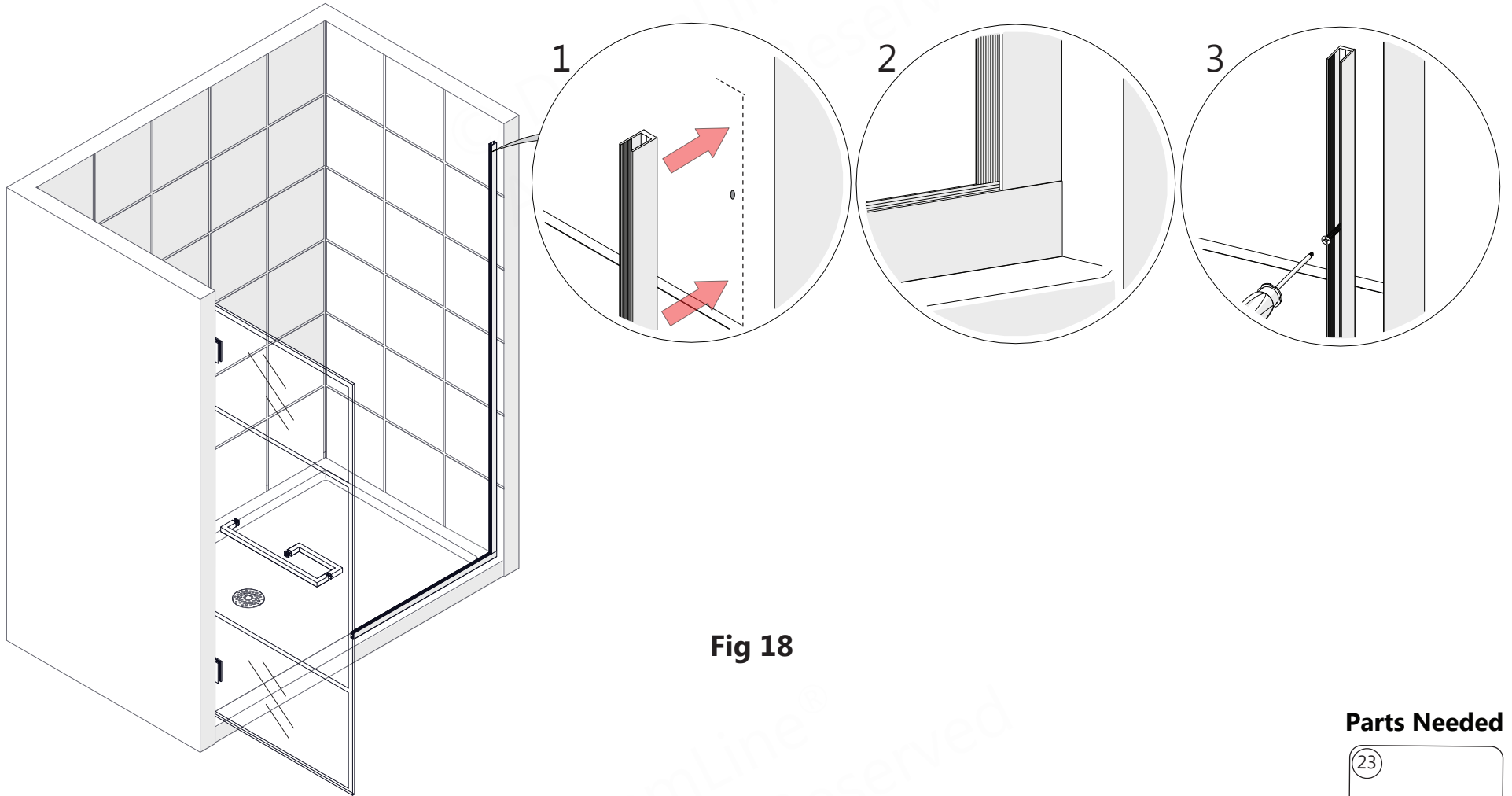
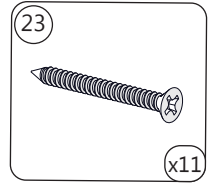
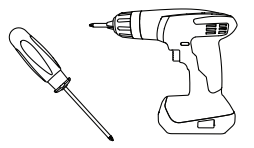


Fig 18

Parts Needed



Tools Needed



(left swing door/right-hand inline panel installation shown)

19

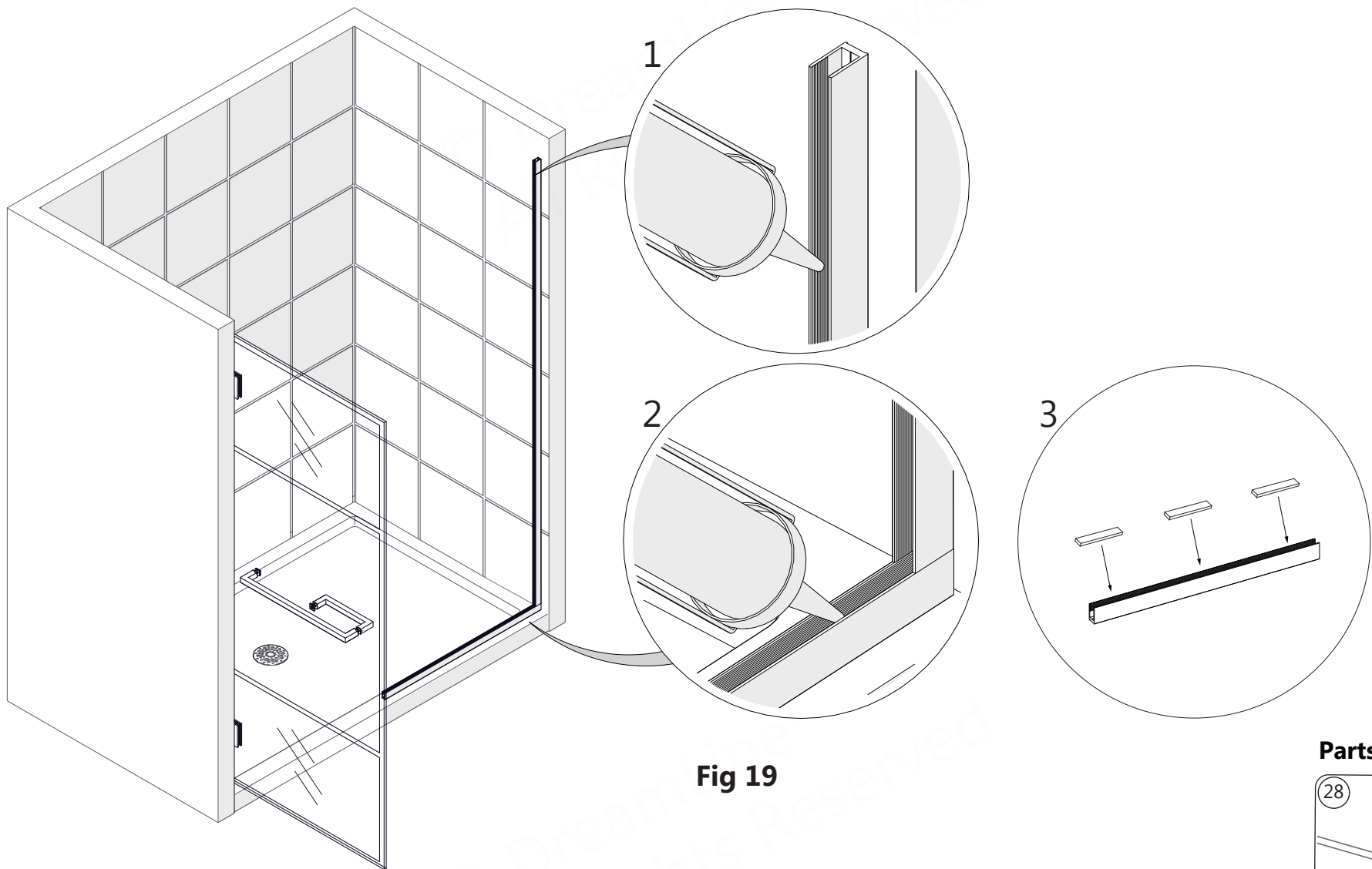
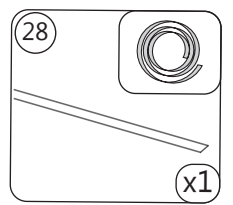


Fig 19

NOTE

After applying silicone into the bottom U-Channel, install several 2" - 3" (51mm - 76mm) pieces of the PVC Glass Spacer 0.5mm (#28) into the Bottom U-Channel (#29) to protect the bottom edge of the glass. (Fig 19.3)

Parts Needed



Tools Needed



(left swing door/right-hand inline panel installation shown)

20

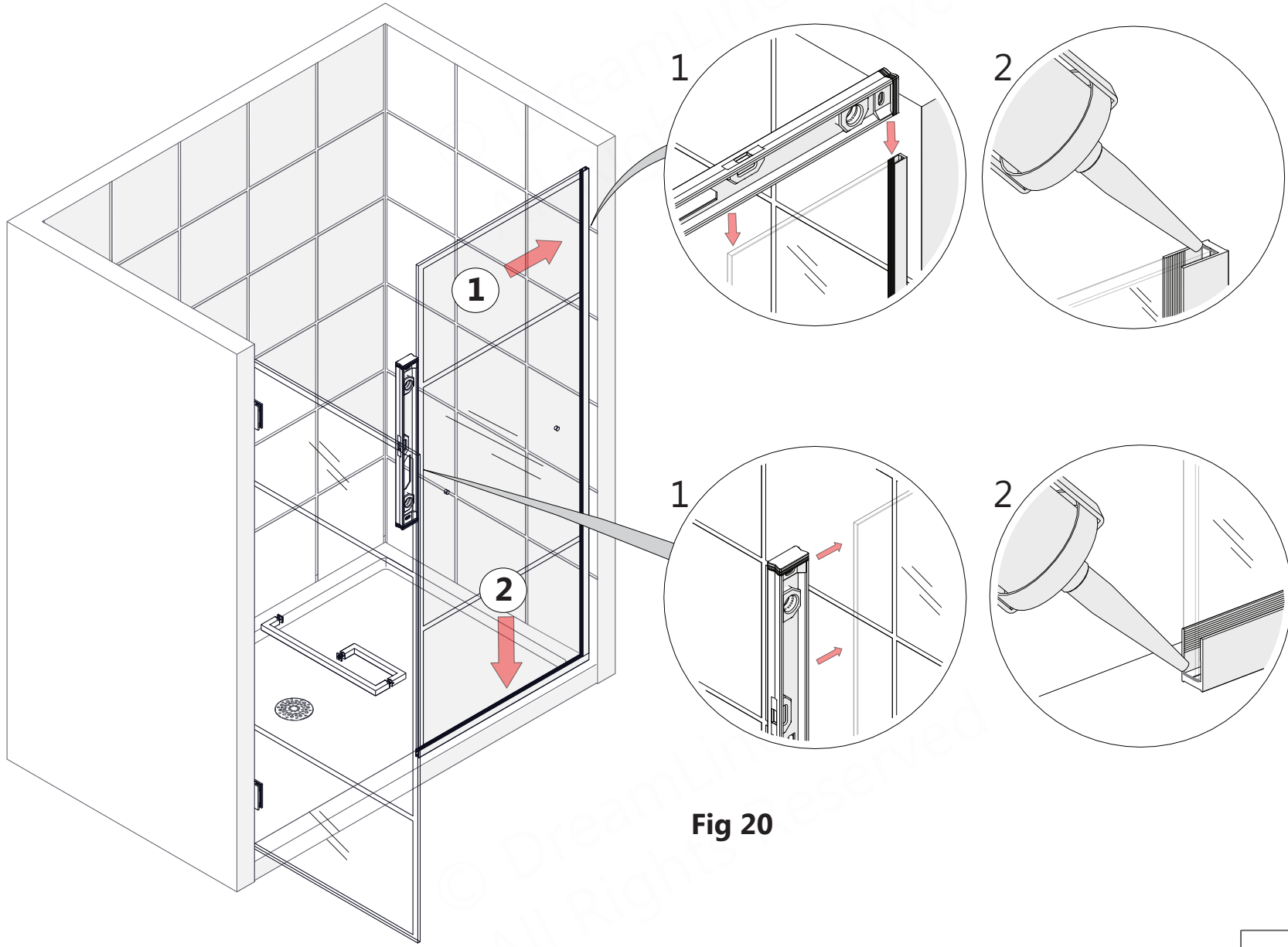


Fig 20

Tools Needed

(left swing door/right-hand inline panel installation shown)

21

Towel Bar Installation

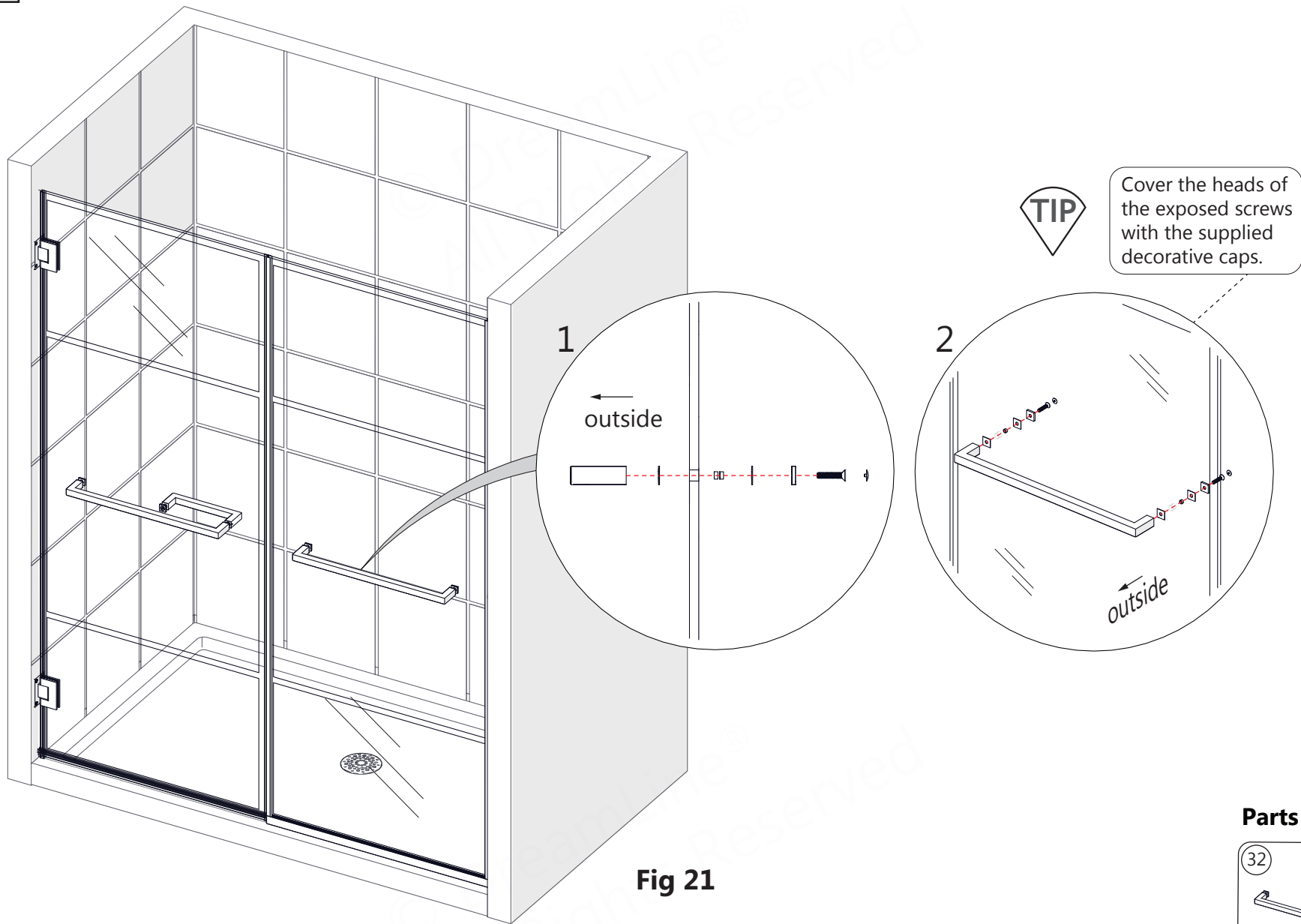
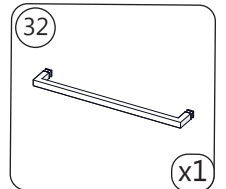


Fig 21



To prevent glass-to-metal contact, be sure the vinyl gaskets and PVC screw sleeves are present between the **Towel Bar Assembly (#32)** and the **Door Glass (#01)**.

Parts Needed



Tools Needed



(left swing door/right-hand inline panel installation shown)

22

180° Strike Vinyl Installation

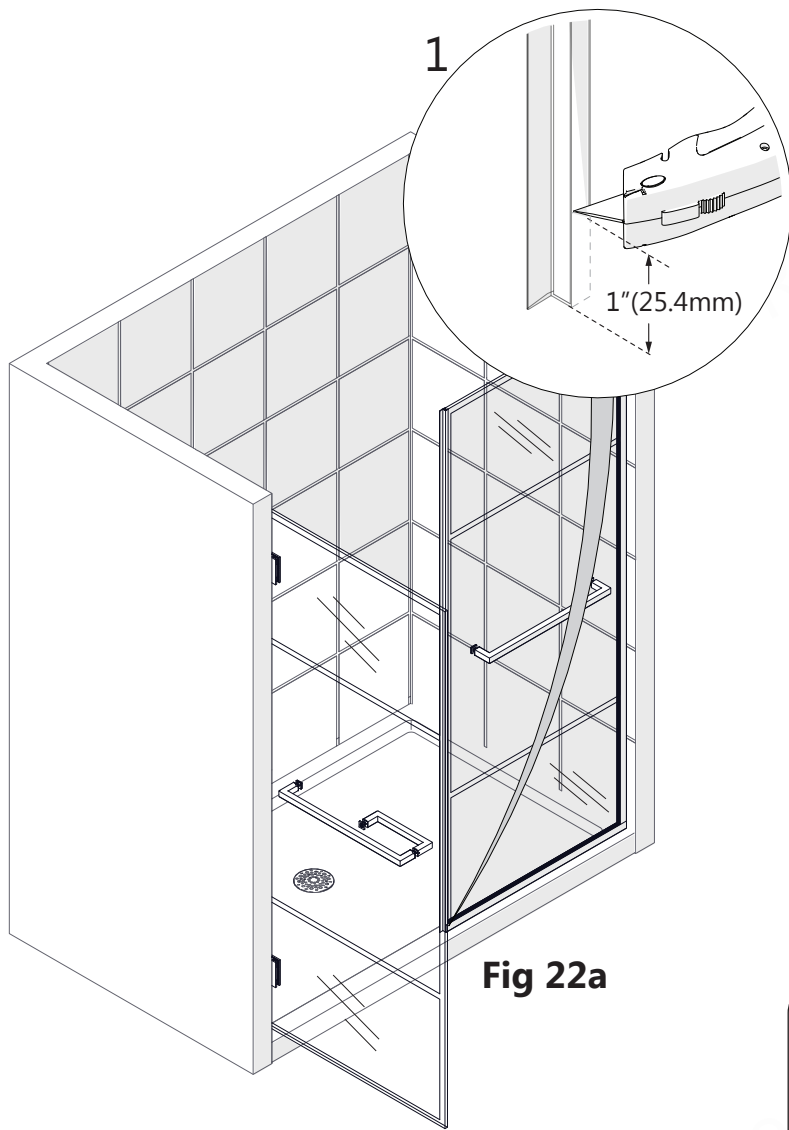
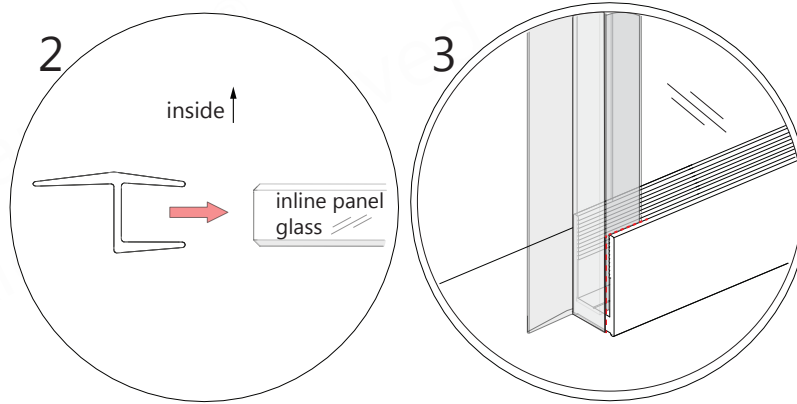


Fig 22a



Notch the inner side of the **Bottom Sweep Vinyl (#07)** so the Door Glass creates a tight seal with the **180° Inline Strike Vinyl (#19)** when closed.

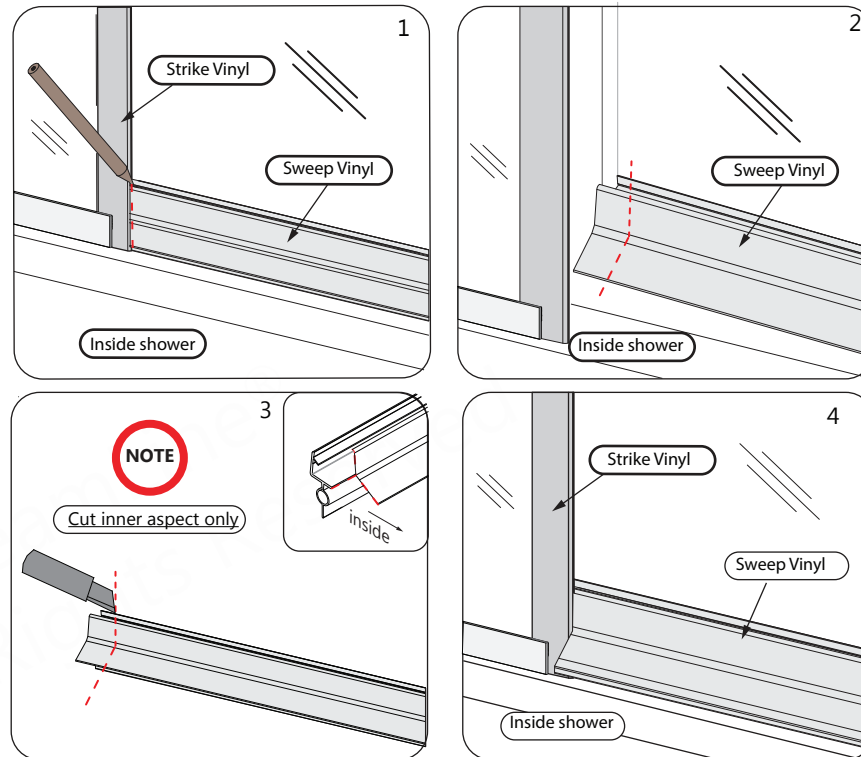
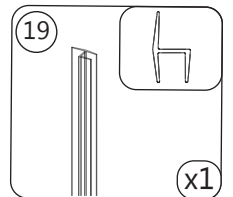


Fig 22b

Parts Needed



Tools Needed



(left swing door/right-hand inline panel installation shown)

23



The surfaces need to be clean and free of debris before applying silicone.

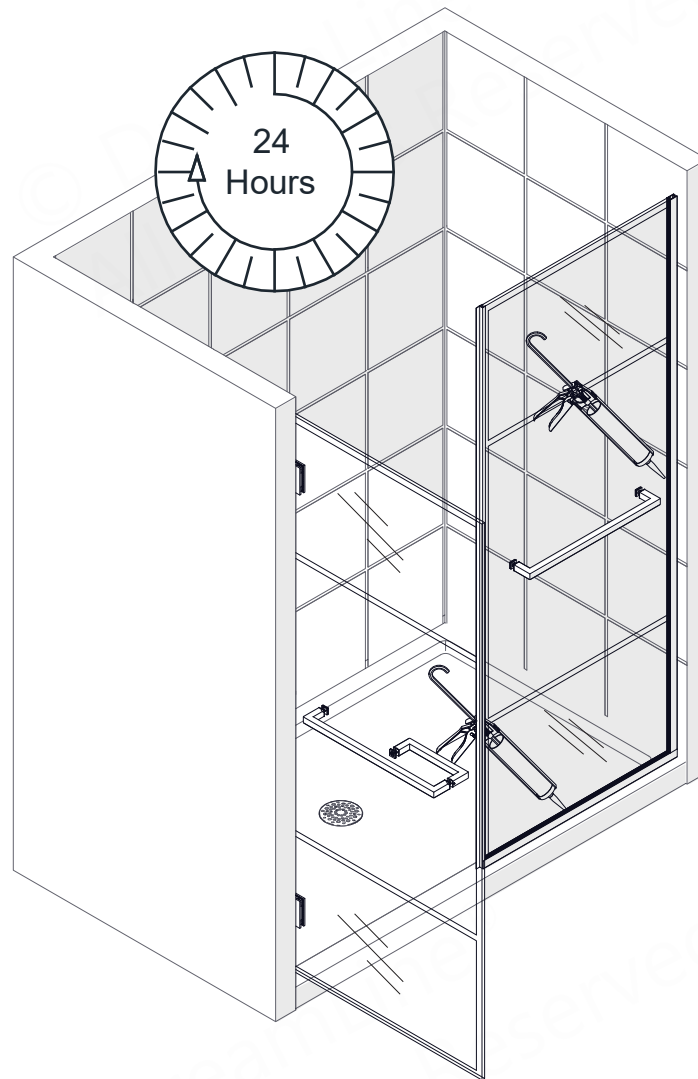


Fig 23



Allow 24 hours for the silicone to cure before using shower.



(left swing door/right-hand inline panel installation shown)

Product Maintenance

BASES and BACKWALLS: To ensure long lasting life for your acrylic back walls: wipe them off after each use with a soft cloth. To clean the acrylic back walls use non-abrasive sprays or cream based cleaners. Avoid the use of aerosol spray cleaners. Never use abrasive cleansers, metal brushes or scrapers that could permanently scratch or dull the surface.

GLASS: To ensure long lasting life for your glass shower products: wipe them off after each use with a soft cloth. Rinse and wipe off the glass using either a soft cloth or a squeegee to prevent soap buildup and water spots (Hard water can etch the surface of the glass over time if left to dry). To prevent scratching the surface: never use abrasive cleaners or cleaning products that contain scouring agents. Never use bristle brushes or abrasive sponges that may scratch the surface of the glass.

HARDWARE: To ensure a long lasting finish: wipe off all metal parts after each use with a soft cloth. Do not use abrasive cleaners or cleaning products containing ammonia, bleach or acid. If accidentally used, rinse the surface as soon as possible to prevent damage to the finish (peeling or corrosion). After cleaning the polished finishes, rinse thoroughly and wipe dry with a soft clean-cloth.

Clean stainless steel surfaces at least once a week. When applying stainless steel cleaner or polish to stainless steel hardware, work with the grain (not across the grain). Never use an abrasive sponge or cloth, steel wool or wired brush as these may permanently scratch the surfaces.



To maximize the life of your door, it is important to regularly inspect the glass and other hardware for misalignment, proper attachment, and/or damage. Contact DreamLine® with any questions or concerns.

UNIDOOR MADRID Maintenance Checklist

- Check that the unit is stable, operates smoothly and that the installation is secure
- Confirm that all screws are tight
- Confirm that all vinyl seals are intact (replace if missing or damaged to prevent water leakage)
- Inspect exposed and concealed glass edges for damage
 - Damaged Glass Must be Replaced**
- Inspect silicone for gaps. Remove and replace silicone as necessary to prevent water leakage.

Troubleshooting

Problem/Symptom	Suggested Solution
Missing Parts	<ul style="list-style-type: none"> •Check all shipping/packaging material for missing parts/components. •If not found, contact DreamLine Customer Support [1-866-731-2244] to order factory part replacement.
<p>Door Glass (#01) feels loose in the hinges; the hinges are pulling out of the wall; Door glass is not level across the top; sweep vinyl drags; no clearance between the door glass and the strike vinyl</p>	<ul style="list-style-type: none"> •Remove the vinyl seals (including the sweep vinyl) from the Door Glass (#01) and place two 5/8" shims under the door glass. Remove the backplates of the Hinge Assemblies (#05). Remove the door glass and set on a protective surface. Remove and clean the clear Hinge Assembly gaskets and the glass around the hinge cutouts. Reset door glass onto the 5/8" shims. Reinstall backplates and fully tighten the hinge bolts by hand. It is normal to hear the gaskets compress onto the glass. (Page 14) Reinstall all vinyl seals. •Confirm the hinge screws were installed into wood reinforcement in the wall during installation; if not, complete removal and reinstallation may be necessary. (Page 3)
<p>Door Glass (#01) does not create a tight seal with the strike vinyl while in the closed position</p>	<ul style="list-style-type: none"> •Use a level to confirm the Door Glass (#01) is plumb; Confirm the 180° Inline Strike Vinyl (#19) is installed in the correct location so the door glass creates a tight seal with the vinyl when in the closed position. Be sure the Bottom Sweep Vinyl Seal (#07) is correctly notched to fit around the 180° Inline Strike Vinyl (#19) [Page 35] •The Door Glass (#01) may need adjustment to reset the Hinge Assemblies (#05) for overclose to achieve a seal, refer to the Hinge Assembly Adjustment Procedure [Page 20]
<p>Water Leakage: Hinge side</p>	<ul style="list-style-type: none"> •Confirm the vinyls are notched as instructed and tightly secured to the Door Glass (#01). [Pages 18, 19] •Direct the water flow away from the area
<p>Water Leakage: Bottom Sweep Vinyl Seal (#07)</p>	<ul style="list-style-type: none"> •Confirm the vinyl is tightly secured to the bottom of the Door Glass (#01). Also, confirm the distance between the bottom of the Door Glass and threshold is 5/8" (16mm). Confirm the Bottom Sweep Vinyl Seal (#07) is correctly notched around the L-Strike Vinyl (#08) •Direct the water flow away from the area
<p>Handle (#02) feels loose</p>	<ul style="list-style-type: none"> •Confirm the required vinyl gaskets are present and the handles are tightly secured to the glass. For a back-to-back style handle, hand tighten the set screws with an allen key [Pages 15, 16, 34]



Prior to contacting DreamLine® Customer Service, please have the following information readily available:

- Purchase Order Information
 - Name, PO Number, Dealer/Vendor Name, etc.
- SKU/Model Number (see Page 39)
- Factory Part Information (see Page 39)

Factory Parts Information

UNIDOOR MADRID {D245872MB01-09}		FACTORY PARTS INFORMATION	
ITEM #	FACTORY PART NUMBER	ITEM DESCRIPTION	QTY
01	010137157	Door Glass	1 pc
02	0722 9 092	Handle and Towel Bar Combination Assembly	1 pc
04	092131	ST5.5x70mm Countersunk Screw	11 pcs
05	0741 9 031	Madrid 90 Degree Glass-to-Wall Hinge Assembly for 10mm (3/8 in) Glass	2 pcs
06	063011102-1829	Hinge Side Vinyl Seal for 10mm (3/8in) Glass (satin black)	1 pc
07	063015102-0735	Bottom Sweep Vinyl for 10mm (3/8in) Glass (satin black)	1 pc
08*	063009000-1829	L-Strike Vinyl w/VHB Tape*	1 pc
09	041540 9 1-1854	U-Channel 1" Aluminum for 10mm (3/8in) Glass	1 pc
11	010137158	Inline Panel Glass	1 pc
13	07552148	Wall Anchor 8mm (5/16in)	11 pcs
19	063010102-1829	180 Degree Inline Strike Vinyl for 10mm (3/8in) Glass (satin black)	1 pc
23	092108	ST4.2 x 40mm Countersunk Screw	11 pcs
28	07550083	PVC Glass Spacer 0.5mm	1 pc
29	041540 9 1-0762	U-Channel 1" Aluminum for 10mm (3/8in) Glass	1 pc
31a	07550079	PVC Hinge Spacer 1mm	4 pcs
31b	07550080	PVC Hinge Spacer 2mm	2 pcs
31b	07550081	PVC Hinge Spacer 3mm	2 pcs
32	0722 9 092-TB	Towel Bar Assembly	1 pc
33a	098003	Allen Wrench 3mm	1 pc
33b	098004	Allen Wrench 4mm	1 pc

BOLD digit indicates finish:
2 or **9**= Satin Black

*L-Strike vinyl only used for single door installation

Contact Support@DreamLine.com for Part replacement, installation assistance or additional information.
 Complete **Warranty** information is available on DreamLine.com.

NOTES:

© DreamLine®
All Rights Reserved

© DreamLine®
All Rights Reserved

NOTES:

© DreamLine®
All Rights Reserved

© DreamLine®
All Rights Reserved



TEL: 866-731-2244
FAX: 866-857-3638
DREAMLINE.COM



For more information on DreamLine® Shower Doors and Enclosures please visit **DreamLine.com**