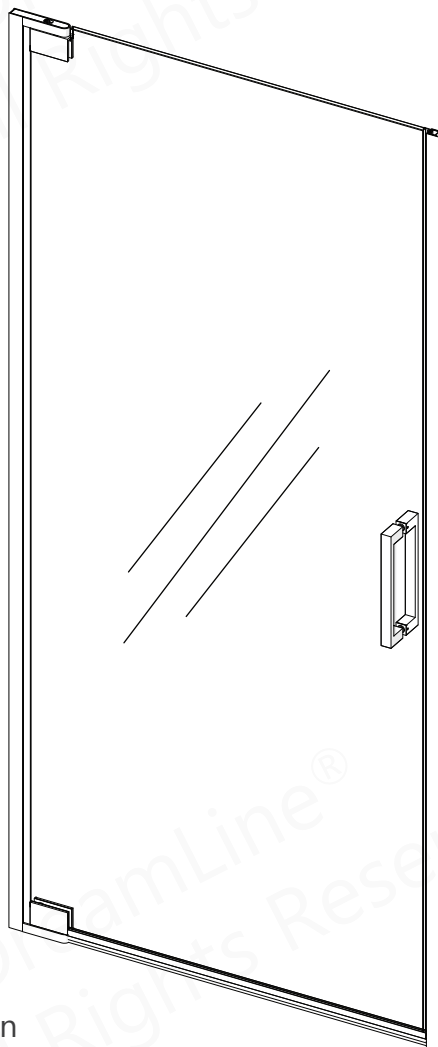




# ELEGANCE PLUS SINGLE DOOR SHOWER DOOR INSTALLATION INSTRUCTIONS

PLEASE REVIEW THIS ENTIRE MANUAL PRIOR TO INSTALLATION



\*left-swing door installation shown

## Model #s

SHDR-443400-##  
SHDR-443060-##  
SHDR-443465-##  
SHDR-444014-##  
SHDR-444622-##  
SHDR-4452225-##  
SHDR-4458305-##

## = finish

01 - Chrome

04 - Brushed Nickel

06 - Oil Rubbed Bronze

09 - Satin Black

## IMPORTANT!

DreamLine® reserves the right to alter, modify or redesign products at any time without prior notice for the purpose of product improvement and customer experience. Please refer to the model's web page on **DreamLine.com** for the latest technical drawings, installation manuals, warranty information or additional product details.

**Do Not Return Product to the Store. Contact DreamLine® with any questions**



## Questions?

Please Call **DreamLine Customer Support: 1-866-731-2244**  
Hours of Operation M-F 8AM - 6PM EST

**Support@DreamLine.com**





**This model is treated with DreamLine’s exclusive ClearMax™ Glass technology. This is a specially formulated coating that prevents the build up of soap and water spots.**

**Install the surface with the ClearMax™ label towards the inside of the shower. Please note that depending on the model, the glass may be coated on either one or both surfaces.**

**For best results, squeegee the glass after each use and dry with a soft cloth.**

Record the following purchase information for your records or in the event you need to contact DreamLine®:

Purchase Order Number \_\_\_\_\_

Store/Vendor Purchased From \_\_\_\_\_

Installation Date \_\_\_\_\_

OD Number (optional) \_\_\_\_\_  
\*found on the shipping box or label if available.

Installed By: \_\_\_\_\_

SKU Number \_\_\_\_\_

# Table of Contents

Section Title	Page #
ClearMax™ Coating Information	—
Warnings and General Preparation	2
Model Specific Preparation	3
Tools	4
Configurations	5
Adjustable Wall Profile System	6
Detailed Diagram of Shower Door Components	7
Parts List	8-9
Installation Steps	10-25
Strike Profile Installation	19
Decorative Cover Installation	23
Bottom Sweep Vinyl Installation	24
Securing the Bottom Pivot Assembly to the Threshold (optional)	26
Product Maintenance	27
Troubleshooting	28
Factory Parts Information	29-35

## Symbol Legend



**TIP** - for ease of installation.



**CORRECT** - recommended.



**NOTE** - take note of special feature; additional information.

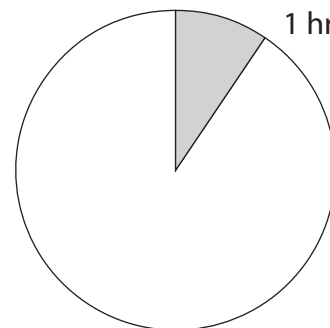


**INCORRECT** - not recommended.



**REQUIRED** - requires special attention; signifies a warning.

Average Installation Time





**IMPORTANT**

- DreamLine® reserves the right to alter, modify or redesign products any time without prior notice for product improvement and customer experience. Please refer to the model's web page on [DreamLine.com](http://DreamLine.com) for the latest technical drawings, installation manuals, warranty information or additional product details.
- This product should be installed by someone familiar with the construction requirements for this type of project and the care necessary for the safe installation and operation of the product.
- The safety of any installation is the responsibility of the installer.
- Professional installation recommended. *(All Models)*
- Professional installation required. *(Enigma Series)*
- To prevent damage or serious injury, Do Not lean against the installed panel/door/glass.
- To prevent damage or serious injury: Do Not attempt to lift or move a heavy lite of glass alone. Use an assistant and/or a professional grade glass suction cup.
- The installation of some models may require drilling down into the threshold. Contact the manufacturer of the base, tub, or threshold material with any questions regarding the drilling of holes into their product.
- All drawings in this installation manual are for illustrative purposes only and are not drawn to scale.

**TEMPERED GLASS WARNING**

- Your Shower Door Glass Could Shatter Without Warning if Improperly Installed or Mishandled
- Do Not install or operate a shower door if the glass has chipped corners, slivered edges or is otherwise damaged and/or has been dropped or banged into a hard surface such as tile, marble or glass.
- **The main causes of tempered glass breakage are:**
  - Improper handling, storage or installation
  - Misuse/abuse
  - Lack of maintenance
  - Failure to replace damaged glass
  - **Improper handling during storage, unpacking and installation:**
  - Corners and edges are the most susceptible area to damage on a lite of tempered glass and should be protected and handled with care during storage, unpacking, installation and operation. A concentrated point of pressure or impact with a surface harder than itself may cause the tempered glass to shatter. The tempered glass may release immediately, within several hours or even days later.
  - **Incorrect installation of door hardware, rollers, hinges, channels, stopper or glass:**
  - Improper installation may include: loose hardware and/or lack of proper gaskets between the hardware and glass. Additionally, improper alignment of guide rails, wall profiles or other hardware during installation or operation may place stress on the glass edges and cause it to break.
  - This product must be installed by a professional and experienced installer familiar with the safe handling of tempered glass.
  - **Improper use of this product:**
    - Aggressively opening or closing the door may cause trauma to the glass, which can lead to breakage. This may occur immediately or hours or even days later.
    - **The shower door hardware and glass should be inspected periodically:**
      - Instruct the homeowner how to perform a periodic inspection of the shower hardware and glass - some minor adjustments may be necessary based upon the use (or misuse) of the shower door. Ensure that the hardware remains tight and that the door alignment and operation are correct. Any adjustments should be made upon discovery to prevent damage to the product.
      - Additional considerations should be given to the installation of frameless tempered glass products in households with young children or an elderly person due to an increased chance of improper handling. In such cases, alternatives such as shower curtains or grab bars should be considered.

**GENERAL PREPARATION**

- After opening all boxes and packages, read this introduction carefully. Check that all the items are included in the package by marking off the components on the “**Detailed Diagram of Product Components**” page. Examine all boxes and packages for shipping damage. If the unit has been damaged, has a finishing defect, or is missing parts; please contact our Customer Support department within 3 business days of the delivery date. **Please note that DreamLine® will not replace any damaged products or missing parts free of charge after 3 business days or if the product has been installed.** Please contact DreamLine® if you have any questions.
- **Please note that you should refer to your local building codes with questions on installation compliance standards. Building and plumbing codes may vary by location, and DreamLine® is not responsible for code compliance standards for your project and will not accept any returns.**
- If this unit is going to be installed in a new construction, install all the required plumbing and drainage before installing the shower. **Use a competent and licensed (if required by local code) plumber for all plumbing installation.**
- Make sure that prior to beginning the installation, the surfaces are leveled and solid and will be able to support the total weight of the unit. Also make sure the walls are at right angles. Irregular installation surface level, radius corners or improper angle of side walls will result in serious problems for your installation. Please note that some adjustments and drilling will be necessary during the installation process.
- Protect all primary surfaces of the product during installation. Never set your glass down directly onto a tile floor. Leave corner protectors in place until it is necessary to remove them. Always use a piece of wood or cardboard to protect the bottom edge and corners of the glass prior to and during installation.
- This unit must be installed upon a finished threshold and against finished walls.
- *DreamLine® shower doors are not designed to be installed into a fiberglass surround due to the radius corners and lack of a solid surface to mount the hardware.*

**WARNING: TO AVOID THE RISK OF DAMAGE OR INJURY:**

- **Follow all recommendations and requirements as shown in the installation instructions.**
- Perform a thorough inspection of the glass and all parts for any damage prior to installation. Any damage to tempered glass can cause breakage. **Do Not install damaged glass!**
- Do Not install or operate a shower or tub door if the glass has chipped corners, slivered edges or is otherwise damaged. Do Not install or operate a shower or tub door that has been dropped or banged into a hard surface such as tile, marble or glass.
- **CAUTION:** Contact with any hard surface can damage tempered glass and cause it to shatter.
- This product uses tempered glass. Glass cannot be cut after it has been tempered. **Do Not attempt to cut tempered glass.**
- DreamLine® Glass Shower doors, Tub doors, Inline panels, and Return panels can shatter due to improper handling or lack of maintenance. Conduct periodic inspections of glass and all parts for possible damage, missing or loose parts.
- Always wear proper safety equipment such as: safety goggles, work gloves and appropriate footwear during the installation process.
- **WARNING. Risk of leakage and/or damage.** Follow all instructions regarding the application of silicone sealant or caulk. Allow 24 hours for the sealant to cure before the initial use of the shower or tub product. Follow the silicone manufacturer's recommendations regarding the use of their product.
- **Thoroughly read these instructions before installing or using this product.**
- **Leave this manual for the end-user of the product.**



This product should be installed by someone familiar with the construction requirements for this type of product and the care necessary for the safe installation and operation of the product.



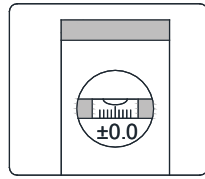
**Professional Installation recommended.**

# Model Specific Preparation

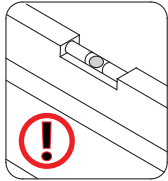
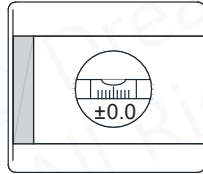


## REQUIRED:

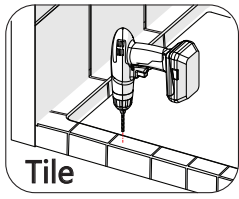
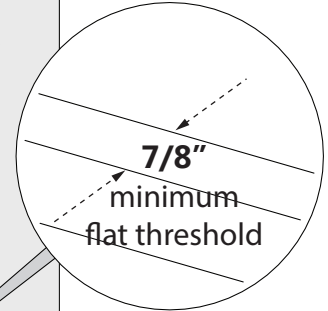
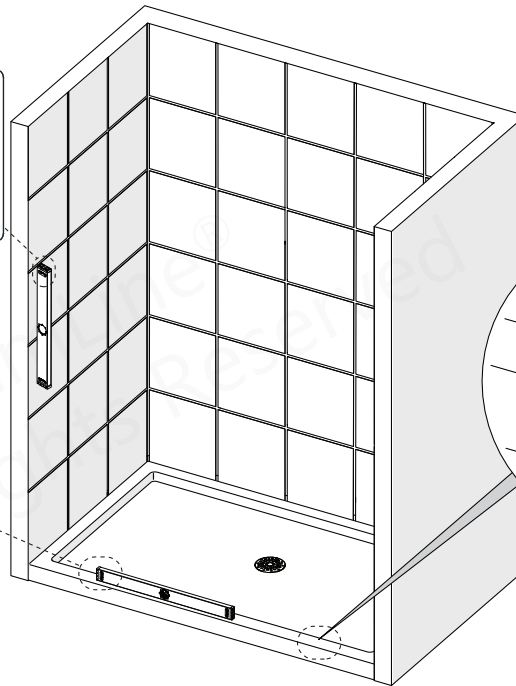
**1/4" Out-of-Plumb Adjustment; Verify threshold and walls with a level**



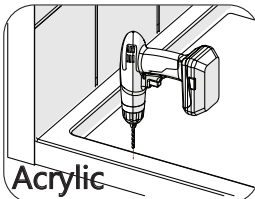
**Threshold must be level**



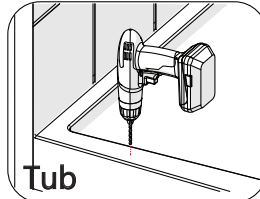
**Threshold must be level**



Tile



Acrylic



Tub

This model has an adjustable wall profile system that allows for up to 1/4" (per side) for Out-of-Plumb wall conditions and overall width within the model size. For more information, see the Adjustable Wall Profile System on page 6.

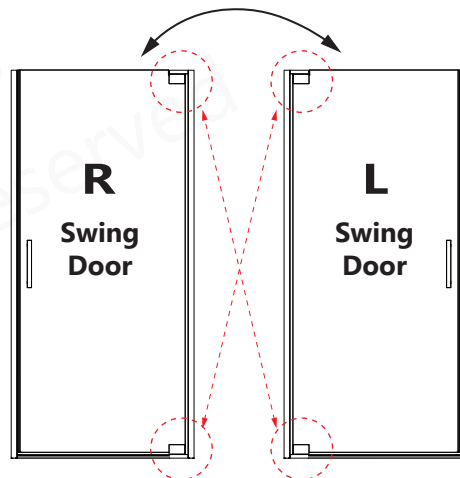


Contact the manufacturer of the base, tub or threshold material with any questions regarding the drilling of holes into their product.



**DO NOT** attach the handle to the door glass until instructed.  
**DO NOT** attempt to use the handle to lift the door glass during installation.

This may result in damage to the glass and/or serious injury. Always use a professional grade glass suction cup and an assistant.

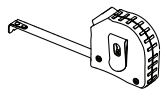


This door is reversible for right or left-swing door installation. The left-swing door installation is shown as an example throughout this manual. For the right-swing door installation, simply begin on the opposite wall and reverse the orientation of the installation steps shown.

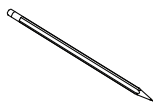
## Tools



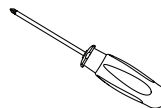
Level



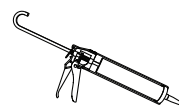
Tape Measure



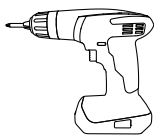
Pencil



Phillips  
Screwdriver



Silicone



Power  
Drill



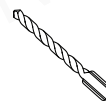
Drill Bit  
Ø1/8"  
(3mm)



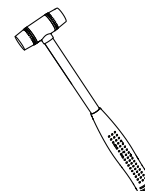
Drill Bit  
Ø3/16"  
(4mm)



Drill Bit  
Ø1/4"  
(6mm)



Drill Bit  
Ø5/16"  
(8mm)



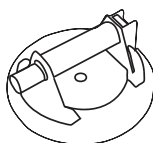
Soft Head  
Hammer



Painter's Tape



Razor Knife



Professional-grade  
Glass suction cup



Safety Glasses



Work Gloves



To be sure that the correct model size has been ordered, measure the finished opening **before** proceeding with the installation.



Cover the shower/tub drain with tape prior to installation to prevent the loss of screws or small parts.



To prevent stripping the screw heads, set power drill to a low setting when installing screws.

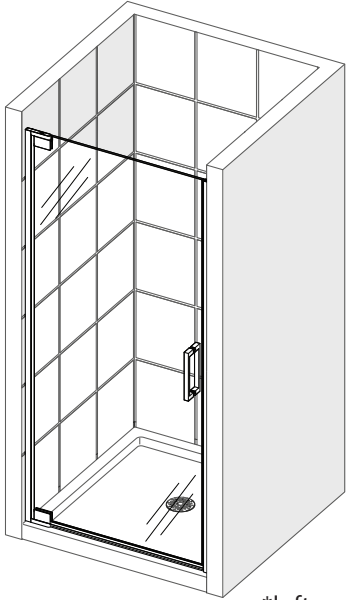


Unpack your unit carefully and inspect it. Lay it out and identify all parts using the **Detailed Diagram** on **page 7** and the included packing list in this manual as a reference. Before discarding the carton, check for small hardware bags that may have fallen to the bottom of the box. If any parts are damaged or missing, please contact DreamLine® for replacement. The shipping boxes may contain extra parts not used in your model configuration.



Retain these installation instructions for future reference.

# Configurations



**SHDR-443400-##**

## **ELEGANCE PLUS**

Single Door

**This manual will describe the single door installation of the **ELEGANCE PLUS** models.**



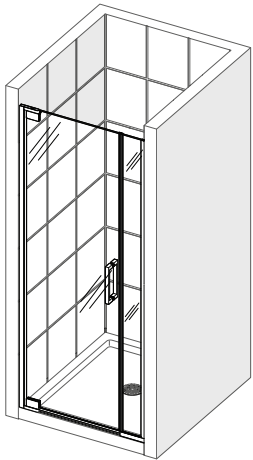
For models with additional panel glass, **use this manual first to install the door**, and then use the manual that is packaged with the panel glass to install the panel.

\*left-swing door installation shown



### **For installation of additional inline panel glass:**

Use the inline panel glass installation manual packaged with the panel glass (after the door is installed) for the models pictured below.



**SHDR-443060-##**

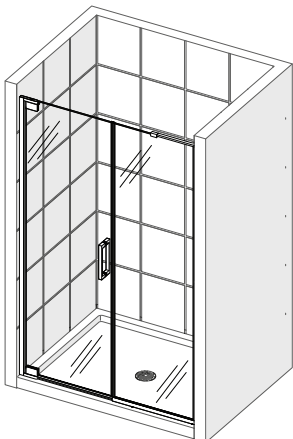
**SHDR-443465-##**

**SHDR-444014-##**

## **ELEGANCE PLUS**

Single Door with Inline Panel  
(6", 6-1/2", 14" Inline Panel)

\*left-swing door installation shown



**SHDR-444622-##**

**SHDR-4452225-##**

**SHDR-4458305-##**

## **ELEGANCE PLUS**

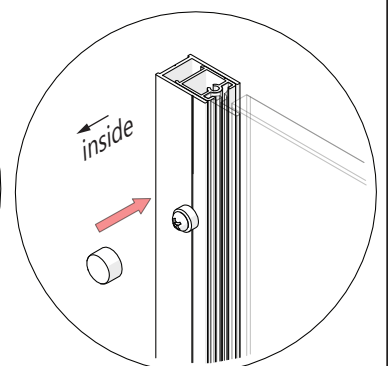
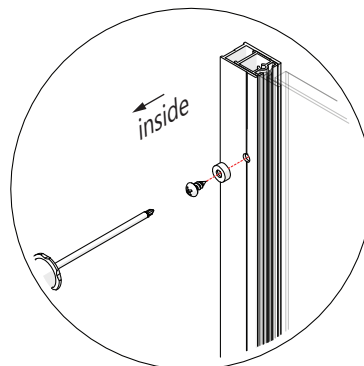
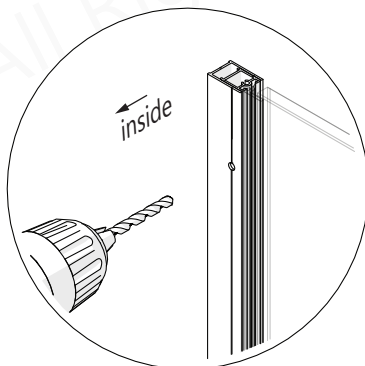
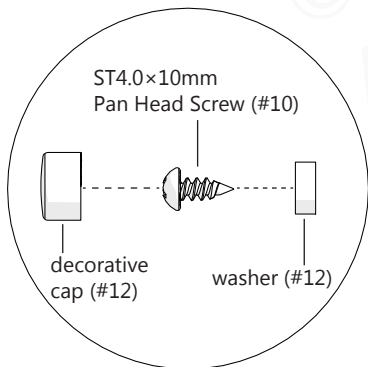
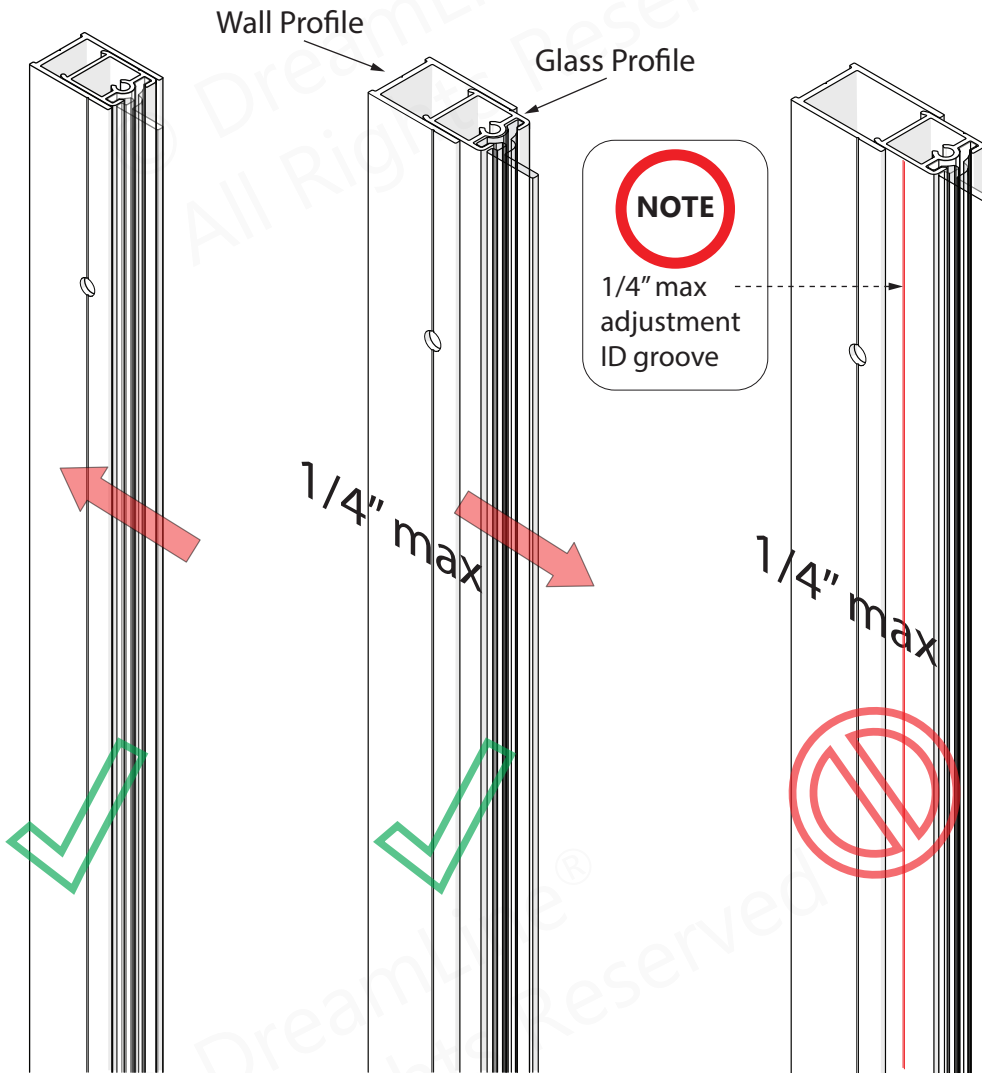
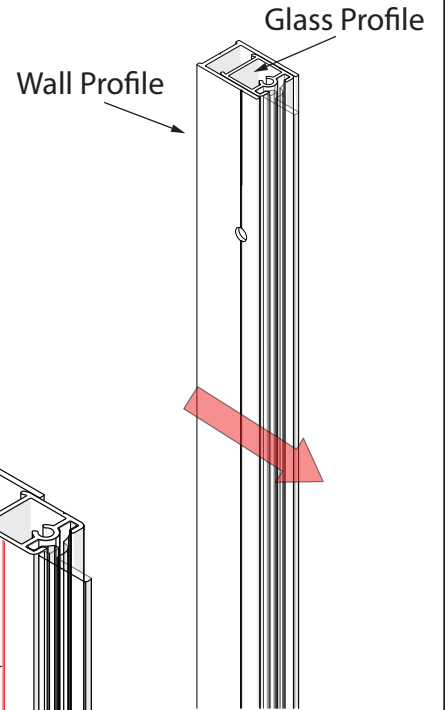
Single Door with Inline Panel & L-Bar™  
(22", 22-1/2" Inline Panel with 12" L-Bar™)  
(30-1/2" Inline Panel with 18" L-Bar™)

\*left-swing door installation shown

# Adjustable Wall Profile System

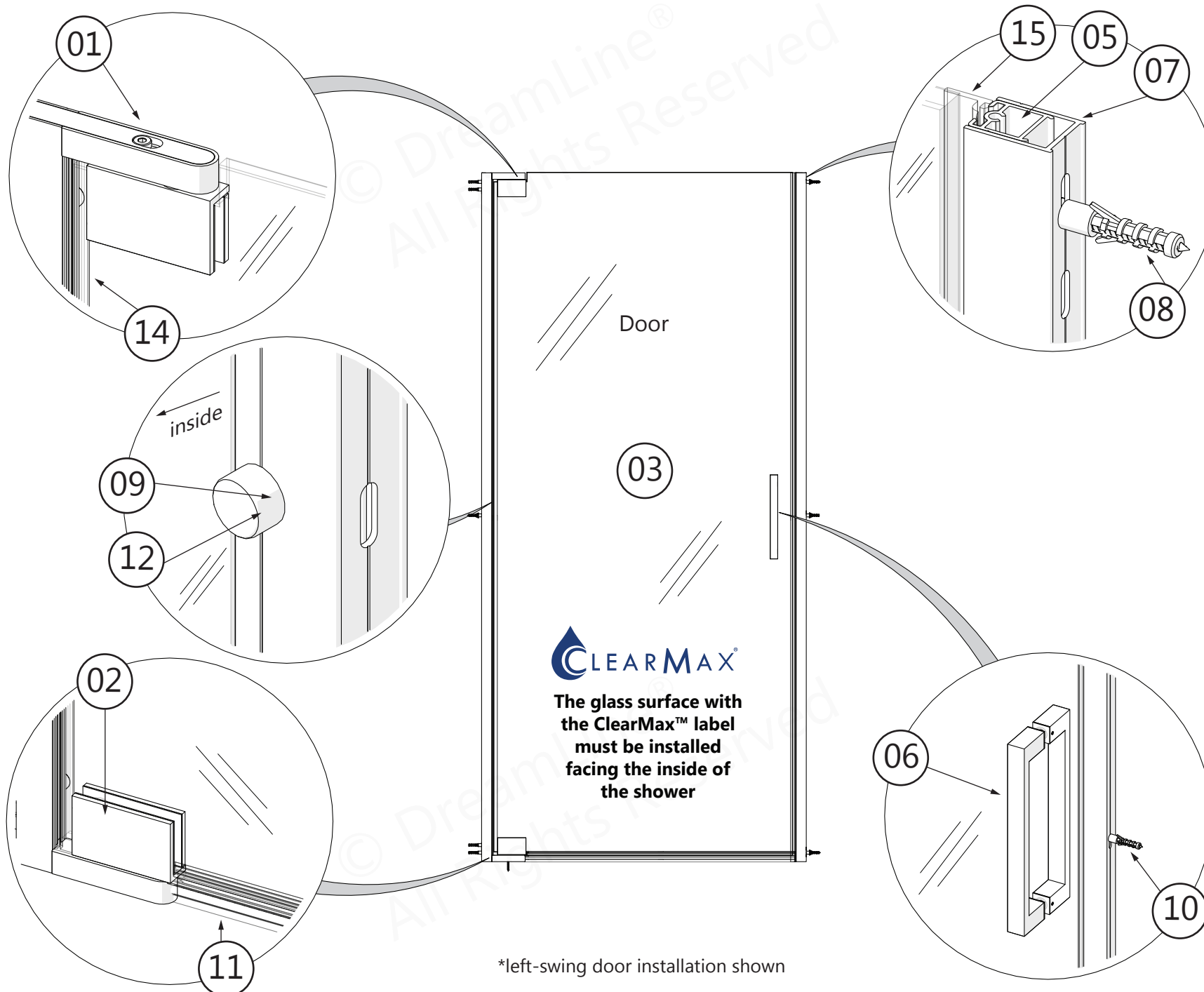


The Glass Profiles can be adjusted up to 1/4" within the Wall Profiles for overall width or to correct for out-of-plumb conditions within the model size. Screw them together after making final adjustments.



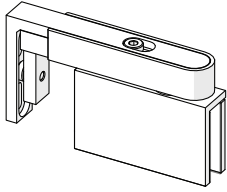


# Detailed Diagram of Shower Door Components



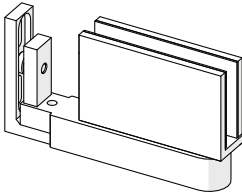
# Parts List

01



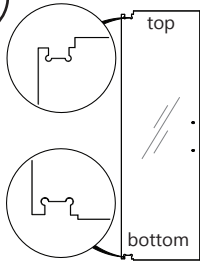
Pivot Assembly - A **x1**

02



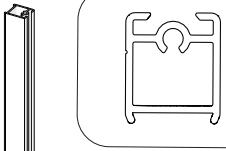
Pivot Assembly - B **x1**

03



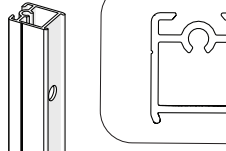
Door Glass **x1**

04




Glass Profile  
(for Pivot side)(shorter) **x1**

05



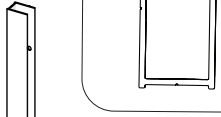
Glass Profile  
(for Strike side)(longer) **x1**

06



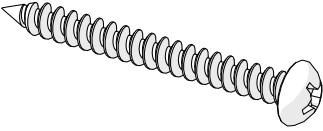
Handle **x1**

07



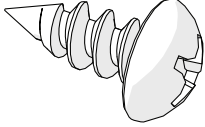
Wall Profile **x2**

08



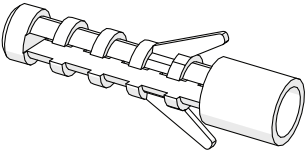
ST4.0x40mm  
Pan Head Screw **x8**

09



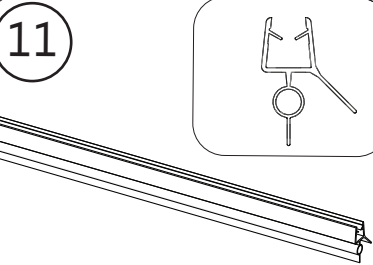
ST4.0x10mm  
Pan Head Screw **x6**

10



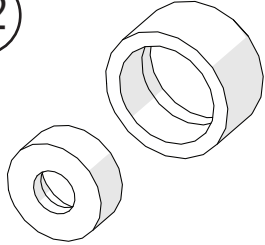
Wall Anchor  
8mm (5/16 in) **x4**

11



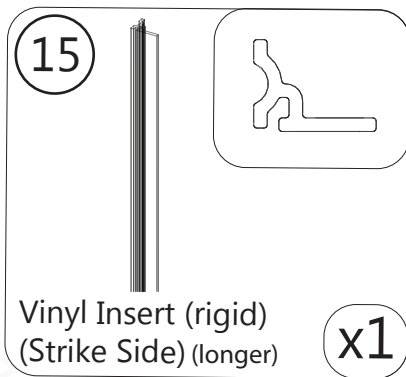
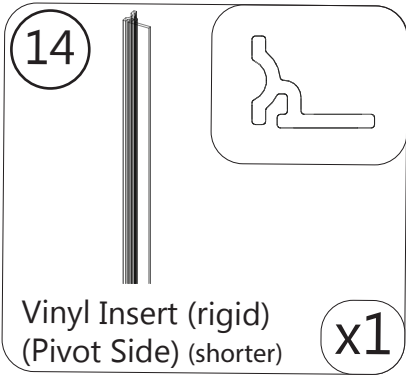
Bottom Sweep Vinyl **x1**

12



Decorative Cover  
with Washer **x6**

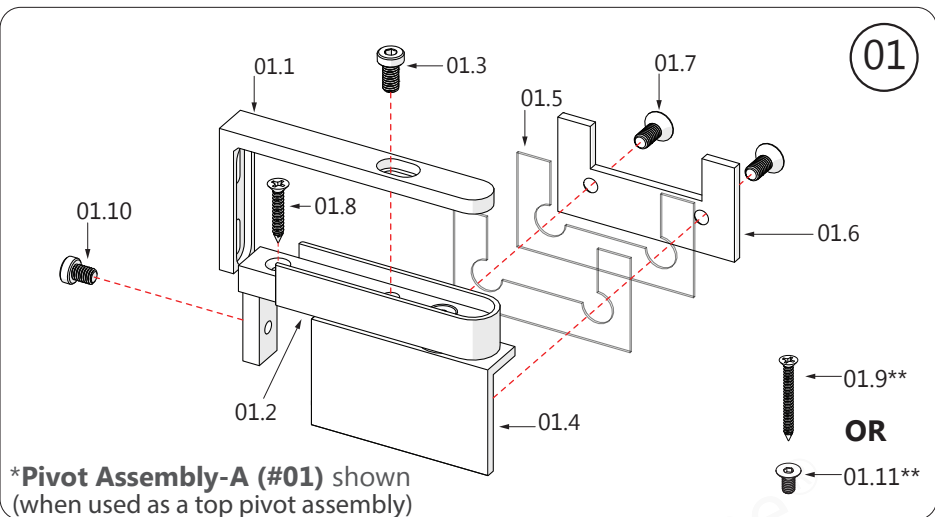
# Parts List



**!** It is not necessary to fully disassemble the **Pivot Assemblies** for installation.

**!** The Pivot Assemblies are paired and either one can be used as the top or bottom pivot depending on the handing of the door installation. See note\* below.

## Parts per Pivot Assembly-A



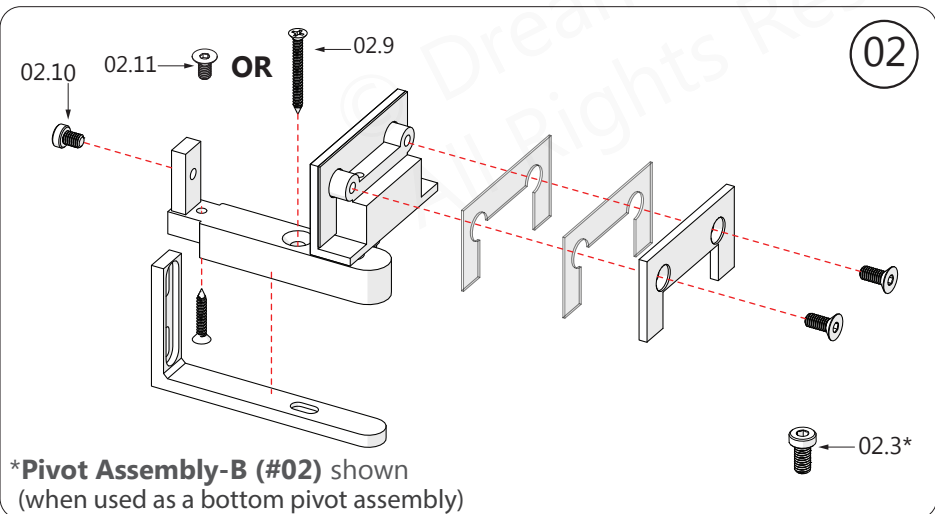
Pivot Assembly A		
ITEM #	ITEM DESCRIPTION	QTY
01.1	Pivot Retainer	1 pc
01.2	Pivot Bracket	1 pc
01.3*	M6 x 12 Socket Head Hex Screw	1 pc
01.4	Pivot Body	1 set
01.5	Clear Gasket	2 pcs
01.6	Back Plate	1 pc
01.7	M6 x 14 Countersunk Hex Screw	2 pcs
01.8	ST4.2 x 25mm Countersunk Screw	1pc
01.9	ST4.2 x 40 Countersunk Screw	1 pc
01.10**	M6 x 12 Hex Socket Head Cap Screw	1 pc
01.11**	M6 x 12 Countersunk Hex Head Screw	1 pc

\*Pivot Assembly-A (#01) shown (when used as a top pivot assembly)

**NOTE**

- \*When used as a top pivot assembly: use screw / item #01.3/02.3
- \*\*When used as a bottom pivot assembly: use either screw / item #01.10/02.10 or #01.11/02.11

## Parts per Pivot Assembly-B

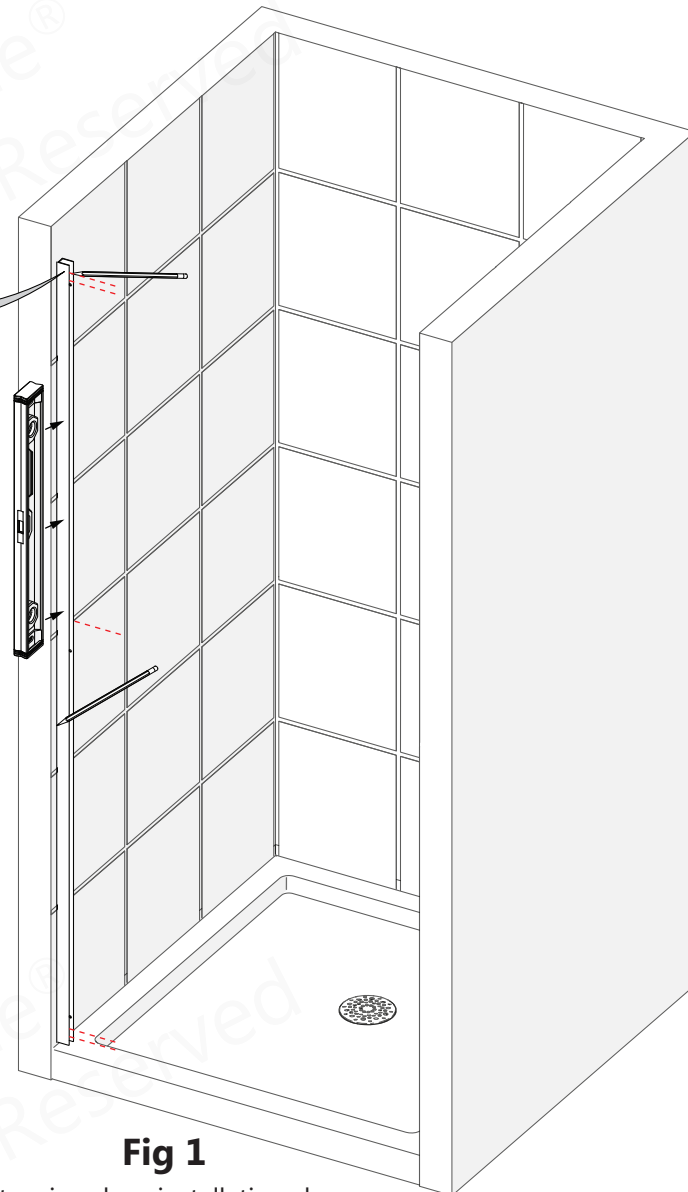
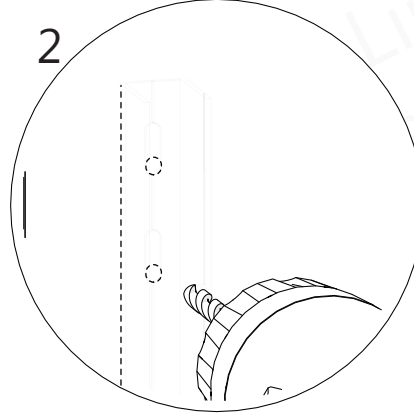
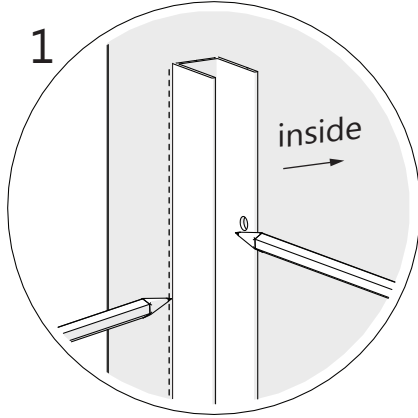


Pivot Assembly B		
ITEM #	ITEM DESCRIPTION	QTY
02.1	Pivot Retainer	1 pc
02.2	Pivot Bracket	1 pc
02.3*	M6 x 12 Socket Head Hex Screw	1 pc
02.4	Pivot Body	1 set
02.5	Clear Gasket	2 pcs
02.6	Back Plate	1 pc
02.7	M6 x 14 Countersunk Hex Screw	2 pcs
02.8	ST4.2 x 25mm Countersunk Screw	1pc
02.9	ST4.2 x 40 Countersunk Screw	1 pc
02.10**	M6 x 12 Hex Socket Head Cap Screw	1 pc
02.11**	M6 x 12 Countersunk Hex Head Screw	1 pc

\*Pivot Assembly-B (#02) shown (when used as a bottom pivot assembly)

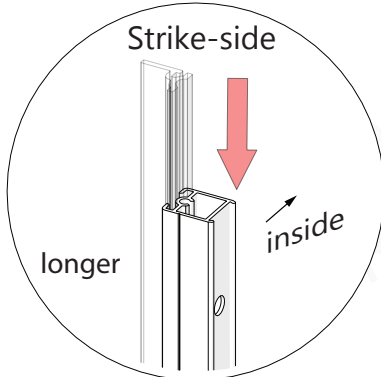
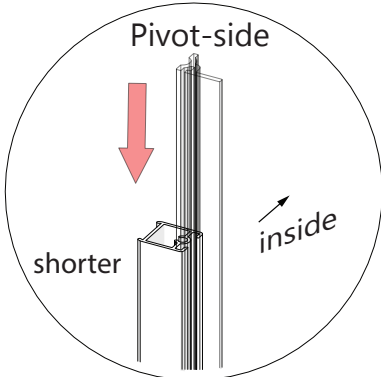
1

# Installation Steps



**NOTE**

▪ **If a stud is present behind the wall:**  
 drill a  $\text{Ø}3/16''$  (4mm) hole up to the stud, drill an  $\text{Ø}1/8''$  (3mm) pilot hole and use the **ST4.0 x 40mm Pan Head Screws (#08)**  
**OR**  
 ▪ **If no stud is present behind the wall:**  
 drill a  $\text{Ø}5/16''$  (7mm) hole and insert the **Wall Anchors (#10)** and use the **ST4.0 x 40mm Pan Head Screws (#08)**.



\*left-swing door installation shown

**Fig 1**

\*left-swing door installation shown

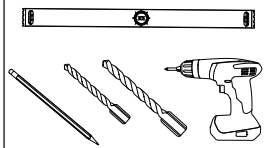
**NOTE**

Slide both of the **Vinyl Inserts (rigid) (#14) (#15)** into both **Glass Profiles (#04) (#05)**. The **Glass Profile for the Pivot Side (#)** is the **shorter** of the two profiles. Once completed, set aside for later use.

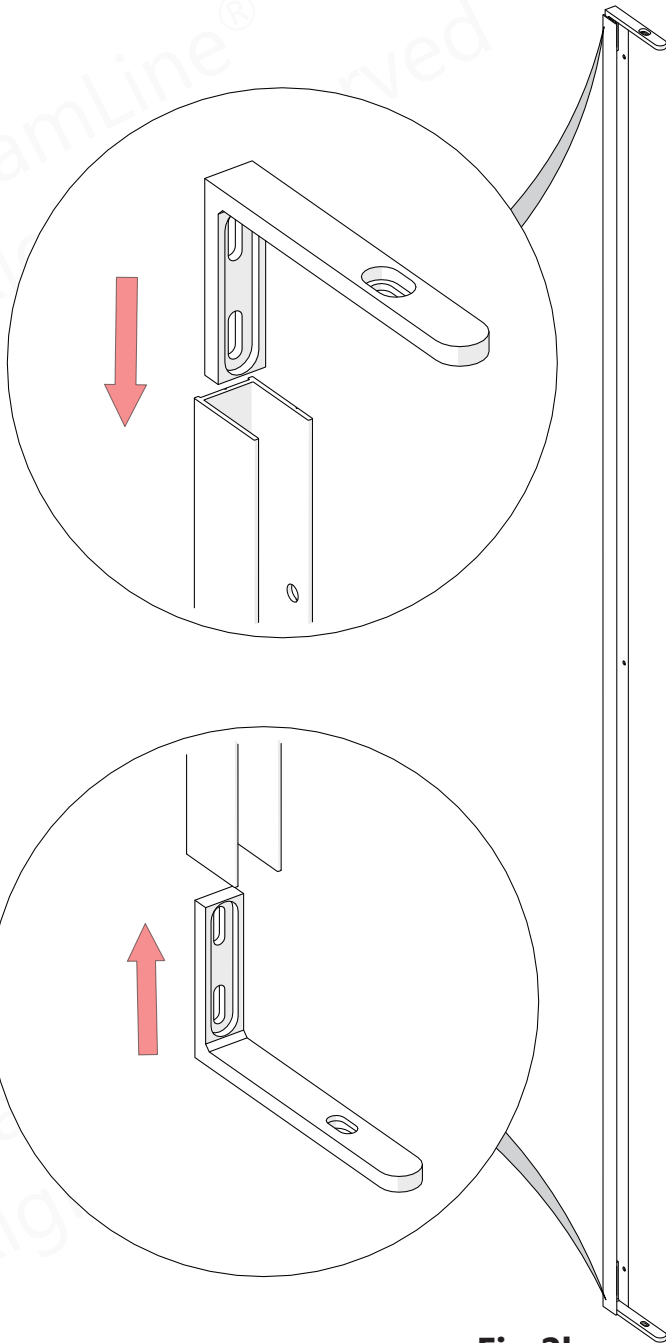
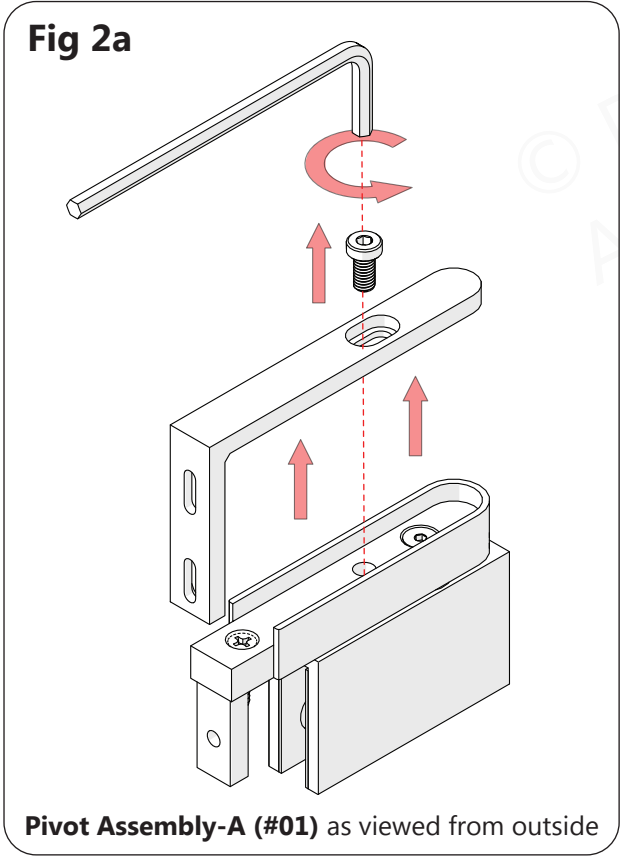
**Parts Needed**

- (07) x1
- (04) x1
- (05) x1
- (14) x1
- (15) x1

**Tools Needed**

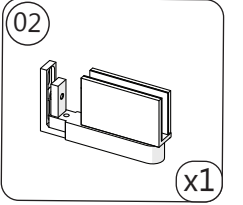
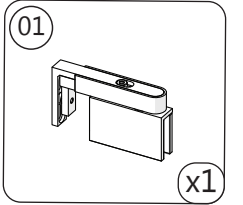


2



**Fig 2b**

**Parts Needed**



**Tools Needed**



\*left-swing door installation shown

3

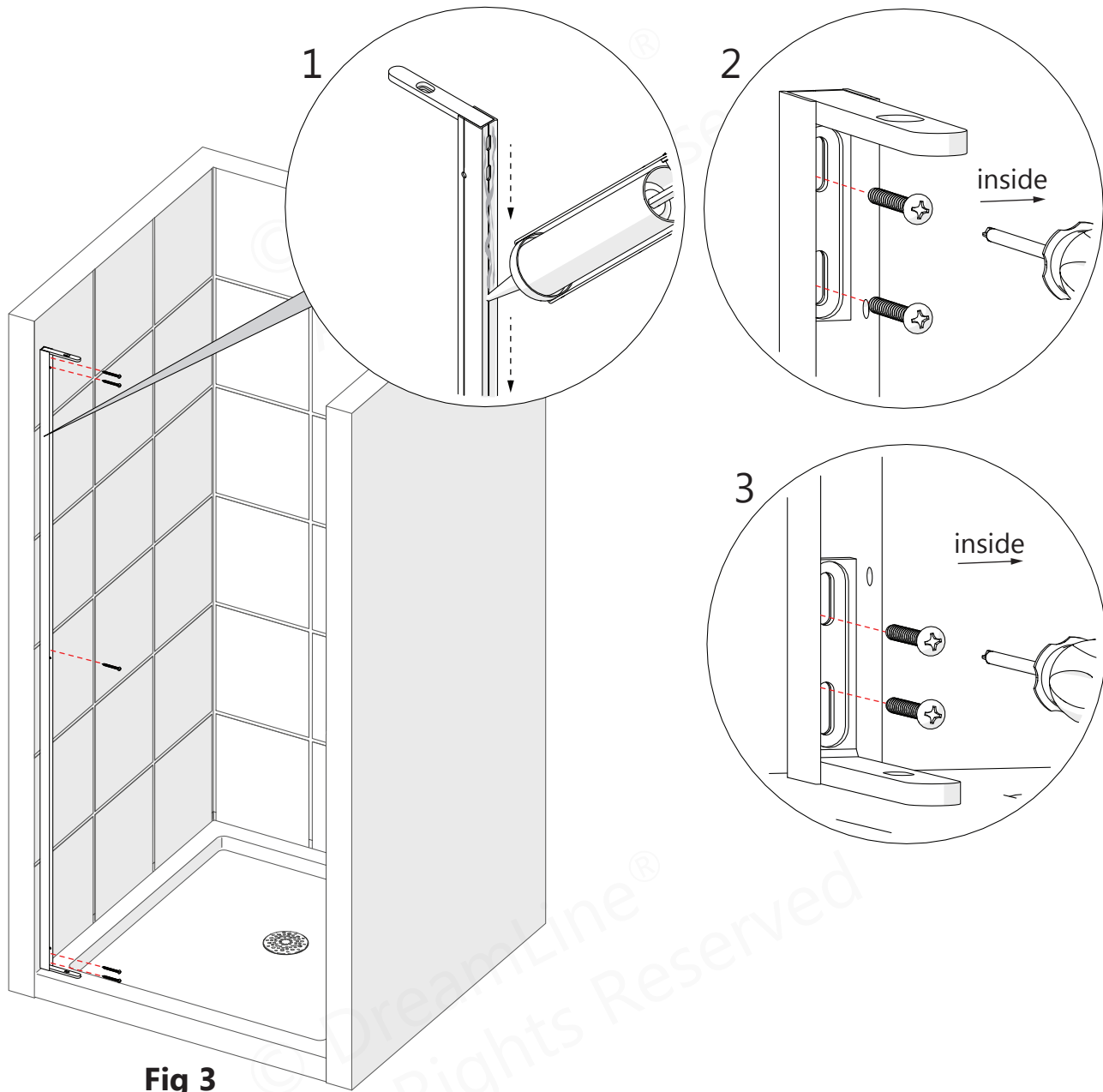
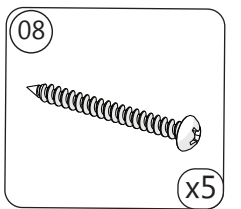


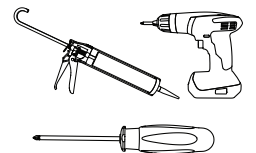
Fig 3

\*left-swing door installation shown

Parts Needed



Tools Needed



4

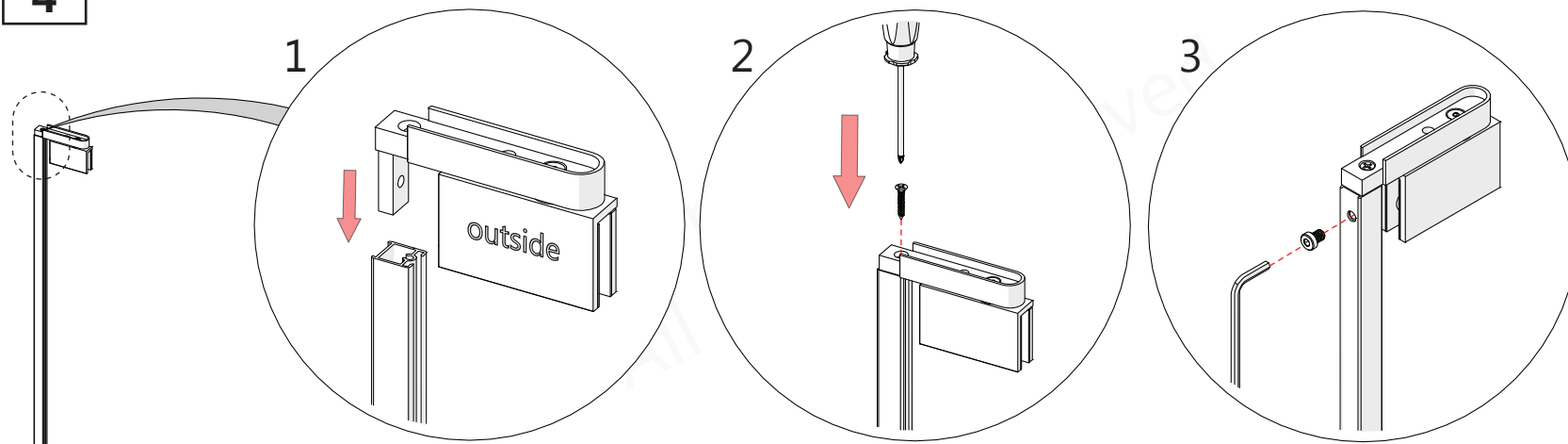
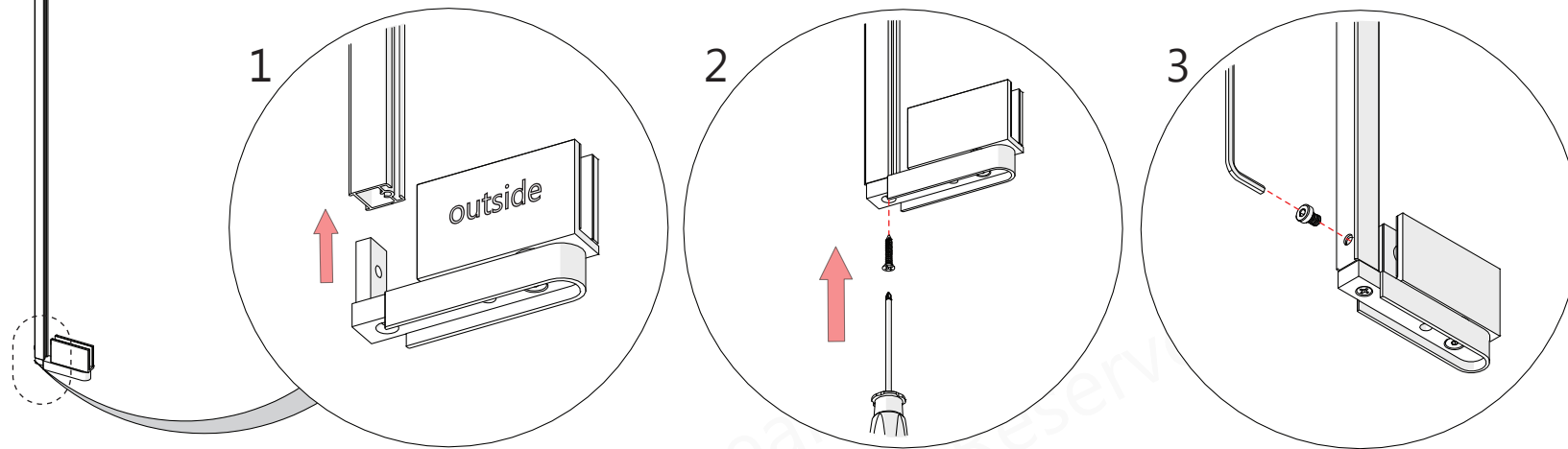


Fig 4



\*left-swing door installation shown

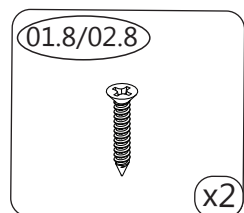
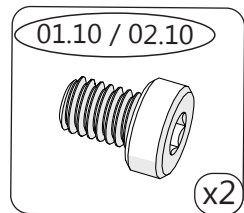


The **Glass Profile for Pivot Side (#04)** is the shorter of the two Glass Profiles and has an additional pair of holes at each end. These extra holes are not present in the **Glass Profile (#05)** that is used for the strike-side.

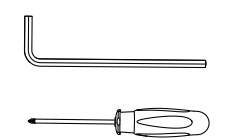


Attach the hinges to the **Glass Profile for Pivot Side (#04)** as shown in Fig 4. The **Back Plate (#01.6/#02.6)** of the **Pivot Assembly (#01/#02)** must face the inside of the shower. (see the Pivot Assembly diagram on **Page 9** for part details)

Parts Needed



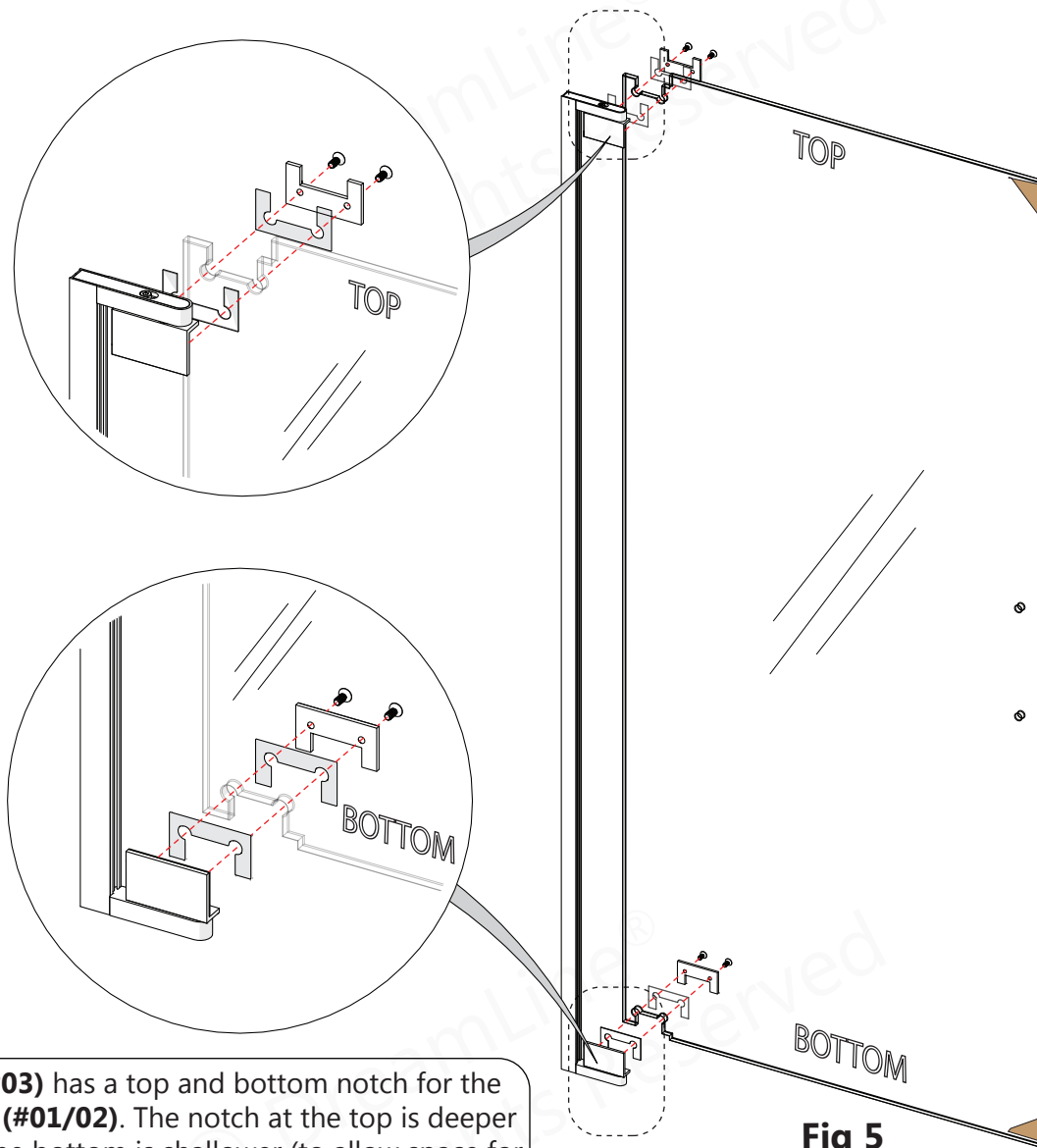
Tools Needed



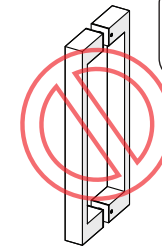
5



Protect the edges of the door glass from making contact with the walls and threshold during installation and adjustment.

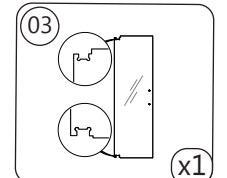
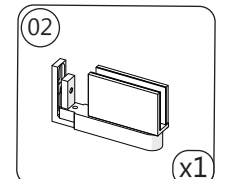
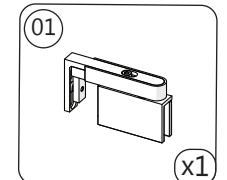


Leave the corner protectors on the glass until it is necessary to remove them.



Do Not install the handle yet.

**Parts Needed**



**Tools Needed**



The **Door Glass (#03)** has a top and bottom notch for the **Pivot Assemblies (#01/02)**. The notch at the top is deeper and the notch at the bottom is shallower (to allow space for the **Bottom Sweep Vinyl (#11)**). Identify this difference to prevent installing the Door Glass upside-down.



Use caution when handling the **Door Glass (#03)**. **DO NOT** lift the Door Glass with the **Handle (#06)**.

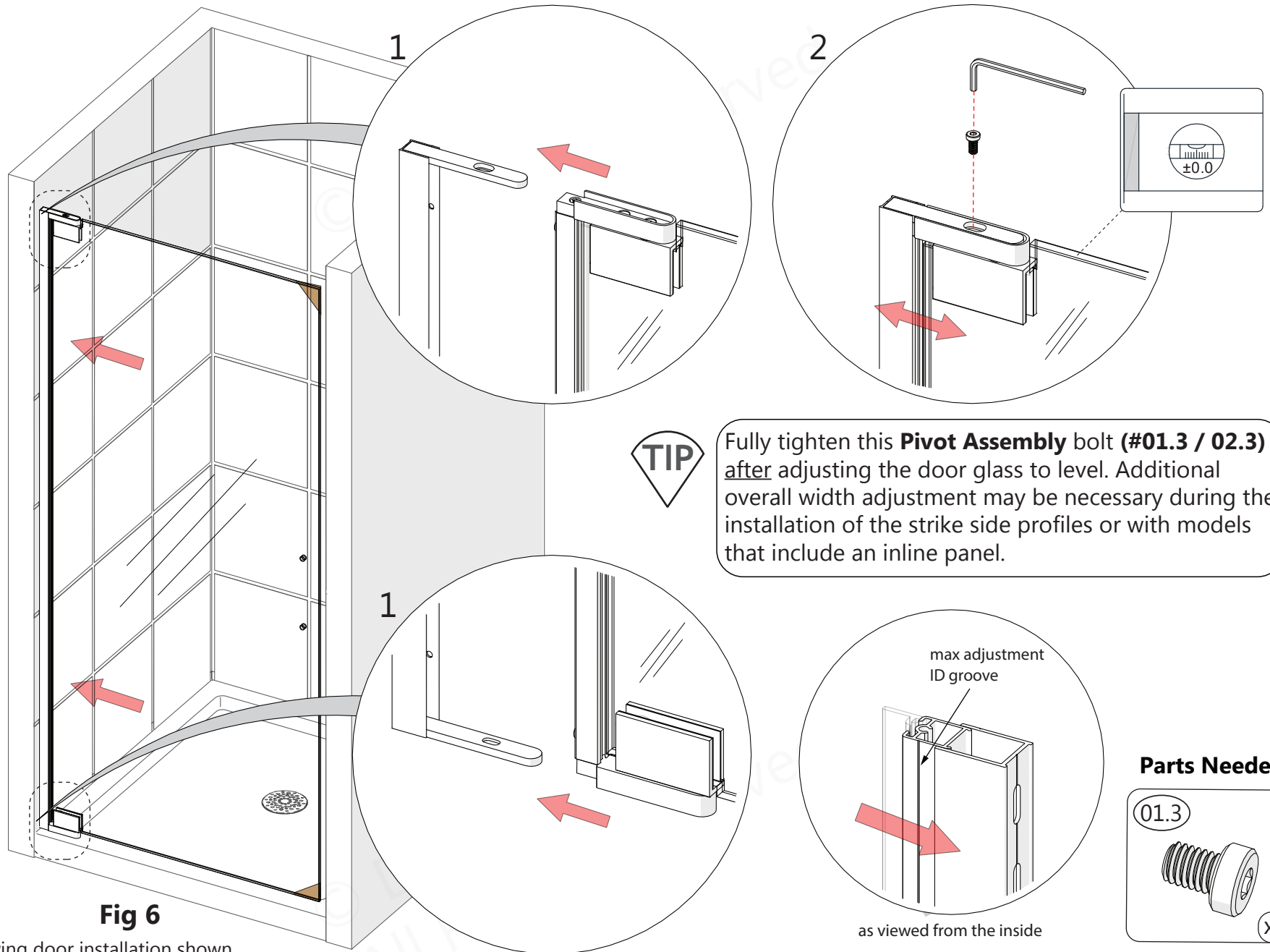


**Fig 5**

\*left-swing door installation shown



6



Fully tighten this **Pivot Assembly bolt (#01.3 / 02.3)** after adjusting the door glass to level. Additional overall width adjustment may be necessary during the installation of the strike side profiles or with models that include an inline panel.

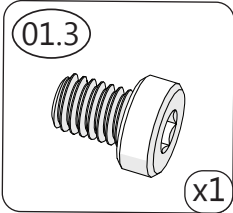
**Fig 6**

\*left-swing door installation shown



Each two piece wall profile system (consisting of the **Glass Profiles (#04/05)** and **Wall Profiles (#07)**) will allow for overall width and/or 1/4" out-of-plumb adjustment within the model size.

**Parts Needed**

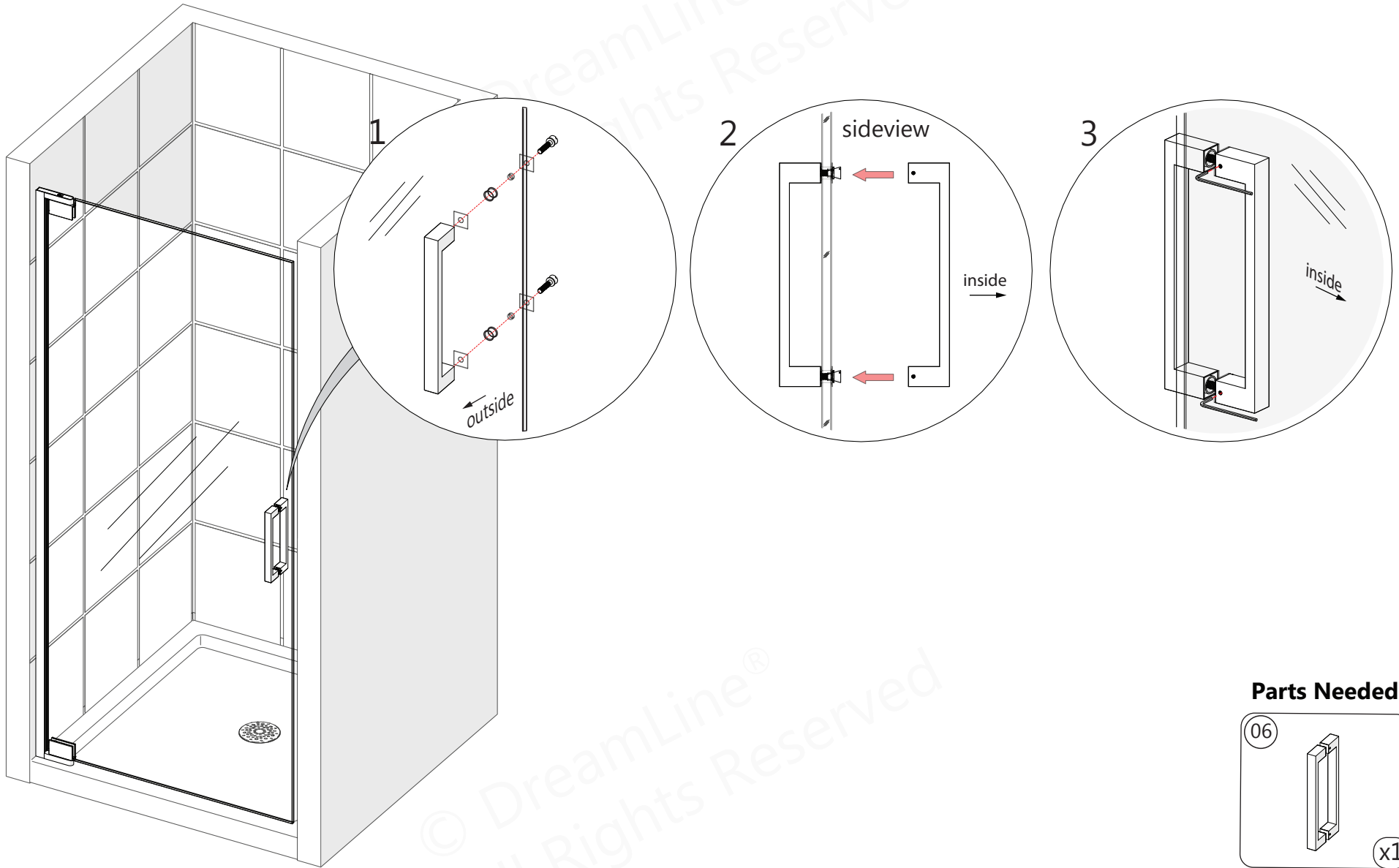


**Tools Needed**



7

# Handle Installation



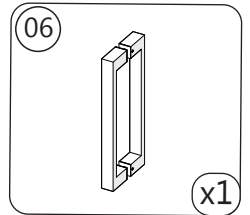
**Fig 7**

\*left-swing door installation shown



Tighten all four **Handle (#06)** set screws to ensure the handle is secured to the **Door Glass (#03)**. (see Fig 7.3)

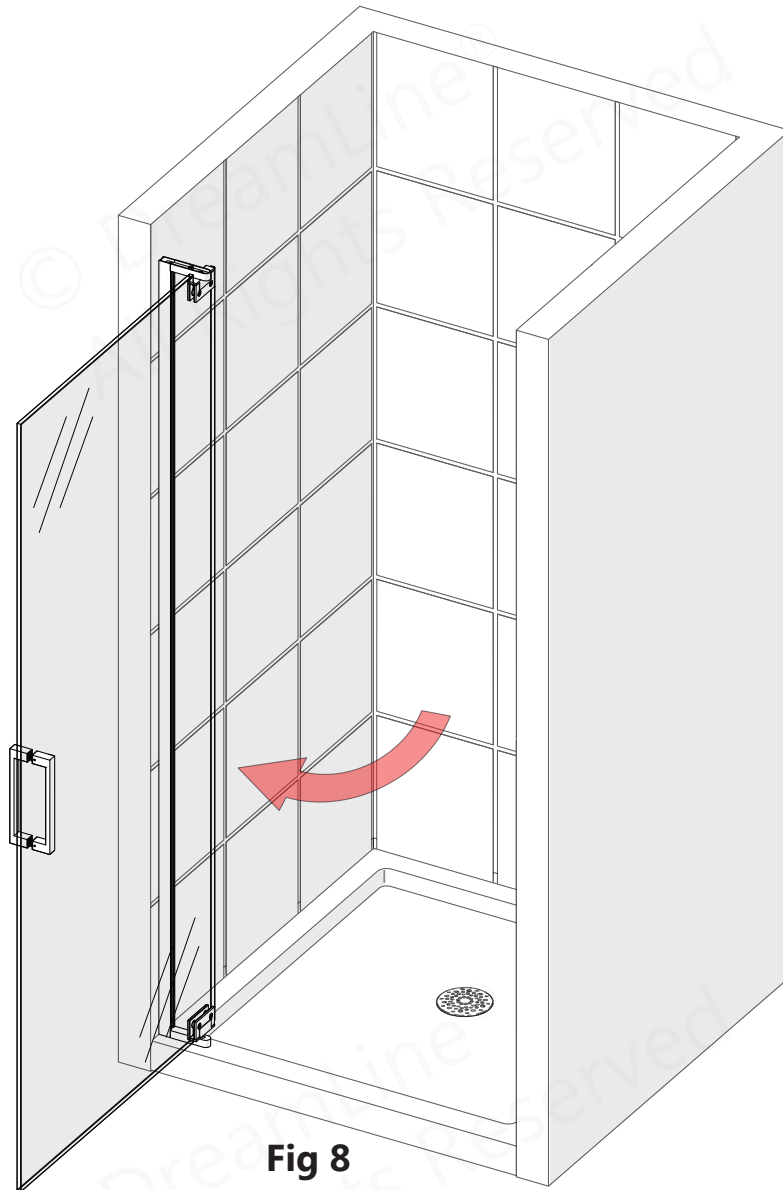
**Parts Needed**



**Tools Needed**



8



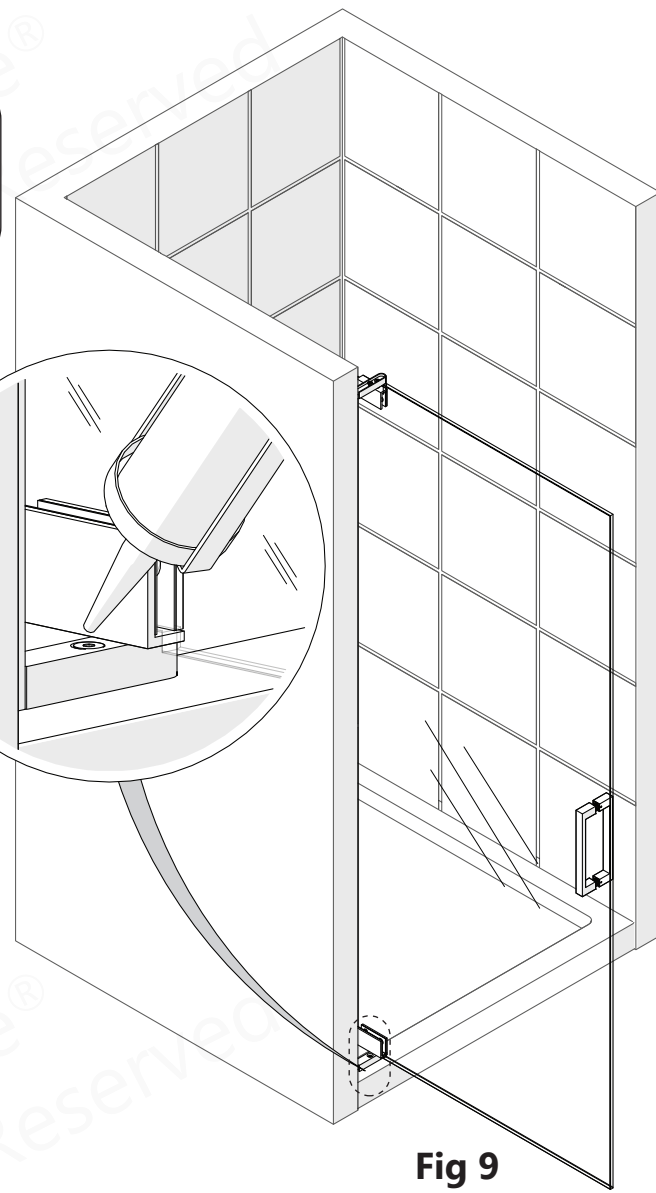
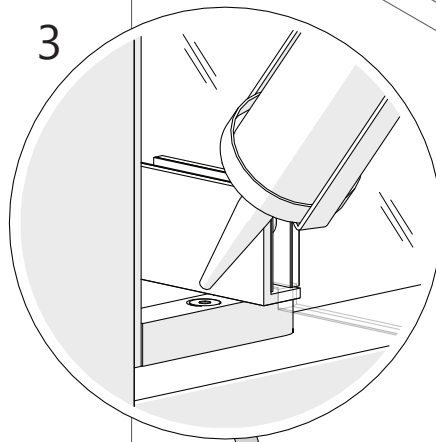
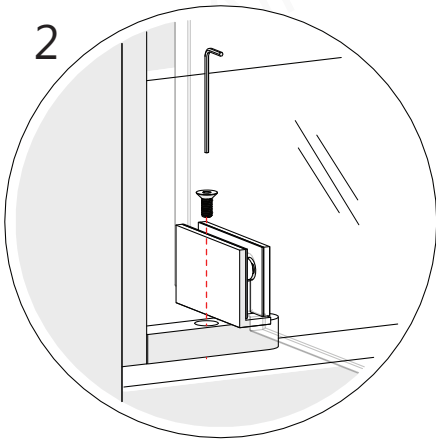
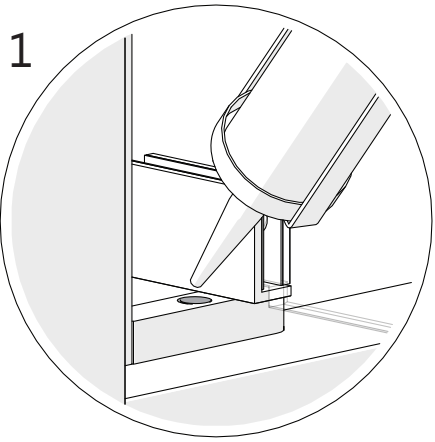
**Fig 8**

\*left-swing door installation shown

9

**NOTE**

Sealing the hole in the bottom **Pivot Bracket (#02.2)** is important to prevent water leakage. Screwing the bottom **Pivot Bracket (#02.2)** to the threshold is optional. (See page 26 for details)



**Fig 9**

\*left-swing door installation shown

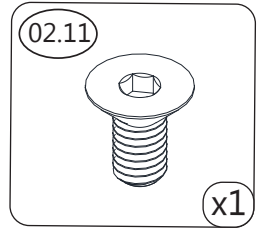


**\*Any width and/or out-of-plumb adjustments using the adjustable wall profile system must be made prior to screwing the Pivot Assembly-B (#02) down into the threshold. See Page 26 for specific instructions.**

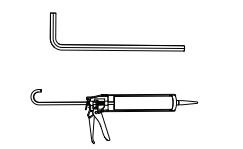


**When installing the door along with an inline panel model, postpone this step until after aligning the panel glass.**

**Parts Needed**



**Tools Needed**



10

# Strike Profile Installation

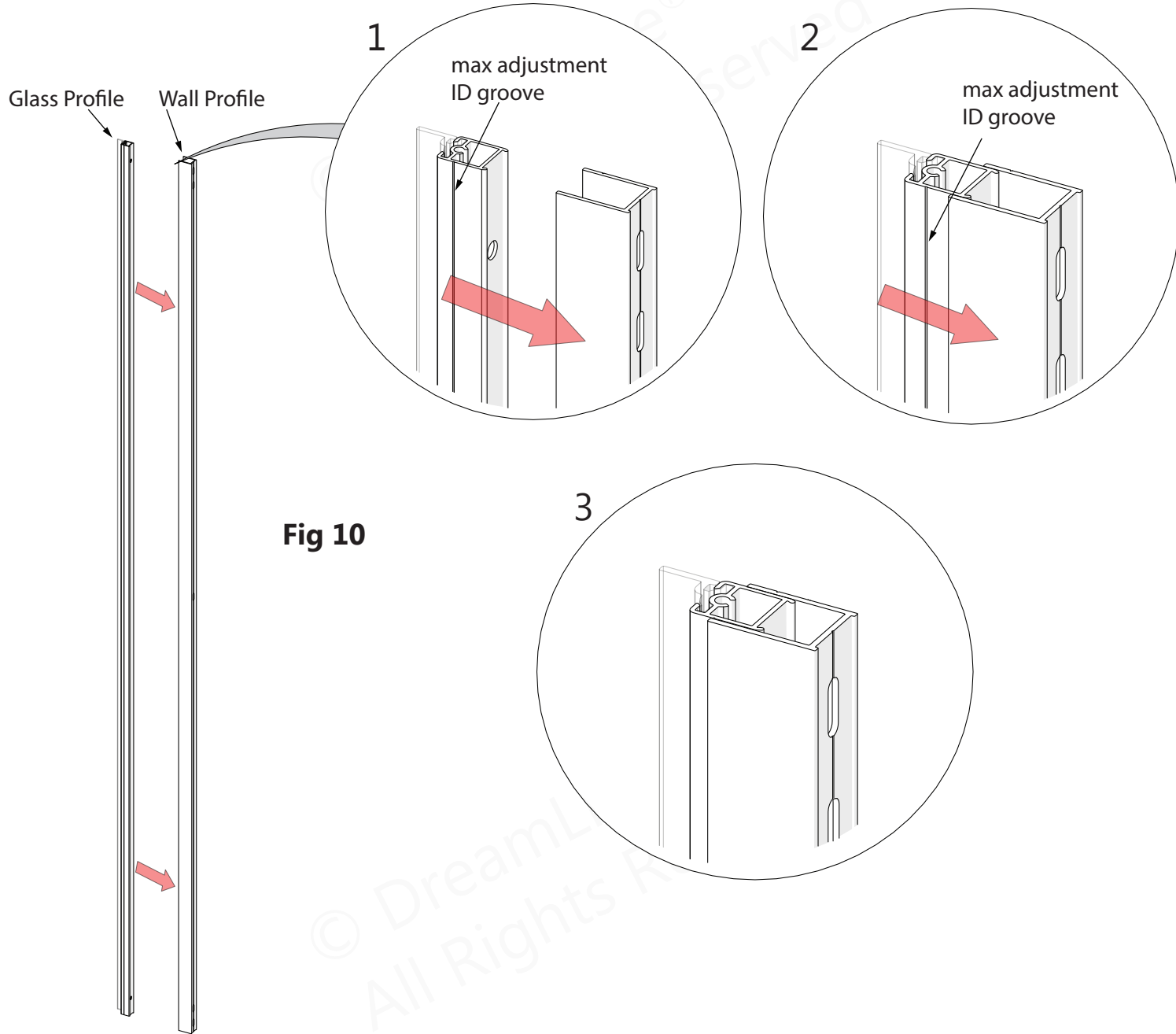





Fig 10

### Parts Needed

- 05

x1
- 07

x1
- 15

x1

11

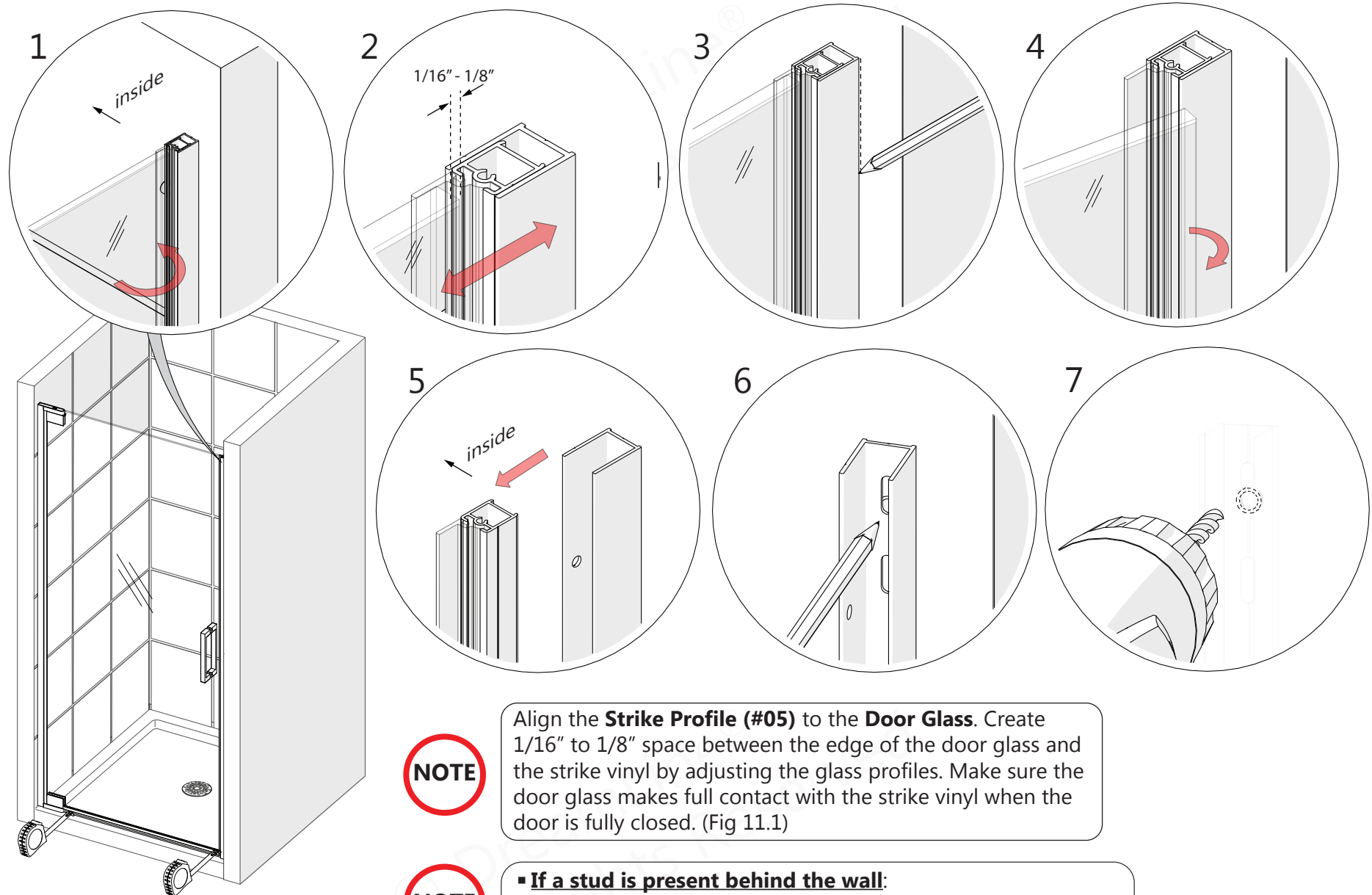


Fig 11

\*left-swing door installation shown

**NOTE**

Align the **Strike Profile (#05)** to the **Door Glass**. Create 1/16" to 1/8" space between the edge of the door glass and the strike vinyl by adjusting the glass profiles. Make sure the door glass makes full contact with the strike vinyl when the door is fully closed. (Fig 11.1)

**NOTE**

- **If a stud is present behind the wall:** drill a  $\text{Ø}3/16"$  (4mm) hole up to the stud, drill an  $\text{Ø}1/8"$  (3mm) pilot hole and use the **ST4.0 x 40mm Pan Head Screws (#08)**
- OR**
- **If no stud is present behind the wall:** drill a  $\text{Ø}5/16"$  (7mm) hole and insert the **Wall Anchors (#10)** and use the **ST4.0 x 40mm Pan Head Screws (#08)**.

**Tools Needed**

12

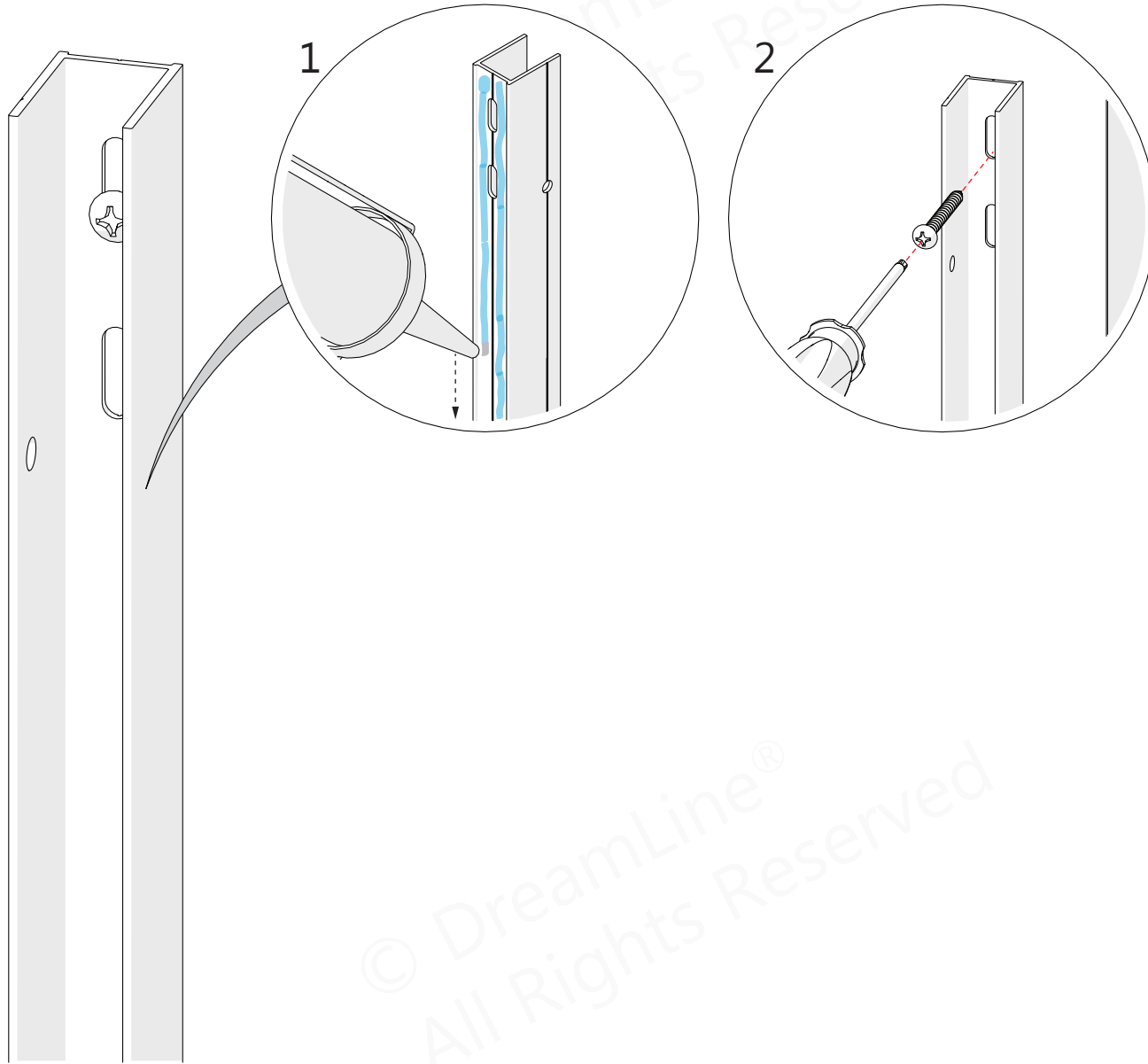
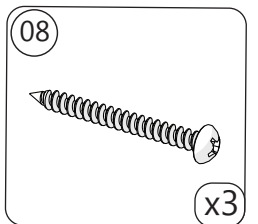
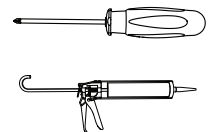


Fig 12

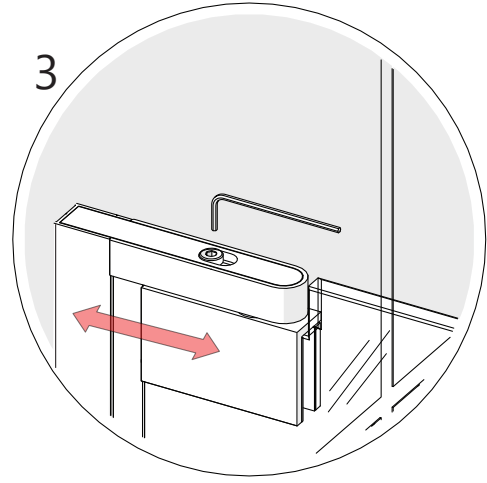
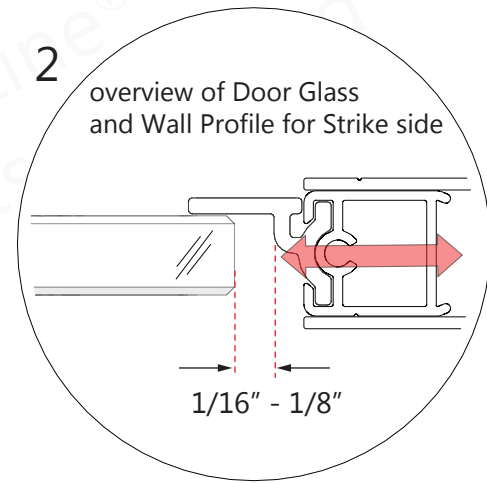
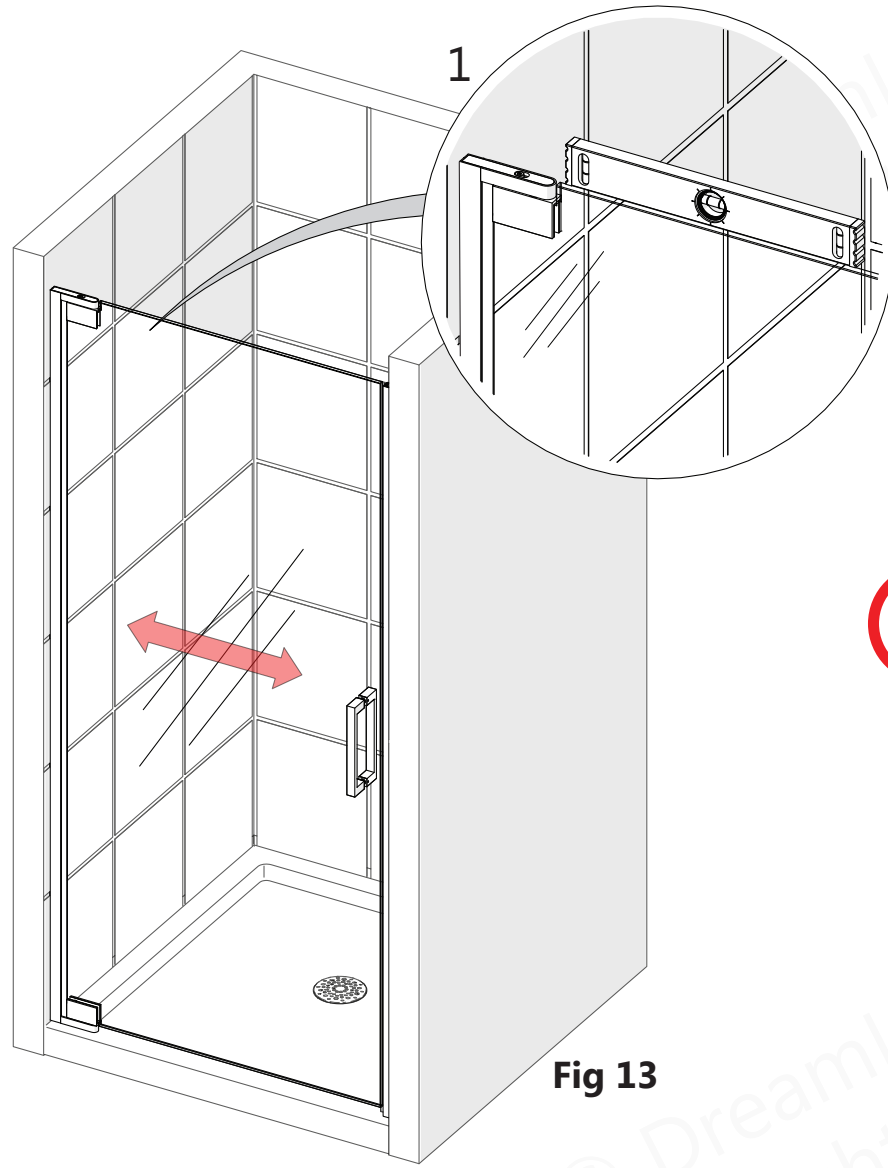
**Parts Needed**



**Tools Needed**



13



During adjustment:  
Do Not expose the 1/4" max  
adjustment ID groove in the  
glass profile(s).

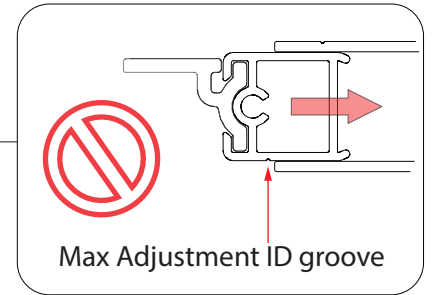
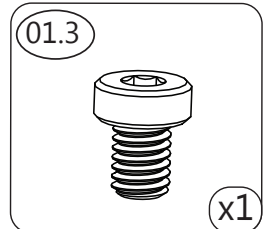


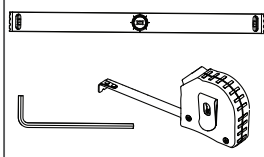
Fig 13

\*left-swing door installation shown

Parts Needed



Tools Needed



Use caution not to damage the edges of the door glass during adjustments.



14

# Decorative Cover Installation

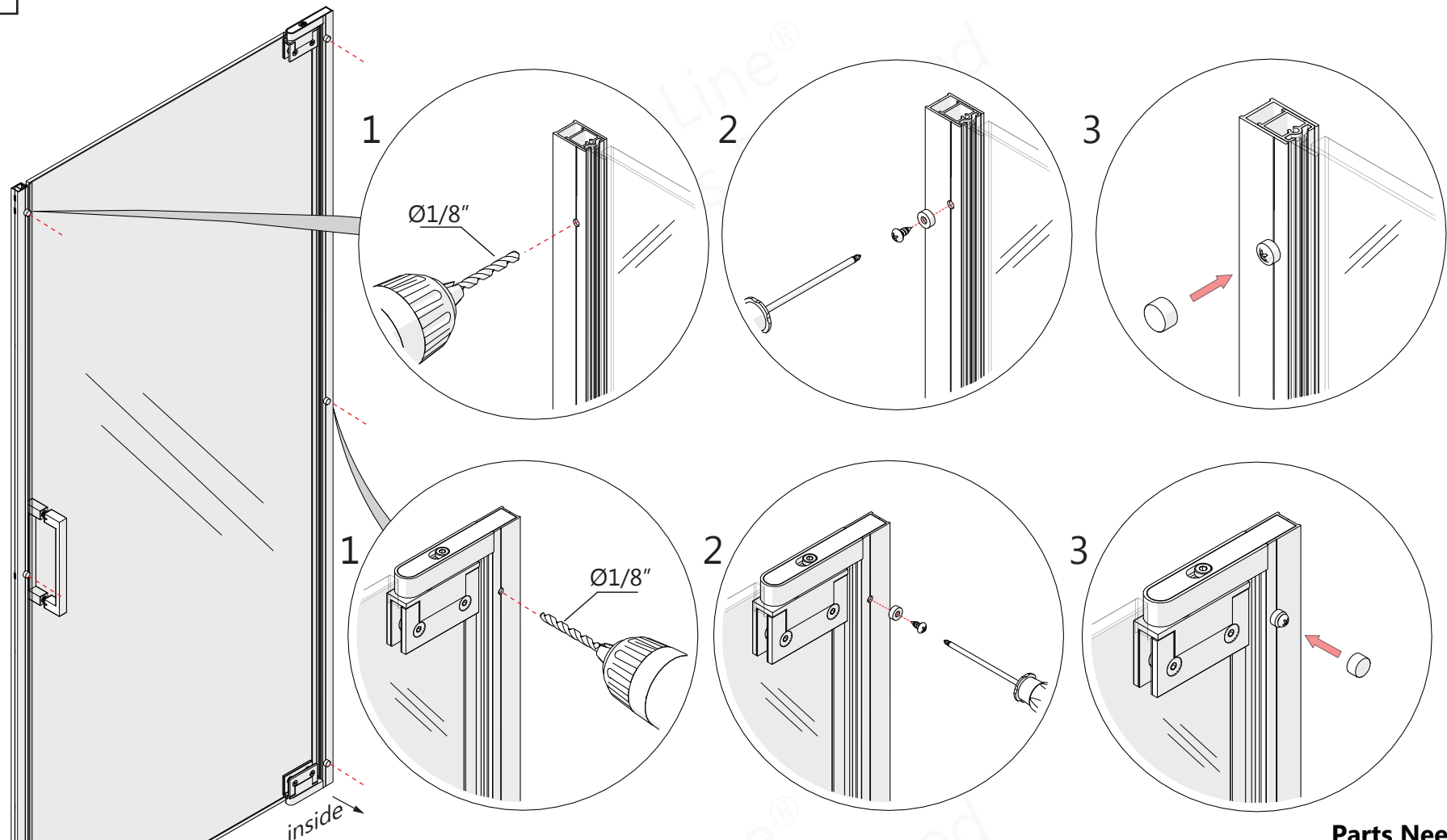


Fig 14



**When installing this door along with an inline panel, postpone this step until overall width adjustments have been made.**

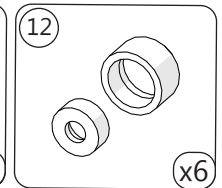
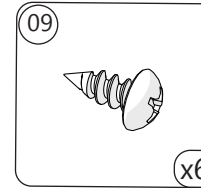


Only drill through the first layer of the **Glass Profiles (#04/05)** using an **Ø1/8"** drill bit.

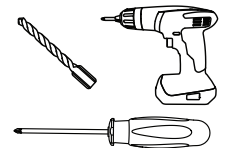


Turn to **Page 26** for instructions to screw the bottom **Pivot Retainer-B (#02.1)** to the threshold if desired. Otherwise, continue on to the next step.

**Parts Needed**



**Tools Needed**



\*left-swing door installation shown from the inside

15

# Bottom Sweep Vinyl Installation

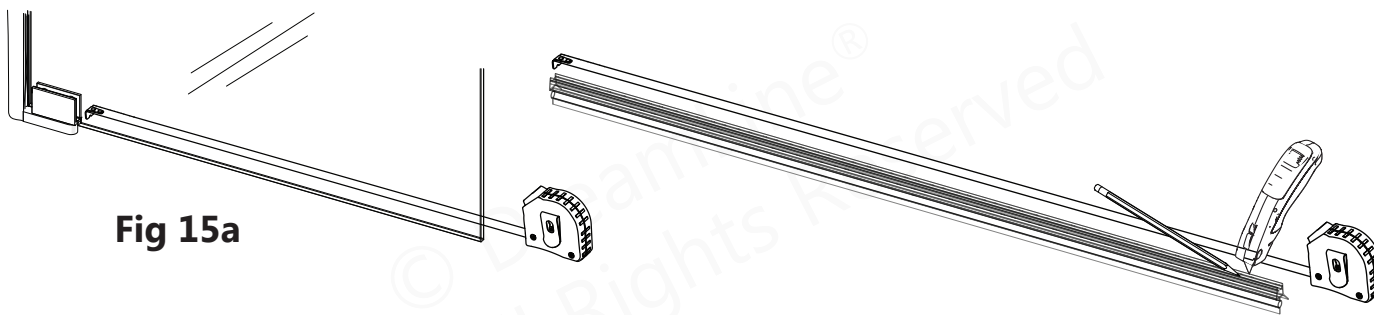


Fig 15a

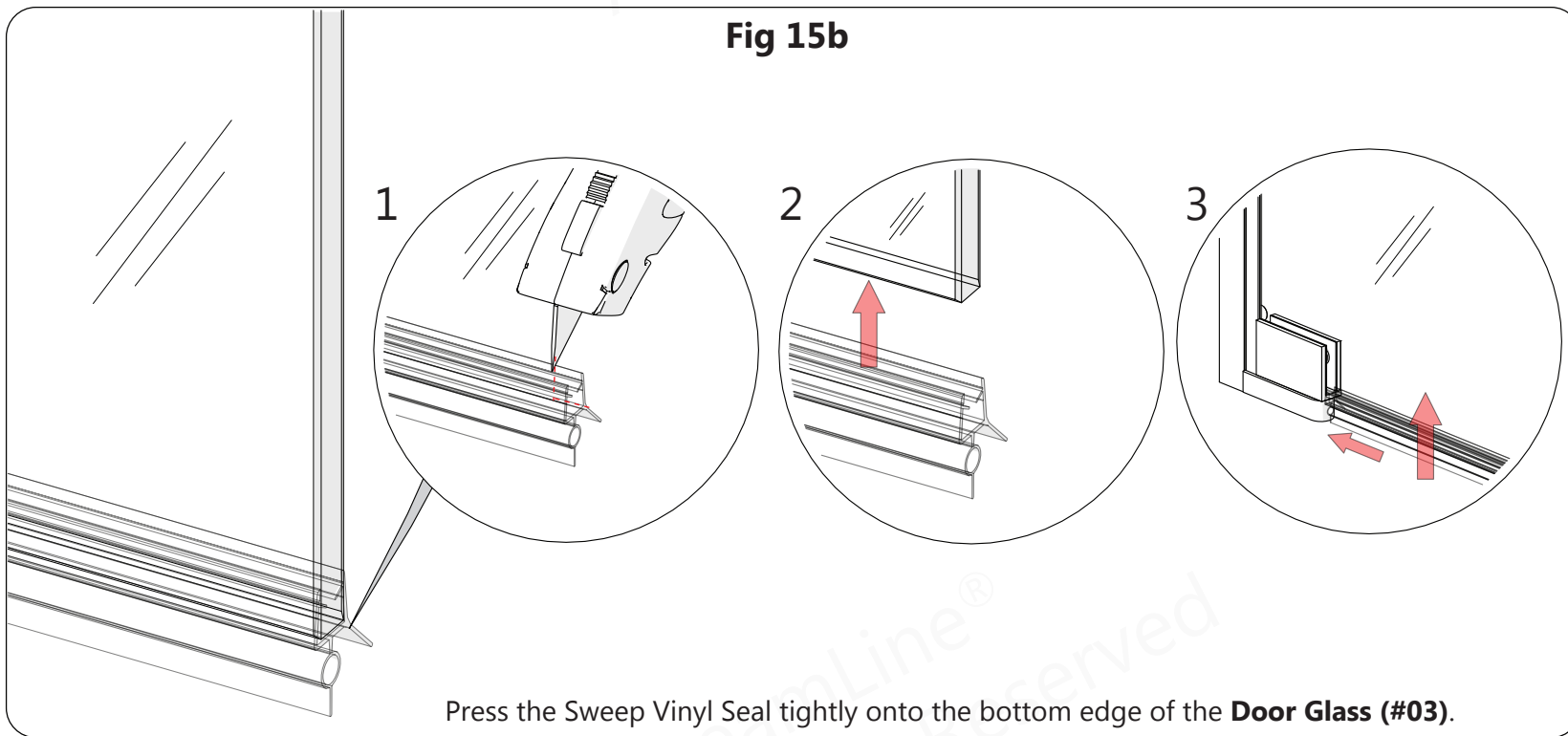


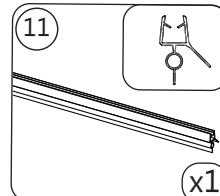
Fig 15b

Press the Sweep Vinyl Seal tightly onto the bottom edge of the **Door Glass (#03)**.

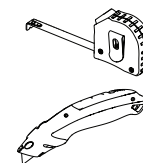


Optional: Close the door and notch off the deflector on the inner-side of the **Sweep Vinyl Seal (#11)** where it overlaps the **Strike Vinyl Seal (#15)** when the door is in the closed position. (Fig 15b.1)

**Parts Needed**



**Tools Needed**



16

NOTE

The surfaces need to be clean and free of debris before applying silicone.

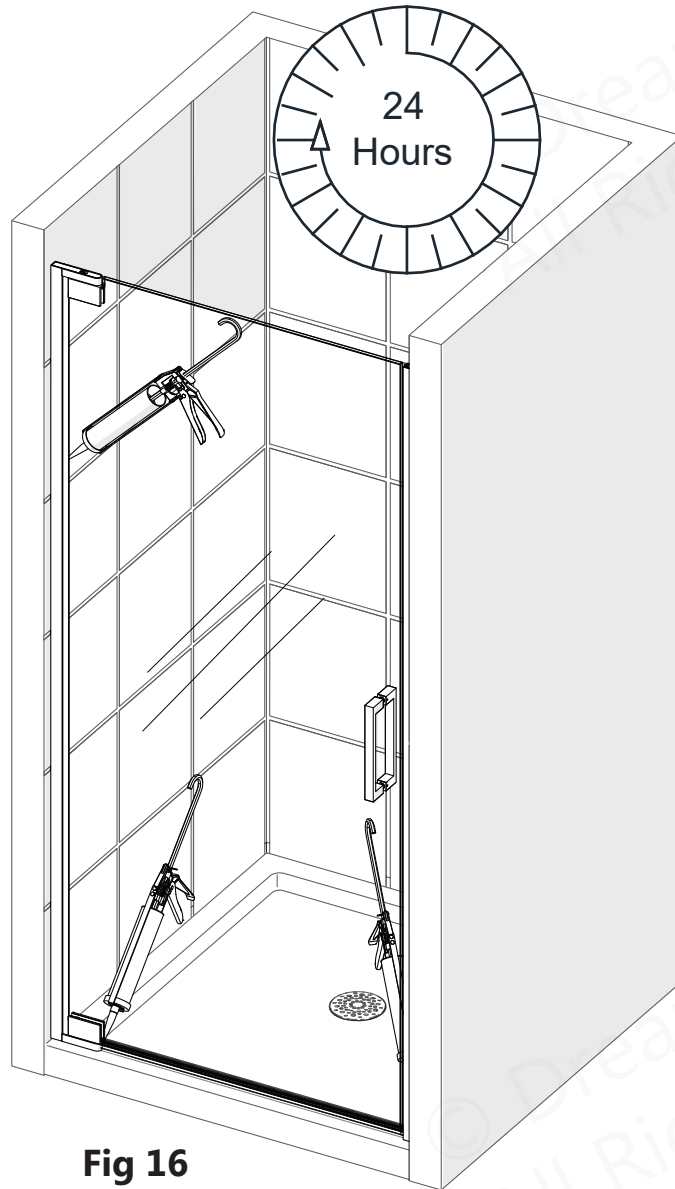


Fig 16



**This completes the single door installation.**

**For the installation of a model that includes inline panel glass:**

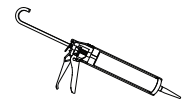
-Complete the installation steps using the manual that is packaged with the inline panel glass.

**Note** that the strike side Glass Profile (#05) and Wall Profile (#07) will not be used with the inline panel installation.

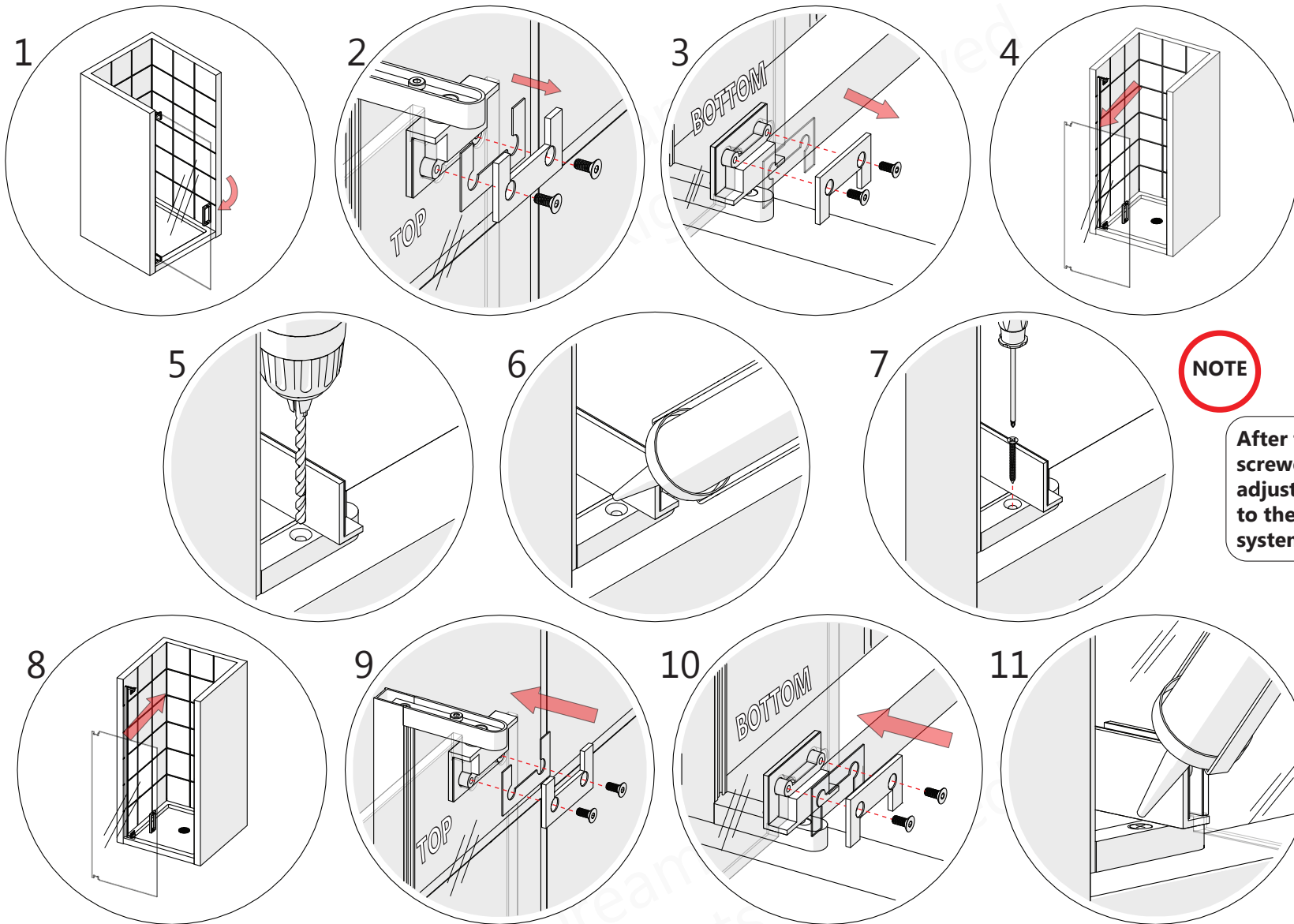


Allow 24 hours for the silicone caulk to cure before using the shower.

Tools Needed



# Securing the Bottom Pivot Assembly To The Threshold



**NOTE**

After the bottom pivot is screwed to the threshold, adjustment will be limited to the strike side wall profile system.

**NOTE**

▪ For installation into an **Acrylic Threshold:**  
 drill a  $\text{Ø}1/8''$  (3mm) hole and use the **ST4.2×40mm Countersunk Screw (#01.9 / 02.9)**  
**OR**  
 ▪ For installation into a **Tile Threshold:**  
 drill a  $\text{Ø}3/16''$  (4mm) hole up to the stud, drill an  $\text{Ø}1/8''$  (3mm) pilot hole and use the **ST4.2×40mm Countersunk Screw (#01.9 / 02.9).**

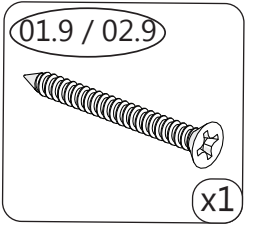
**!**

Use a longer drill bit to drill through the hole in the Pivot Assembly. see Fig 5

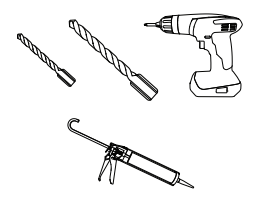
**NOTE**

Use caution not to scratch the hinge surface.

### Parts Needed



### Tools Needed



## Product Maintenance

**BASES and BACKWALLS:** To ensure long lasting life for your acrylic back walls: wipe them off after each use with a soft cloth. To clean the acrylic back walls use non-abrasive sprays or cream based cleaners. Avoid the use of aerosol spray cleaners. Never use abrasive cleansers, metal brushes or scrapers that could permanently scratch or dull the surface.

**GLASS:** To ensure long lasting life for your glass shower products: wipe them off after each use with a soft cloth. Rinse and wipe off the glass using either a soft cloth or a squeegee to prevent soap buildup and water spots (Hard water can etch the surface of the glass over time if left to dry). To prevent scratching the surface: never use abrasive cleaners or cleaning products that contain scouring agents. Never use bristle brushes or abrasive sponges that may scratch the surface of the glass.

**HARDWARE:** To ensure a long lasting finish: wipe off all metal parts after each use with a soft cloth. Do not use abrasive cleaners or cleaning products containing ammonia, bleach or acid. If accidentally used, rinse the surface as soon as possible to prevent damage to the finish (peeling or corrosion). After cleaning the polished finishes, rinse thoroughly and wipe dry with a soft clean-cloth.

Clean stainless steel surfaces at least once a week. When applying stainless steel cleaner or polish to stainless steel hardware, work with the grain (not across the grain). Never use an abrasive sponge or cloth, steel wool or wired brush as these may permanently scratch the surfaces.



**To maximize the life of your door, it is important to regularly inspect the glass and other hardware for misalignment, proper attachment, and/or damage. Contact DreamLine® with any questions or concerns.**

### **ELEGANCE PLUS Maintenance Checklist**

- Wall and Glass Profiles** are plumb and tight to the wall
  - Decorative Covers** and **ST4.0×10mm Pan Head Screws** are securing both profiles together
- Pivot Assembly bolts** are tightly securing the **Door Glass** in the pivot hinges.
- Handle** is tightly secured to the **Door Glass**
  - Handle set screws** are tight
- Bottom Sweep Vinyl** is secured to the bottom of the **Door Glass**
- Remove the vinyl seals to inspect the edges of the Door Glass for concealed damage
  - Damaged glass must be replaced!**
- Replace damaged or missing vinyl seals
- Inspect and replace silicone as necessary to prevent water leakage

# Troubleshooting

Problem/Symptom	Suggested Solution
Missing Parts	<ul style="list-style-type: none"> <li>• Check all shipping/packaging material for missing parts/components.</li> <li>• If not found, contact DreamLine Customer Support [1-866-731-2244] to order factory part replacement.</li> </ul>
<b>Door Glass (#03)</b> does not close flush with the Strike Profile	<ul style="list-style-type: none"> <li>• Inspect the <b>Bottom Sweep Vinyl (#11)</b> and ensure the orientation of the vinyl is installed correctly. [see Step 15]</li> <li>• Check that the Strike Profile is installed correctly so the Door Glass closes flush with the <b>Strike Vinyl Seal (#15)</b> [see Steps 10-13]</li> <li>• Check that the reveal between the door and strike vinyl is consistent /even. Use a level and adjust the assembly as necessary [see Step 13]</li> </ul>
During operation the shower assembly shifts within the wall profile	<ul style="list-style-type: none"> <li>• Check that the screws connecting the pivot-side Glass Profiles and Wall Profiles are installed correctly attaching the two extrusions together. [see Step 14]</li> <li>• Install all <b>ST4.0×10mm Pan Head Screws (#09)</b> and <b>Decorative Covers (#12)</b> to secure the Glass Profiles to the Wall Profiles [see Step 14]</li> <li>• Open the <b>Door Glass (#03)</b> and observe the bottom <b>Pivot Assembly-B (#02)</b>. It may be necessary to screw the bottom pivot assembly down into the threshold [see Page 26]</li> </ul>
Water Leakage: beneath the bottom <b>Pivot Assembly-B (#02)</b>	<ul style="list-style-type: none"> <li>• Inspect the silicone caulk application; Remove and replace if necessary</li> <li>• Check that the <b>Bottom Sweep Vinyl (#11)</b> makes contact with the <b>Pivot Assembly-B (#02)</b> when the door is in the closed position</li> <li>• Direct the water flow away from the area</li> </ul>
Water Leakage: beneath the <b>Bottom Sweep Vinyl (#11)</b>	<ul style="list-style-type: none"> <li>• Inspect and ensure the threshold is pitched correctly into the shower</li> <li>• Check that the <b>Bottom Sweep Vinyl (#11)</b> is installed correctly onto bottom of the <b>Door Glass (#03)</b> [see Step 15]</li> <li>• Direct the water flow away from the area</li> </ul>
Pivot Assemblies are binding on hinge-side Vinyl Insert	<ul style="list-style-type: none"> <li>• Use a utility razor knife to notch out the hinge-side Vinyl Insert around the pivots.</li> </ul>



Prior to contacting DreamLine® Customer Service, please have the following information readily available:

- Purchase Order Information
  - Name, PO Number, Dealer/Vendor Name, etc.
- SKU/Model Number (see Pages 29-35)
- Factory Part Information (see Pages 29-35)

# Factory Parts Information

## Single Door Model

34"×72" ELEGANCE PLUS - SHDR-443400-##		FACTORY PARTS INFORMATION	
ITEM #	FACTORY PART NUMBER	ITEM DESCRIPTION	QTY
01	0702 <b>1</b> 222 / 0702 <b>4</b> 222 / 0702 <b>6</b> 222 / 0702 <b>9</b> 222	Pivot Assembly-A	1 pc
02	0702 <b>1</b> 223 / 0702 <b>4</b> 223 / 0702 <b>6</b> 223 / 0702 <b>9</b> 223	Pivot Assembly-B	1 pc
01.9 / 02.9	092108	ST4.2 x 40mm Countersunk Screw	1 pc
01.10 / 02.10	095202	M6×12 Hex Socket Head Cap Screw	1 pc
01.11 / 02.11	094201	M6×12 Countersunk Hex Head Screw	1 pc
03	01007008	Door Glass	1 pc
04	042430 <b>1</b> 1-1794 / 042430 <b>4</b> 1-1794 / 042430 <b>6</b> 1-1794 / 042430 <b>9</b> 1-1794	Glass Profile (for Pivot Side)	1 pc
05	042430 <b>1</b> 1-1828 / 042430 <b>4</b> 1-1828 / 042430 <b>6</b> 1-1828 / 042430 <b>9</b> 1-1828	Glass profile (for Strike side)	1 pc
06	0722 <b>1</b> 042 / 0722 <b>4</b> 042 / 0722 <b>6</b> 042 / 0722 <b>9</b> 042	Back-to-Back 8 in. Square Handle Assembly for 10mm (3/8 in) Glass	1 pc
07	042440 <b>1</b> 1-1828 / 042440 <b>4</b> 1-1828 / 042440 <b>6</b> 1-1828 / 042440 <b>9</b> 1-1828	Wall Profile	2 pc
08	090107	ST4.0 x 40mm Pan Head Screw	8 pcs
09	091101	ST4.0 x 10mm Pan Head Screw	6 pcs
10	07550045	Wall Anchor 8mm (5/16 in)	4 pcs
11	063015100-0718	Bottom Sweep Vinyl for 10mm (3/8 in) Glass	1 pc
12	0755 <b>1</b> 011 / 0755 <b>4</b> 011 / 0755 <b>6</b> 011 / 0755 <b>9</b> 011	Decorative Cover and Washer	6 pcs
13	094201	M6 x 12 Countersunk Hex Head Screw	1 pc
14	063067000-1794	Vinyl insert (rigid) for glass profile (pivot side)	1 pc
15	063067000-1828	Vinyl insert (rigid) for glass profile (strike side)	1 pc

**BOLD** digit indicates finish color:

- 1** = Chrome
- 4** = Brushed Nickel
- 6** = Oil Rubbed Bronze
- 9** = Satin Black

Contact [Support@DreamLine.com](mailto:Support@DreamLine.com) for Part replacement, installation assistance or additional information.

Complete **Warranty** information is available on [DreamLine.com](http://DreamLine.com).

# Factory Parts Information

## Door with 6" Inline Panel

30" x 72" ELEGANCE PLUS - SHDR-443060-##		FACTORY PARTS INFORMATION	
ITEM #	FACTORY PART NUMBER	ITEM DESCRIPTION	QTY
01	0702 <b>1</b> 222 / 0702 <b>4</b> 222 / 0702 <b>6</b> 222 / 0702 <b>9</b> 222	Pivot Assembly-A	1 pc
02	0702 <b>1</b> 223 / 0702 <b>4</b> 223 / 0702 <b>6</b> 223 / 0702 <b>9</b> 223	Pivot Assembly-B	1 pc
01.9 / 02.9	092108	ST4.2 x 40mm Countersunk Screw	1 pc
01.10 / 02.10	095202	M6 x 12 Hex Socket Head Cap Screw	1 pc
01.11 / 02.11	094201	M6 x 12 Countersunk Hex Head Screw	1 pc
03	010071003	Door Glass	1 pc
04	042430 <b>1</b> 1-1794 / 042430 <b>4</b> 1-1794 / 042430 <b>6</b> 1-1794 / 042430 <b>9</b> 1-1794	Glass Profile (for Pivot Side)	1 pc
05	063010100-1829	180 Degree Inline Strike Vinyl for 10mm (3/8 in) Glass	1 pc
06	0722 <b>1</b> 042 / 0722 <b>4</b> 042 / 0722 <b>6</b> 042 / 0722 <b>9</b> 042	Back-to-Back 8 in. Square Handle Assembly for 10mm (3/8 in) Glass	1 pc
07	042440 <b>1</b> 1-1828 / 042440 <b>4</b> 1-1828 / 042440 <b>6</b> 1-1828 / 042440 <b>9</b> 1-1828	Wall Profile	1 pc
09	041540 <b>1</b> 1-1930 / 041540 <b>4</b> 1-1930 / 041540 <b>6</b> 1-1930 / 041540 <b>9</b> 1-1930	U-Channel 1" Aluminum for 10mm (3/8 in) Glass x 1930mm (76")	1 pc
10	063015100-0540	Bottom Sweep Vinyl for 10mm (3/8 in) Glass	1 pc
11	010137095	Inline Panel Glass	1 pc
12	0755 <b>1</b> 011 / 0755 <b>4</b> 011 / 0755 <b>6</b> 011 / 0755 <b>9</b> 011	Decorative Cover and Washer	3 pcs
13	07552148	Wall Anchor 8mm (5/16 in)	7 pcs
14	063067000-1794	Vinyl insert (rigid) for glass profile (pivot side)	1 pc
16	094201	M6 x 12 Countersunk Hex Head Screw	1 pc
17	091107	ST4.0 x 40mm Pan Head Screw	5 pcs
19	091101	ST4.0 x 10mm Pan Head Screw	3 pcs
23	092108	ST4.2 x 40mm Countersunk Screw	7 pcs
29	041540 <b>1</b> 1-1118 / 041540 <b>4</b> 1-1118 / 041540 <b>6</b> 1-1118 / 041540 <b>9</b> 1-1118	U-Channel 1" Aluminum for 10mm (3/8 in) Glass x 1118mm (44")	1 pc

**BOLD** digit indicates finish color:

- 1** = Chrome
- 4** = Brushed Nickel
- 6** = Oil Rubbed Bronze
- 9** = Satin Black

Contact [Support@DreamLine.com](mailto:Support@DreamLine.com) for Part replacement, installation assistance or additional information.

Complete **Warranty** information is available on [DreamLine.com](http://DreamLine.com).



# Factory Parts Information

## Door with 6-1/2" Inline Panel

34"×72" ELEGANCE PLUS - SHDR-443465-##		FACTORY PARTS INFORMATION	
ITEM #	FACTORY PART NUMBER	ITEM DESCRIPTION	QTY
01	0702 <b>1</b> 222 / 0702 <b>4</b> 222 / 0702 <b>6</b> 222 / 0702 <b>9</b> 222	Pivot Assembly-A	1pc
02	0702 <b>1</b> 223 / 0702 <b>4</b> 223 / 0702 <b>6</b> 223 / 0702 <b>9</b> 223	Pivot Assembly-B	1 pc
01.9 / 02.9	092108	ST4.2 x 40mm Countersunk Screw	1 pc
01.10 / 02.10	095202	M6×12 Hex Socket Head Cap Screw	1 pc
01.11 / 02.11	094201	M6×12 Countersunk Hex Head Screw	1 pc
03	010071005	Door Glass	1 pc
04	042430 <b>1</b> 1-1794 / 042430 <b>4</b> 1-1794 / 042430 <b>6</b> 1-1794 / 042430 <b>9</b> 1-1794	Glass Profile (for Pivot Side)	1 pc
05	063010100-1829	180 Degree Inline Strike Vinyl for 10mm (3/8 in) Glass	1 pc
06	0722 <b>1</b> 042 / 0722 <b>4</b> 042 / 0722 <b>6</b> 042 / 0722 <b>9</b> 042	Back-to-Back 8 in. Square Handle Assembly for 10mm (3/8 in) Glass	1 pc
07	042440 <b>1</b> 1-1828 / 042440 <b>4</b> 1-1828 / 042440 <b>6</b> 1-1828 / 042440 <b>9</b> 1-1828	Wall Profile	1 pc
09	041540 <b>1</b> 1-1930 / 041540 <b>4</b> 1-1930 / 041540 <b>6</b> 1-1930 / 041540 <b>9</b> 1-1930	U-Channel 1" Aluminum for 10mm (3/8 in) Glass x 1930mm (76")	1 pc
10	063015100-0584	Bottom Sweep Vinyl for 10mm (3/8 in) Glass	1 pc
11	010137117	Inline Panel Glass	1 pc
12	0755 <b>1</b> 011 / 0755 <b>4</b> 011 / 0755 <b>6</b> 011 / 0755 <b>9</b> 011	Decorative Cover and Washer	3 pcs
13	07552148	Wall Anchor 8mm (5/16 in)	7 pcs
14	063067000-1794	Vinyl insert (rigid) for glass profile (pivot side)	1 pc
16	094201	M6 x 12 Countersunk Hex Head Screw	1 pc
17	091107	ST4.0 x 40mm Pan Head Screw	5 pcs
19	091101	ST4.0 x 10mm Pan Head Screw	3 pcs
23	092108	ST4.2 x 40mm Countersunk Screw	7 pcs
29	041540 <b>1</b> 1-1118 / 041540 <b>4</b> 1-1118 / 041540 <b>6</b> 1-1118 / 041540 <b>9</b> 1-1118	U-Channel 1" Aluminum for 10mm (3/8 in) Glass x 1118mm (44")	1 pc

**BOLD** digit indicates finish color:

- 1** = Chrome
- 4** = Brushed Nickel
- 6** = Oil Rubbed Bronze
- 9** = Satin Black

Contact [Support@DreamLine.com](mailto:Support@DreamLine.com) for Part replacement, installation assistance or additional information.

Complete **Warranty** information is available on [DreamLine.com](http://DreamLine.com).

# Factory Parts Information

## Door with 14" Inline Panel

39-3/4" x 72" ELEGANCE PLUS - SHDR-444014-##		FACTORY PARTS INFORMATION	
ITEM #	FACTORY PART NUMBER	ITEM DESCRIPTION	QTY
01	0702 <b>1</b> 222 / 0702 <b>4</b> 222 / 0702 <b>6</b> 222 / 0702 <b>9</b> 222	Pivot Assembly-A	1 pc
02	0702 <b>1</b> 223 / 0702 <b>4</b> 223 / 0702 <b>6</b> 223 / 0702 <b>9</b> 223	Pivot Assembly-B	1 pc
01.9 / 02.9	092108	ST4.2 x 40mm Countersunk Screw	1 pc
01.10 / 02.10	095202	M6 x 12 Hex Socket Head Cap Screw	1 pc
01.11 / 02.11	094201	M6 x 12 Countersunk Hex Head Screw	1 pc
03	010071004	Door Glass	1 pc
04	042430 <b>11</b> -1794 / 042430 <b>41</b> -1794 / 042430 <b>61</b> -1794 / 042430 <b>91</b> -1794	Glass Profile (for Pivot Side)	1 pc
05	063010100-1829	180 Degree Inline Strike Vinyl for 10mm (3/8 in) Glass	1 pc
06	0722 <b>1</b> 042 / 0722 <b>4</b> 042 / 0722 <b>6</b> 042 / 0722 <b>9</b> 042	Back-to-Back 8 in. Square Handle Assembly for 10mm (3/8 in) Glass	1 pc
07	042440 <b>11</b> -1828 / 042440 <b>41</b> -1828 / 042440 <b>61</b> -1828 / 042440 <b>91</b> -1828	Wall Profile	1 pc
09	041540 <b>11</b> -1930 / 041540 <b>41</b> -1930 / 041540 <b>61</b> -1930 / 041540 <b>91</b> -1930	U-Channel 1" Aluminum for 10mm (3/8 in) Glass x 1930mm (76")	1 pc
10	063015100-0540	Bottom Sweep Vinyl for 10mm (3/8 in) Glass	1 pc
11	010137099	Inline Panel Glass	1 pc
12	0755 <b>1</b> 011 / 0755 <b>4</b> 011 / 0755 <b>6</b> 011 / 0755 <b>9</b> 011	Decorative Cover and Washer	3 pcs
13	07552148	Wall Anchor 8mm (5/16 in)	7 pcs
14	063067000-1794	Vinyl insert (rigid) for glass profile (pivot side)	1 pc
16	094201	M6 x 12 Countersunk Hex Head Screw	1 pc
17	091107	ST4.0 x 40mm Pan Head Screw	5 pcs
19	091101	ST4.0 x 10mm Pan Head Screw	3 pcs
23	092108	ST4.2 x 40mm Countersunk Screw	8 pcs
29	041540 <b>11</b> -1118 / 041540 <b>41</b> -1118 / 041540 <b>61</b> -1118 / 041540 <b>91</b> -1118	U-Channel 1" Aluminum for 10mm (3/8 in) Glass x 1118mm (44")	1 pc

**BOLD** digit indicates finish color:

- 1** = Chrome
- 4** = Brushed Nickel
- 6** = Oil Rubbed Bronze
- 9** = Satin Black

Contact [Support@DreamLine.com](mailto:Support@DreamLine.com) for Part replacement, installation assistance or additional information.

Complete **Warranty** information is available on [DreamLine.com](http://DreamLine.com).

# Factory Parts Information

## Door with 22" Inline Panel & 12" L-Bar™

46"×72" ELEGANCE PLUS - SHDR-444622-##		FACTORY PARTS INFORMATION	
ITEM #	FACTORY PART NUMBER	ITEM DESCRIPTION	QTY
01	0702 <b>1</b> 222 / 0702 <b>4</b> 222 / 0702 <b>6</b> 222 / 0702 <b>9</b> 222	Pivot Assembly-A	1 pc
02	0702 <b>1</b> 223 / 0702 <b>4</b> 223 / 0702 <b>6</b> 223 / 0702 <b>9</b> 223	Pivot Assembly-B	1 pc
01.9 / 02.9	092108	ST4.2 x 40mm Countersunk Screw	1 pc
01.10 / 02.10	095202	M6×12 Hex Socket Head Cap Screw	1 pc
01.11 / 02.11	094201	M6×12 Countersunk Hex Head Screw	1 pc
03	010071003	Door Glass	1 pc
04	042430 <b>1</b> 1-1794 / 042430 <b>4</b> 1-1794 / 042430 <b>6</b> 1-1794 / 042430 <b>9</b> 1-1794	Glass Profile (for Pivot Side)	1 pc
05	063010100-1829	180 Degree Inline Strike Vinyl for 10mm (3/8 in) Glass	1 pc
06	0722 <b>1</b> 042 / 0722 <b>4</b> 042 / 0722 <b>6</b> 042 / 0722 <b>9</b> 042	Back-to-Back 8 in. Square Handle Assembly for 10mm (3/8 in) Glass	1 pc
07	042440 <b>1</b> 1-1828 / 042440 <b>4</b> 1-1828 / 042440 <b>6</b> 1-1828 / 042440 <b>9</b> 1-1828	Wall Profile	1 pc
09	041540 <b>1</b> 1-1930 / 041540 <b>4</b> 1-1930 / 041540 <b>6</b> 1-1930 / 041540 <b>9</b> 1-1930	U-Channel 1" Aluminum for 10mm (3/8 in) Glass x 1930mm (76")	1 pc
10	063015100-0496	Bottom Sweep Vinyl for 10mm (3/8 in) Glass	1 pc
11	010137103	Inline Panel Glass	1 pc
12	0755 <b>1</b> 011 / 0755 <b>4</b> 011 / 0755 <b>6</b> 011 / 0755 <b>9</b> 011	Decorative Cover and Washer	3 pcs
13	07552148	Wall Anchor 8mm (5/16 in)	7 pcs
14	063067000-1794	Vinyl insert (rigid) for glass profile (pivot side)	1 pc
16	094201	M6 x 12 Countersunk Hex Head Screw	1 pc
17	091107	ST4.0 x 40mm Pan Head Screw	5 pcs
19	091101	ST4.0 x 10mm Pan Head Screw	3 pcs
23	092108	ST4.2 x 40mm Countersunk Screw	9 pcs
29	041540 <b>1</b> 1-1118 / 041540 <b>4</b> 1-1118 / 041540 <b>6</b> 1-1118 / 041540 <b>9</b> 1-1118	U-Channel 1" Aluminum for 10mm (3/8 in) Glass x 1118mm (44")	1 pc
30	0712 <b>1</b> 050 / 0712 <b>4</b> 050 / 0712 <b>6</b> 050 / 0712 <b>9</b> 050	L-Bar Support Bracket Reversible 12in for 10mm (3/8 in) Glass	1 pc

**BOLD** digit indicates finish color:

- 1** = Chrome
- 4** = Brushed Nickel
- 6** = Oil Rubbed Bronze
- 9** = Satin Black

Contact [Support@DreamLine.com](mailto:Support@DreamLine.com) for Part replacement, installation assistance or additional information.

Complete **Warranty** information is available on [DreamLine.com](http://DreamLine.com).

# Factory Parts Information

## Door with 22-1/2" Inline Panel & 12" L-Bar™

51-3/4" x 72" ELEGANCE PLUS - SHDR-4452225-##		FACTORY PARTS INFORMATION	
ITEM #	FACTORY PART NUMBER	ITEM DESCRIPTION	QTY
01	0702 <b>1</b> 222 / 0702 <b>4</b> 222 / 0702 <b>6</b> 222 / 0702 <b>9</b> 222	Pivot Assembly-A	1 pc
02	0702 <b>1</b> 223 / 0702 <b>4</b> 223 / 0702 <b>6</b> 223 / 0702 <b>9</b> 223	Pivot Assembly-B	1 pc
01.9 / 02.9	092108	ST4.2 x 40mm Countersunk Screw	1 pc
01.10 / 02.10	095202	M6 x 12 Hex Socket Head Cap Screw	1 pc
01.11 / 02.11	094201	M6 x 12 Countersunk Hex Head Screw	1 pc
03	010071006	Door Glass	1 pc
04	042430 <b>1</b> 1-1794 / 042430 <b>4</b> 1-1794 / 042430 <b>6</b> 1-1794 / 042430 <b>9</b> 1-1794	Glass Profile (for Pivot Side)	1 pc
05	063010100-1829	180 Degree Inline Strike Vinyl for 10mm (3/8 in) Glass	1 pc
06	0722 <b>1</b> 042 / 0722 <b>4</b> 042 / 0722 <b>6</b> 042 / 0722 <b>9</b> 042	Back-to-Back 8 in. Square Handle Assembly for 10mm (3/8 in) Glass	1 pc
07	042440 <b>1</b> 1-1828 / 042440 <b>4</b> 1-1828 / 042440 <b>6</b> 1-1828 / 042440 <b>9</b> 1-1828	Wall Profile	1 pc
09	041540 <b>1</b> 1-1930 / 041540 <b>4</b> 1-1930 / 041540 <b>6</b> 1-1930 / 041540 <b>9</b> 1-1930	U-Channel 1" Aluminum for 10mm (3/8 in) Glass x 1930mm (76")	1 pc
10	063015100-0629	Bottom Sweep Vinyl for 10mm (3/8 in) Glass	1 pc
11	010137121	Inline Panel Glass	1 pc
12	0755 <b>1</b> 011 / 0755 <b>4</b> 011 / 0755 <b>6</b> 011 / 0755 <b>9</b> 011	Decorative Cover and Washer	3 pcs
13	07552148	Wall Anchor 8mm (5/16 in)	7 pcs
14	063067000-1794	Vinyl insert (rigid) for glass profile (pivot side)	1 pc
16	094201	M6 x 12 Countersunk Hex Head Screw	1 pc
17	091107	ST4.0 x 40mm Pan Head Screw	5 pcs
19	091101	ST4.0 x 10mm Pan Head Screw	3 pcs
23	092108	ST4.2 x 40mm Countersunk Screw	9 pcs
29	041540 <b>1</b> 1-1118 / 041540 <b>4</b> 1-1118 / 041540 <b>6</b> 1-1118 / 041540 <b>9</b> 1-1118	U-Channel 1" Aluminum for 10mm (3/8 in) Glass x 1118mm (44")	1 pc
30	0712 <b>1</b> 050 / 0712 <b>4</b> 050 / 0712 <b>6</b> 050 / 0712 <b>9</b> 050	L-Bar Support Bracket Reversible 12in for 10mm (3/8 in) Glass	1 pc

**BOLD** digit indicates finish color:

- 1** = Chrome
- 4** = Brushed Nickel
- 6** = Oil Rubbed Bronze
- 9** = Satin Black

Contact [Support@DreamLine.com](mailto:Support@DreamLine.com) for Part replacement, installation assistance or additional information.

Complete **Warranty** information is available on [DreamLine.com](http://DreamLine.com).

# Factory Parts Information

## Door with 30-1/2" Inline Panel & 18" L-Bar™

58" x 72" ELEGANCE PLUS - SHDR-4458305-##		FACTORY PARTS INFORMATION	
ITEM #	FACTORY PART NUMBER	ITEM DESCRIPTION	QTY
01	0702 <b>1</b> 222 / 0702 <b>4</b> 222 / 0702 <b>6</b> 222 / 0702 <b>9</b> 222	Pivot Assembly-A	1 pc
02	0702 <b>1</b> 223 / 0702 <b>4</b> 223 / 0702 <b>6</b> 223 / 0702 <b>9</b> 223	Pivot Assembly-B	1 pc
01.9 / 02.9	092108	ST4.2 x 40mm Countersunk Screw	1 pc
01.10 / 02.10	095202	M6 x 12 Hex Socket Head Cap Screw	1 pc
01.11 / 02.11	094201	M6 x 12 Countersunk Hex Head Screw	1 pc
03	010071005	Door Glass	1 pc
04	042430 <b>1</b> 1-1794 / 042430 <b>4</b> 1-1794 / 042430 <b>6</b> 1-1794 / 042430 <b>9</b> 1-1794	Glass Profile (for Pivot Side)	1 pc
05	063010100-1829	180 Degree Inline Strike Vinyl for 10mm (3/8 in) Glass	1 pc
06	0722 <b>1</b> 042 / 0722 <b>4</b> 042 / 0722 <b>6</b> 042 / 0722 <b>9</b> 042	Back-to-Back 8 in. Square Handle Assembly for 10mm (3/8 in) Glass	1 pc
07	042440 <b>1</b> 1-1828 / 042440 <b>4</b> 1-1828 / 042440 <b>6</b> 1-1828 / 042440 <b>9</b> 1-1828	Wall Profile	1 pc
09	041540 <b>1</b> 1-1930 / 041540 <b>4</b> 1-1930 / 041540 <b>6</b> 1-1930 / 041540 <b>9</b> 1-1930	U-Channel 1" Aluminum for 10mm (3/8 in) Glass x 1930mm (76")	1 pc
10	063015100-0584	Bottom Sweep Vinyl for 10mm (3/8 in) Glass	1 pc
11	010137123	Inline Panel Glass	1 pc
12	0755 <b>1</b> 011 / 0755 <b>4</b> 011 / 0755 <b>6</b> 011 / 0755 <b>9</b> 011	Decorative Cover and Washer	3 pcs
13	07552148	Wall Anchor 8mm (5/16 in)	7 pcs
14	063067000-1794	Vinyl insert (rigid) for glass profile (pivot side)	1 pc
16	094201	M6 x 12 Countersunk Hex Head Screw	1 pc
17	091107	ST4.0 x 40mm Pan Head Screw	5 pcs
19	091101	ST4.0 x 10mm Pan Head Screw	3 pcs
23	092108	ST4.2 x 40mm Countersunk Screw	11 pcs
29	041540 <b>1</b> 1-1118 / 041540 <b>4</b> 1-1118 / 041540 <b>6</b> 1-1118 / 041540 <b>9</b> 1-1118	U-Channel 1" Aluminum for 10mm (3/8 in) Glass x 1118mm (44")	1 pc
30	0712 <b>1</b> 150 / 0712 <b>4</b> 150 / 0712 <b>6</b> 150 / 0712 <b>9</b> 150	L-Bar Support Bracket Reversible 18in for 10mm (3/8 in) Glass	1 pc

**BOLD** digit indicates finish color:

- 1** = Chrome
- 4** = Brushed Nickel
- 6** = Oil Rubbed Bronze
- 9** = Satin Black

Contact [Support@DreamLine.com](mailto:Support@DreamLine.com) for Part replacement, installation assistance or additional information.

Complete **Warranty** information is available on [DreamLine.com](http://DreamLine.com).



TEL: 866-731-2244  
FAX: 866-857-3638  
DREAMLINE.COM



For more information on DreamLine® Shower Doors and Enclosures please visit **DreamLine.com**