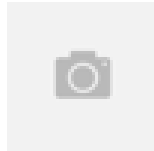


Sink - Series-*various*

Screen insert - *taupe*

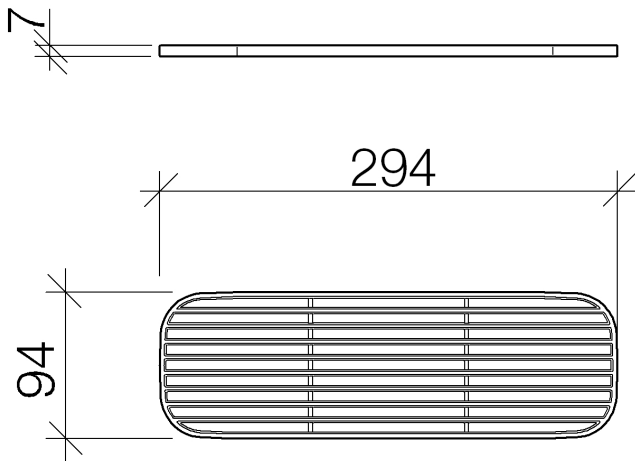
Article number: 82 482 970-53

- Screen inserts of high-quality plastic
- Inserts made out of plastic
- NOTE: The screen inserts must be ordered separately.



taupe

### Dimensional drawing



All dimensions in mm / inch = mm x 0,0394



Sink - Series–various

Screen insert - taupe

Article number: 82 482 970-53

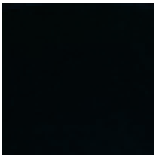


Sink - Series—various

Screen insert - taupe

Article number: 82 482 970-53

### Other surface finishes



black matte

82 482 970-33



cream white

82 482 970-51



light gray

82 482 970-52

More custom finish options are available via special production (xTra Service). Please see our finish matrix for availability and pricing or contact a Dornbracht representative.