



WC - META

Tissue holder without cover - Brushed Chrome

Article number: 83 500 979-93

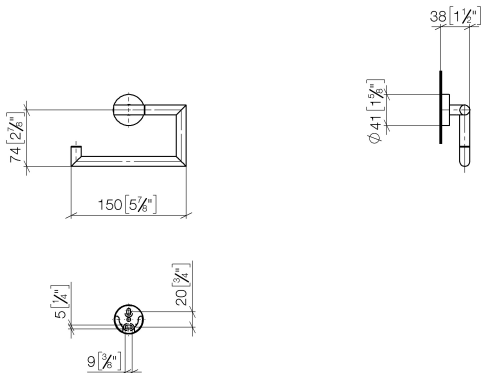
- Width 5-7/8"
- Height 3-3/4"
- Flange diameter 1-5/8"
- 1-5/8" Projection



Brushed Chrome

Dimensional drawing

mm [inches]



All dimensions in mm / inch = mm x 0,0394



WC - META

Tissue holder without cover - Brushed Chrome

Article number: 83 500 979-93

Other surface finishes



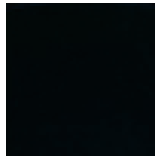
Chrome

83 500 979-00



Brushed Platinum

83 500 979-06

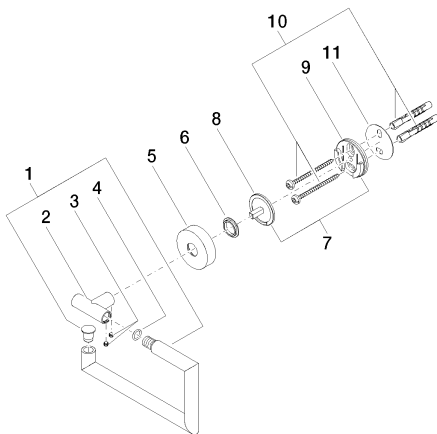


Black matte

83 500 979-33

More custom finish options are available via special production (xTra Service). See our finish matrix for availability and pricing or contact a Dornbracht representative. Some series may be excluded and some finishes may not be available in all series.

Spare parts list



Number	Item Number	Designation	Number of units
1	90 28 22 626 00-93	holder	1
2	05 17 97 561 01-93	holder	1
3	09 31 11 038 90	pin	2
4	09 14 10 060 90	seal	1
5	08 27 97 500-93	rosette	1
6	08 30 11 516 90	ring	1
7	05 17 97 501 01 90	fixing set	1
8	08 17 97 559 90	holder	1
9	08 17 97 501 07	holder	1
10	05 30 31 025 00 90	fixing set	1
11	05 30 11 519 00 90	disc	1