



Sink - MEM

Wall-mounted three-hole lavatory mixer without drain - polished chrome

Article number: 36 712 782-00 0010



- 7-7/8" Projection
- Rigid spout
- Rectangular aerated stream
- Valve hole diameter 1-5/8"
- Spout hole diameter 1-5/8"
- Individual flanges 2-3/8" x 2-3/8"
- Water flow rate limited to max. 1.2 gpm
- lead-free
- (ADA)

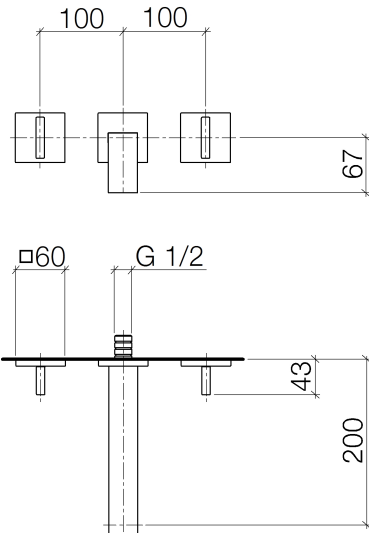


polished chrome



Accessory is required for this item.

Dimensional drawing





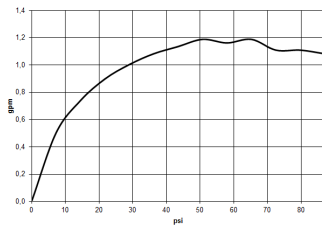
Sink - MEM

Wall-mounted three-hole lavatory mixer without drain - polished chrome

Article number: 36 712 782-00 0010

All dimensions in mm / inch = mm x 0,0394

Flow rate chart





Sink - MEM

Wall-mounted three-hole lavatory mixer without drain - polished chrome

Article number: 36 712 782-00 0010

Other surface finishes



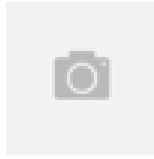
platinum matte

36 712 782-06 0010



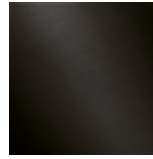
platinum

36 712 782-08 0010



Brushed Durabross

36 712 782-28 0010



Dark Platinum matte

36 712 782-99 0010

More custom finish options are available via special production (xTra Service). Please see our finish matrix for availability and pricing or contact a Dornbracht representative.

Required article



35 707 970-90 0010

Rough for wall-mounted faucet spout in center -



35 712 970-90 0010

Rough for wall-mounted faucet flexible positioning -



35 713 970-90 0010

Rough for wall-mounted faucet spout on left -



35 714 970-90 0010

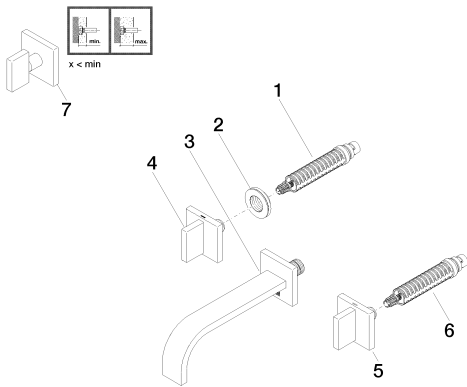
Rough for wall-mounted faucet spout on right -

Sink - MEM

Wall-mounted three-hole lavatory mixer without drain - polished chrome

Article number: 36 712 782-00 0010

Spare parts list



Number	Item Number	Designation	Number of units
1	90 90 03 156 00 90	top	1
2	09 21 02 108 90	disc	2
3	13 800 782-00 0010	Lavatory spout, wall-mounted without drain - polished chrome	1
4	90 20 78 002 07-00	handle (hot)	1
5	90 20 78 002 06-00	handle (cold)	1
6	90 90 03 157 00 90	top	1
7	04 20 78 002 01-00	handle	2