



Shower - Symetrics

xGATE Mixing valve with volume control for wall-mounted installation - polished chrome

Article number: 36 325 980-00

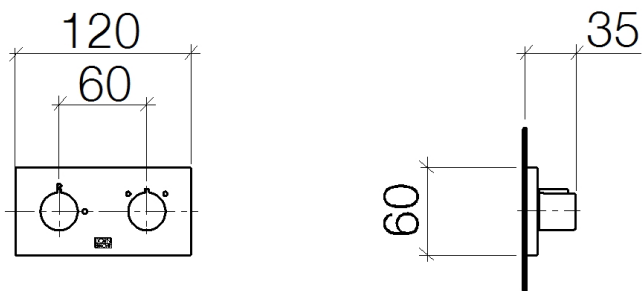
- Cover plate 4-3/4" x 2-3/8"
- Fittings group in compliance with DIN 4109: 2
- NOTE: Important! Due to minimum rough-in requirements, a framing of 2 x 6 studs may be needed.



polished chrome

Accessory is required for this item.

Dimensional drawing



All dimensions in mm / inch = mm x 0,0394

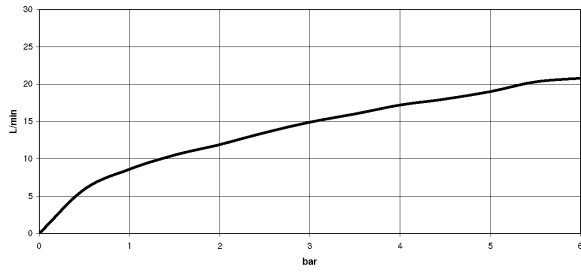


Shower - Symetrics

xGATE Mixing valve with volume control for wall-mounted installation - polished chrome

Article number: 36 325 980-00

Flow rate chart





Shower - Symetrics

xGATE Mixing valve with volume control for wall-mounted installation - polished chrome

Article number: 36 325 980-00

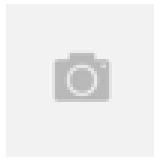
Other surface finishes



platinum matte
36 325 980-06



platinum
36 325 980-08



Brushed Durabross
36 325 980-28

More custom finish options are available via special production (xTra Service). Please see our finish matrix for availability and pricing or contact a Dornbracht representative.

Required article



35 691 970-90 0010

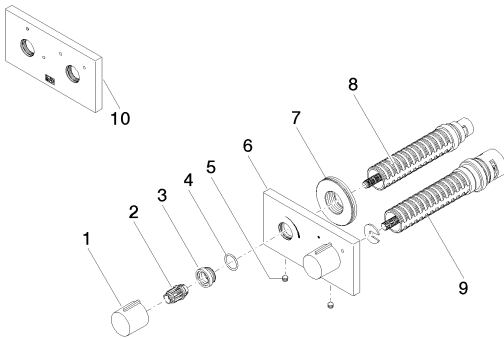
xGATE Rough for wall mounted mixing valve with volume control -

Shower - Symetrics

xGATE Mixing valve with volume control for wall-mounted installation - polished chrome

Article number: 36 325 980-00

Spare parts list



Number	Item Number	Designation	Number of units
1	09 20 98 001-00	handle	2
2	09 12 12 005 90	fixing cap	2
3	09 12 12 043-00	base	2
4	09 14 10 017 90	seal	2
5	04 31 11 112 00 90	pin	2
6	09 27 98 033-00	plate	1
7	09 30 01 107 90	sleeve	1
8	90 90 03 202 00 90	top	1
9	90 90 03 158 00 90	top	1
10	09 27 98 022-00	plate	1