

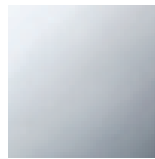


Shower - Symetrics

Wall mounted two-way diverter - polished chrome

Article number: 36 128 980-00

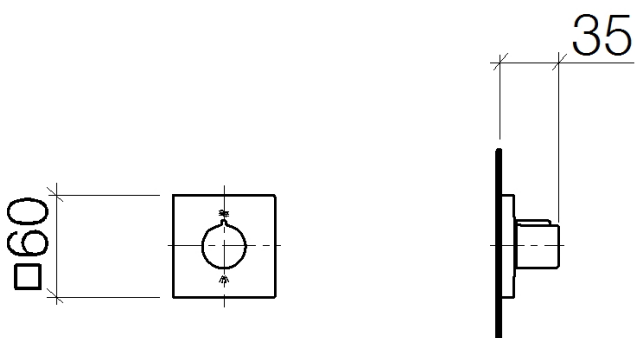
- Manual diverter
- Flange 2-3/8" x 2-3/8"
- Fittings group in compliance with DIN 4109: 2



polished chrome

Accessory is required for this item.

Dimensional drawing

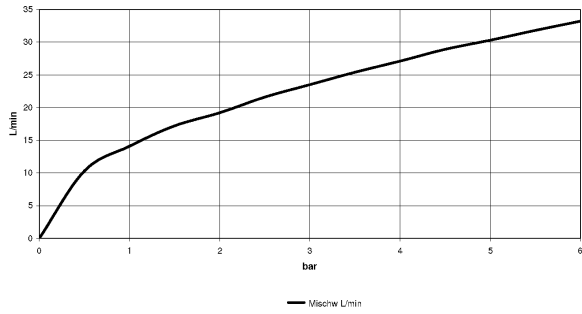


All dimensions in mm / inch = mm x 0,0394



Shower - Symetrics
Wall mounted two-way diverter - polished chrome
Article number: 36 128 980-00

Flow rate chart





Shower - Symetrics

Wall mounted two-way diverter - polished chrome

Article number: 36 128 980-00

Other surface finishes



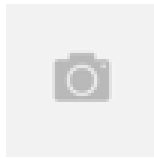
platinum matte

36 128 980-06



platinum

36 128 980-08



Brushed Durabrass

36 128 980-28

More custom finish options are available via special production (xTra Service). Please see our finish matrix for availability and pricing or contact a Dornbracht representative.

Required article

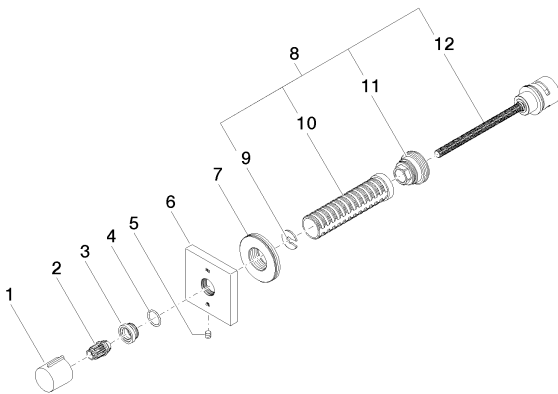


35 128 970-90 0010

Wall mounted two-way
diverter -

Shower - Symetrics
 Wall mounted two-way diverter - polished chrome
 Article number: 36 128 980-00

Spare parts list



Number	Item Number	Designation	Number of units
1	09 20 98 001-00	handle	1
2	09 12 12 005 90	fixing cap	1
3	09 12 12 043-00	base	1
4	09 14 10 017 90	seal	1
5	04 31 11 112 00 90	pin	1
6	09 27 98 021-00	rosette	1
7	09 21 02 151 90	sleeve	1
8	90 90 03 159 00 90	diverter	1