



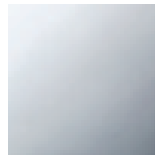
Sink - MEM

Single-lever lavatory mixer without drain - polished chrome

Article number: 33 521 782-00 0010

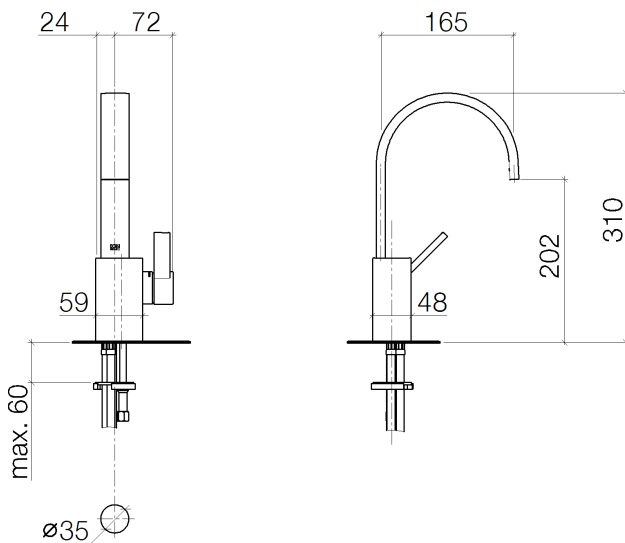


- 6-1/2" Projection
- Rigid spout
- Rectangular aerated stream
- Total height 12-1/4"
- Height to aerator/spout outlet 8"
- 1-3/8" hole diameter
- 2x 3/8" US flexible supply lines
- Water flow rate limited to max. 1.2 gpm
- lead-free
- (ADA)



polished chrome

Dimensional drawing



All dimensions in mm / inch = mm x 0,0394

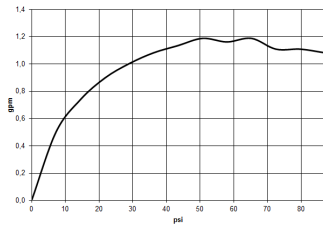


Sink - MEM

Single-lever lavatory mixer without drain - polished chrome

Article number: 33 521 782-00 0010

Flow rate chart





Sink - MEM

Single-lever lavatory mixer without drain - polished chrome

Article number: 33 521 782-00 0010

Other surface finishes



platinum matte
33 521 782-06 0010



platinum
33 521 782-08 0010



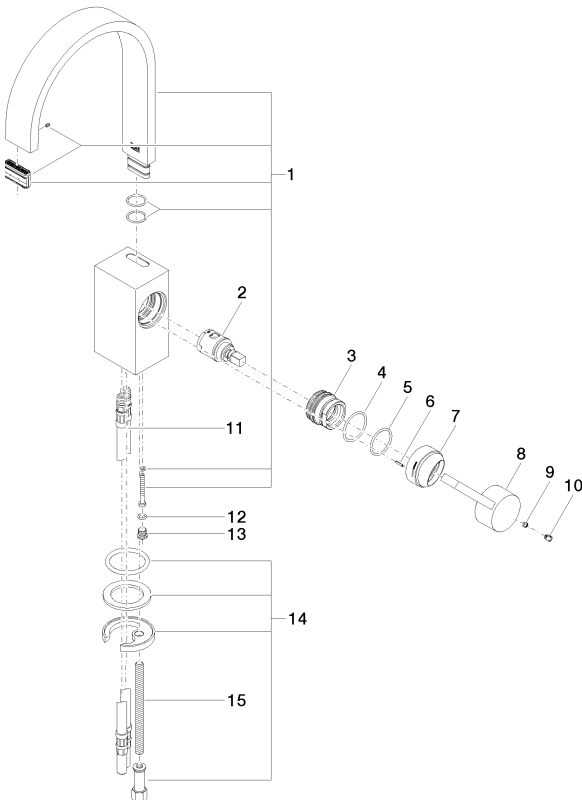
Brushed Durabrass
33 521 782-28 0010



Dark Platinum matte
33 521 782-99 0010

More custom finish options are available via special production (xTra Service). Please see our finish matrix for availability and pricing or contact a Dornbracht representative.

Spare parts list



Number	Item Number	Designation	Number of units
1	90 28 22 153 02-00	spout	1
2	90 15 05 042 00 90	cartridge	1
3	09 24 04 288 90	nut	1
4	09 14 10 137 90	seal	1
5	09 14 10 063 90	seal	1
6	09 31 11 152 90	pin	1
7	09 28 30 028-00	cover	1
8	09 20 78 057-00	handle	1
9	09 31 11 063 90	pin	1
10	09 31 20 017 90	plug	1
11	04 30 04 045 00 90	Flexible supply line 3/8"	2
12	09 14 10 132 90	seal	1
13	09 31 20 027 10-00	plug	1
14	04 30 11 038 75 90	fixing set	1
15	09 31 11 012 90	pin	1