

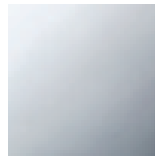


## Shower - CL.1

WATER TUBE Kneipp wall elbow with individual flanges with hose holder - polished chrome

Article number: 27 832 979-00 0010

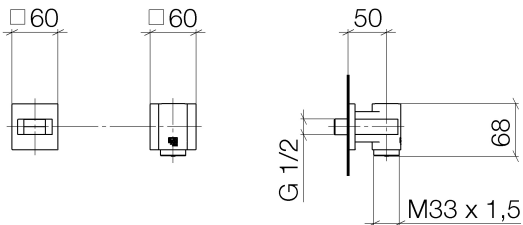
- Laminar stream
- Flange 2-3/8" x 2-3/8"
- Holder for Kneipp hose
- 1/2" wall elbow
- Hose to be ordered separately
- Water flow rate limited to max. 2.5 gpm
- Internal backflow preventer.



polished chrome

Accessory is required for this item.

## Dimensional drawing



All dimensions in mm / inch = mm x 0,0394

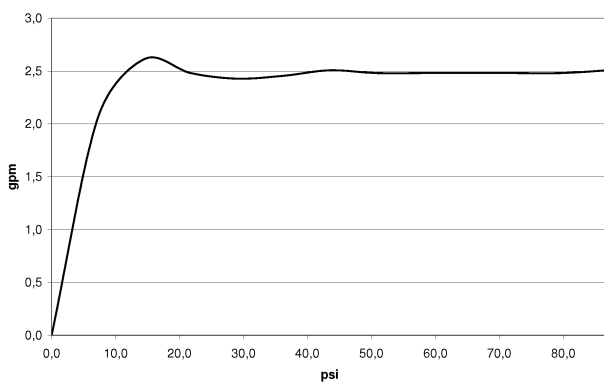


Shower - CL.1

WATER TUBE Kneipp wall elbow with individual flanges with hose holder - polished chrome

Article number: 27 832 979-00 0010

### Flow rate chart





## Shower - CL.1

WATER TUBE Kneipp wall elbow with individual flanges with hose holder - polished chrome

Article number: 27 832 979-00 0010

### Other surface finishes



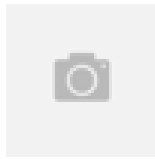
platinum matte

27 832 979-06 0010



platinum

27 832 979-08 0010



Brushed Durabrass

27 832 979-28 0010

More custom finish options are available via special production (xTra Service). Please see our finish matrix for availability and pricing or contact a Dornbracht representative.

### Required article



35 080 970-90 0010

Rough-in adapter -



28 285 979-00

WATER TUBE Kneipp hose  
white 78-3/4" - polished  
chrome



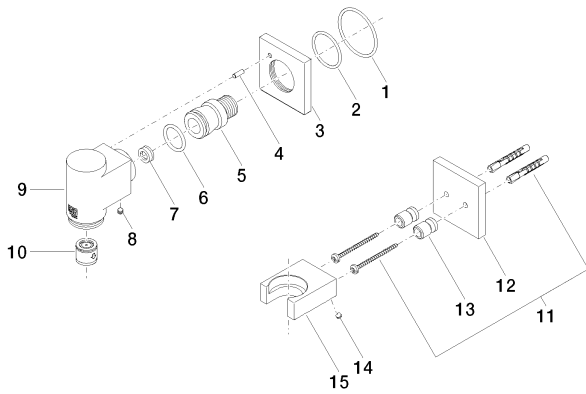
28 286 979-00

WATER TUBE Kneipp hose  
black 78-3/4" - polished  
chrome

Shower - CL.1

WATER TUBE Kneipp wall elbow with individual flanges with hose holder - polished chrome

Article number: 27 832 979-00 0010



Spare parts list

Number	Item Number	Designation	Number of units
1	09 14 10 049 90	seal	1
2	09 14 10 119 90	seal	1
3	09 27 97 021-00	rosette	1
4	09 31 11 040 90	pin	1
5	09 24 03 151 90	nipple	1
6	09 14 10 081 90	seal	1
7	09 23 01 134 90	flow reducer	1
8	04 31 11 112 00 90	pin	1
9	09 11 03 128-00	connection	1
10	09 23 01 045 90	back-flow preventer	1
11	05 17 20 801 00 90	accessories	1
12	09 27 97 022-00	rosette	1
13	08 17 20 726 90	holder	2
14	09 31 11 148 90	pin	2
15	09 17 20 023-00	holder	1