



Bathtub - CL.1

Hand shower set with individual flanges with volume control - polished chrome

Article number: 27 809 985-00 0010



- Diverter with integrated volume control and integrated stops
- Standard spray mode
- Descaling system
- 3/8" Shower outlet
- Flange for wall elbow 2-3/8" x 2-3/8"
- Wall bracket with flange 2-3/8" x 2-3/8"
- Metal shower hose 49-1/4" with anti-twist device
- 1/2" wall elbow
- Water flow rate limited to max. 1.8 gpm
- (ADA)
- Internal backflow preventer.



polished chrome

Accessory is required for this item.

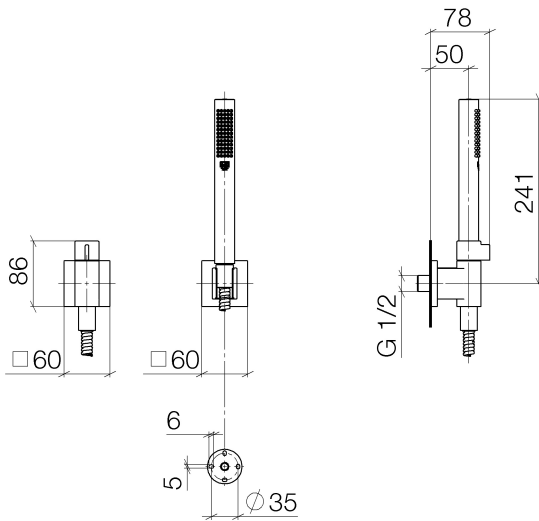


Bathtub - CL.1

Hand shower set with individual flanges with volume control - polished chrome

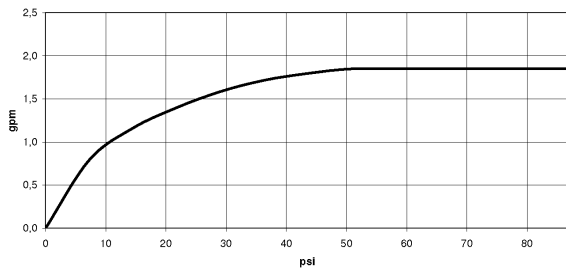
Article number: 27 809 985-00 0010

Dimensional drawing



All dimensions in mm / inch = mm x 0,0394

Flow rate chart





Bathtub - CL.1

Hand shower set with individual flanges with volume control - polished chrome

Article number: 27 809 985-00 0010

Other surface finishes



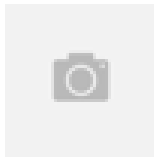
platinum matte

27 809 985-06 0010



platinum

27 809 985-08 0010



Brushed Durabrass

27 809 985-28 0010

More custom finish options are available via special production (xTra Service). Please see our finish matrix for availability and pricing or contact a Dornbracht representative.

Required article



35 080 970-90 0010

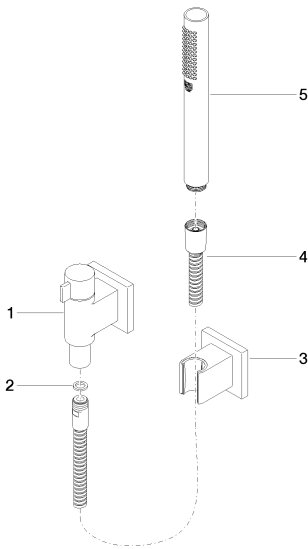
Rough-in adapter -

Bathtub - CL.1

Hand shower set with individual flanges with volume control - polished chrome

Article number: 27 809 985-00 0010

Spare parts list



Number	Item Number	Designation	Number of units
1	28 451 985-00	connection	1
2	09 14 20 026 90	seal	1
3	28 050 980-00	Wall bracket - polished chrome	1
4	09 30 02 072-00	Metal shower hose 1/2" x 3/8" x 49-1/4" - polished chrome	1
5	28 013 979-00 0010	Baton hand shower - polished chrome	1