

Bathtub - VAIA

Hand shower set with individual flanges - polished chrome

Article number: 27 808 809-00 0010



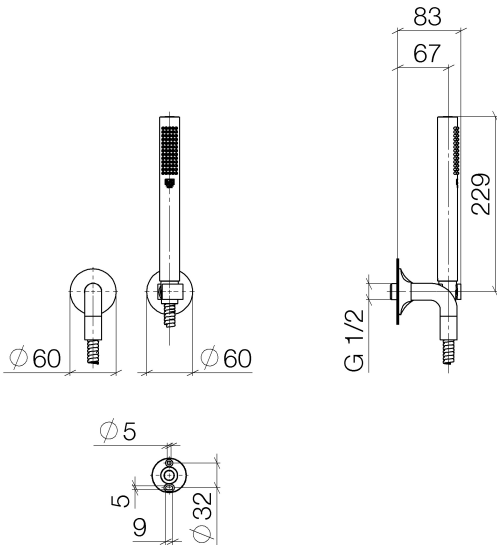
- Standard spray mode
- Descaling system
- 3/8" Shower outlet
- Wall elbow with flange Ø 2-3/8"
- Wall bracket with flange Ø 2-3/8"
- Metal shower hose 49-1/4" with anti-twist device
- 1/2" wall elbow
- Water flow rate limited to max. 1.8 gpm
- Internal backflow preventer.



polished chrome

Accessory is required for this item.

Dimensional drawing

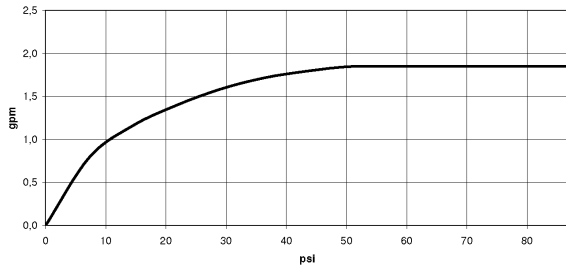




Bathtub - VAIA
Hand shower set with individual flanges - polished chrome
Article number: 27 808 809-00 0010

All dimensions in mm / inch = mm x 0,0394

Flow rate chart



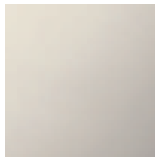


Bathtub - VAIA
Hand shower set with individual flanges - polished chrome
Article number: 27 808 809-00 0010

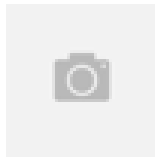
Other surface finishes



platinum matte
27 808 809-06 0010



platinum
27 808 809-08 0010



Brushed Durabrass
27 808 809-28 0010



Dark Platinum matte
27 808 809-99 0010

More custom finish options are available via special production (xTra Service). Please see our finish matrix for availability and pricing or contact a Dornbracht representative.

Required article



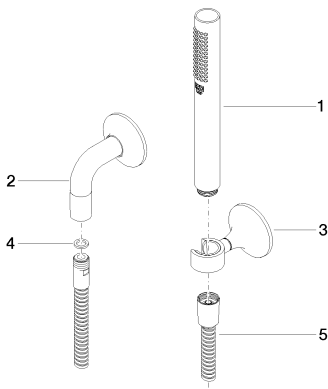
35 080 970-90 0010
Rough-in adapter -

Bathtub - VAIA

Hand shower set with individual flanges - polished chrome

Article number: 27 808 809-00 0010

Spare parts list



Number	Item Number	Designation	Number of units
1	28 013 979-00 0010	Baton hand shower - polished chrome	1
2	28 450 809-00	Wall elbow - polished chrome	1
3	28 050 809-00	Wall bracket - polished chrome	1
4	09 14 20 026 90	seal	1
5	09 30 02 072-00	Metal shower hose 1/2" x 3/8" x 49-1/4" - polished chrome	1