



Sink - Series—various

Affusion pipe - polished chrome

Article number: 27 738 973-00 0010

- 8-5/8" Projection
- Swiveling spout 160°
- Laminar stream
- Total height 3-7/8"
- Height to water exit point 2-1/4"
- 1-3/8" / 1-1/8" hole diameter
- Without flange
- Water flow rate limited to max. 1.8 gpm
- lead-free
- A precise stepped hole is required for installation; this must be drilled prior to installation by the countertop fabricator.
- Installation can be made only in waterproof material.
- The dimensions of the stepped hole can be found at www.dornbracht.com/professional

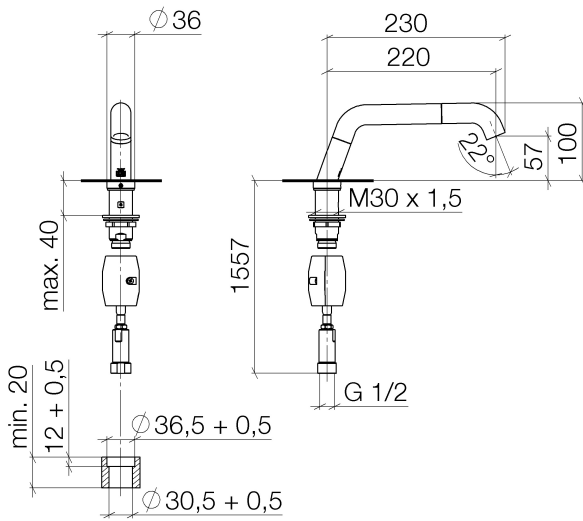


polished chrome



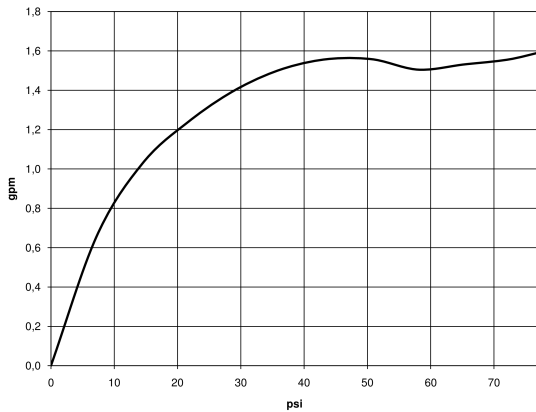
Sink - Series-various
Affusion pipe - polished chrome
Article number: 27 738 973-00 0010

Dimensional drawing



All dimensions in mm / inch = mm x 0,0394

Flow rate chart





Sink - Series-various

Affusion pipe - polished chrome

Article number: 27 738 973-00 0010

Other surface finishes



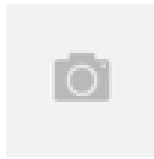
platinum matte

27 738 973-06 0010



platinum

27 738 973-08 0010

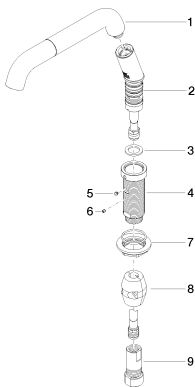


Brushed Durabronz

27 738 973-28 0010

More custom finish options are available via special production (xTra Service). Please see our finish matrix for availability and pricing or contact a Dornbracht representative.

Spare parts list



Number	Item Number	Designation	Number of units
1	90 28 22 264 01-00	spout	1
2	90 28 22 263 00-00	spout	1
3	09 14 15 065 90	seal	1
4	09 30 01 196-00	connection	1
5	09 31 11 063 90	pin	1
7	04 30 11 038 68 90	fixing set	1
8	09 31 11 099 90	pin	2
9	04 24 03 241 00 90	nipple	1