



Sink - Series—various
Affusion pipe - polished chrome
Article number: 27 728 973-00

- 8-5/8" Projection
- Swiveling spout 160°
- Laminar stream
- Total height 3-7/8"
- Height to water exit point 2-1/4"
- 1-3/8" / 1-1/8" hole diameter
- Without flange
- Water flow rate limited to max. 2.5 gpm
- lead-free
- A precise stepped hole is required for installation; this must be drilled prior to installation by the countertop fabricator.
- Installation can be made only in waterproof material.
- The dimensions of the stepped hole can be found at www.dornbracht.com/professional

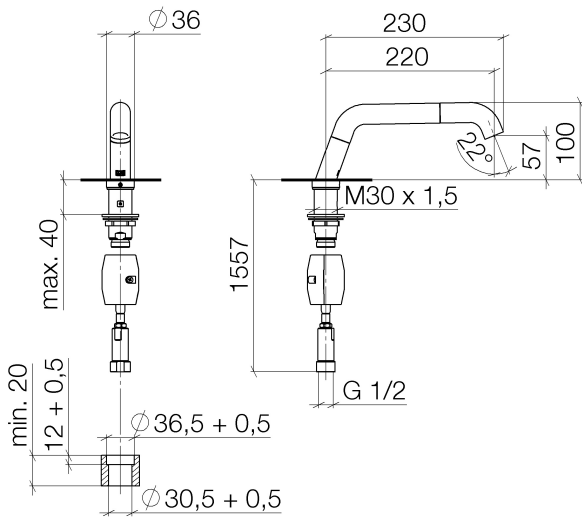


polished chrome



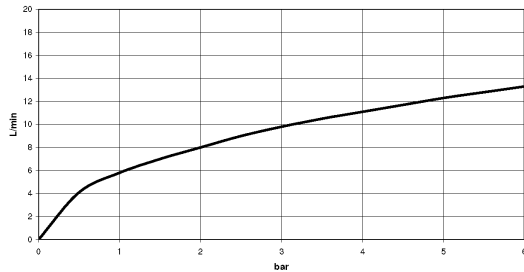
Sink - Series-various
Affusion pipe - polished chrome
Article number: 27 728 973-00

Dimensional drawing



All dimensions in mm / inch = mm x 0,0394

Flow rate chart





Sink - Series-various
Affusion pipe - polished chrome
Article number: 27 728 973-00

Other surface finishes



platinum matte
27 728 973-06



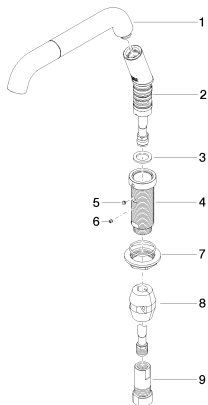
platinum
27 728 973-08



Brushed Durabronz
27 728 973-28

More custom finish options are available via special production (xTra Service). Please see our finish matrix for availability and pricing or contact a Dornbracht representative.

Spare parts list



Number	Item Number	Designation	Number of units
1	90 28 22 264 00-00	spout	1
2	90 28 22 260 00-00	spout	1
3	09 14 15 065 90	seal	1
4	09 30 01 196-00	connection	1
5	09 31 11 063 90	pin	1
6	09 31 11 099 90	pin	1
7	04 30 11 038 68 90	fixing set	1
8	04 21 50 005 00 90	accessories	1
9	04 24 03 241 00 90	nipple	1