



Bidet - Madison
Single-hole bidet mixer with drain - polished chrome
Article number: 24 510 360-00

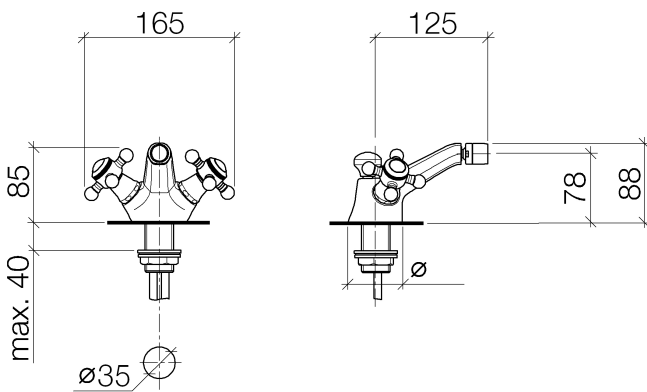
- 4-7/8" Projection
- European drain with overflow
- Ball-joint pivotable through 15°
- Round aerated stream
- Total height 3-1/2"
- Height to aerator/spout outlet 3-1/8"
- 1-3/8" hole diameter
- 2x 10 mm European flexible supply lines
- Water flow rate limited to max. 1.8 gpm



polished chrome

Accessory is required for this item.

Dimensional drawing

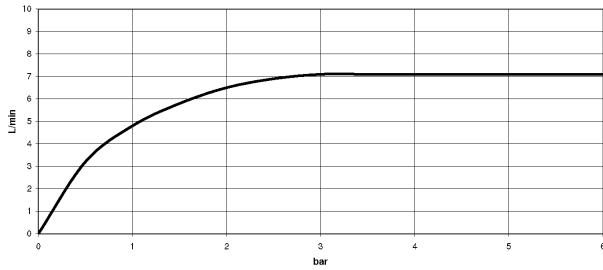




Bidet - Madison
Single-hole bidet mixer with drain - polished chrome
Article number: 24 510 360-00

All dimensions in mm / inch = mm x 0,0394

Flow rate chart





Bidet - Madison
Single-hole bidet mixer with drain - polished chrome
Article number: 24 510 360-00

Other surface finishes



platinum matte
24 510 360-06



platinum
24 510 360-08



Durabrass
24 510 360-09



Brushed Durabrass
24 510 360-28



Dark Platinum matte
24 510 360-99

More custom finish options are available via special production (xTra Service). Please see our finish matrix for availability and pricing or contact a Dornbracht representative.

Required article



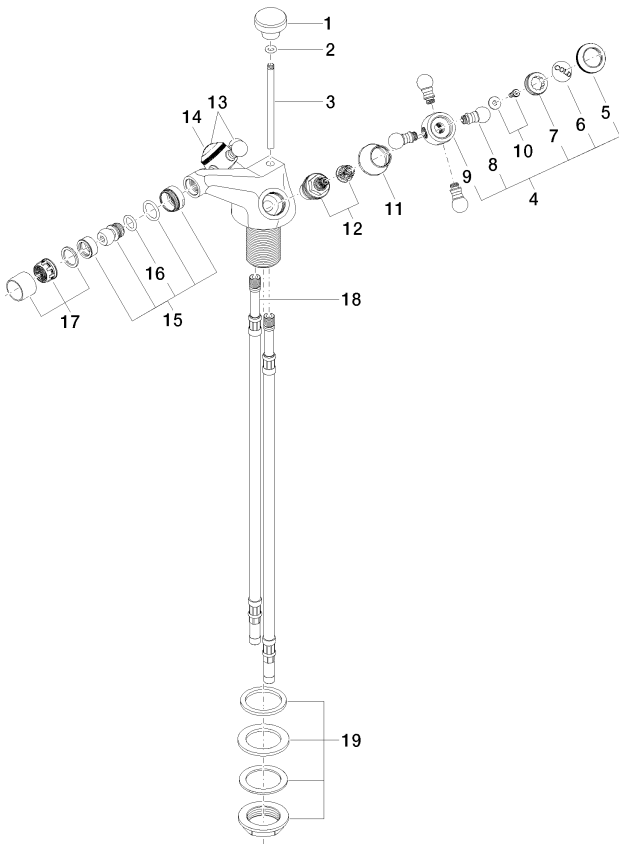
04 30 04 045 00 90
Flexible supply line 3/8" -



04 11 01 023 00-00
Drain - polished chrome

Bidet - Madison
Single-hole bidet mixer with drain - polished chrome
Article number: 24 510 360-00

Spare parts list



Number	Item Number	Designation	Number of units
1	09 20 36 030-00	handle	1
2	09 14 10 062 90	seal	1
3	09 31 09 004-00	pull-rod	1
4	04 20 36 002 06-00	handle (cold)	1
5	09 20 36 005-00	handle	2
6	09 26 01 010 90	accessories	1
7	09 20 83 006 90	handle	2
8	09 20 36 004-00	handle	4
9	09 20 36 002-00	handle	2
10	04 30 30 029 00 90	fixing set	2
11	09 21 02 055-00	cover	2
12	90 90 03 151 00 90	top	2
13	04 20 36 002 07-00	handle (hot)	1
14	09 26 01 011 90	accessories	1
15	04 21 40 007 00-00	joint	1
16	09 14 10 011 90	seal	1
17	90 23 01 119 02-00	aerator	1
18	04 30 04 064 00 90	hose	2
19	04 23 10 009 01 90	fixing set	1
20	04 11 01 001 00-00	pop-up waste	1

20 ————— Abba/garnitur 0411.01.001.00-F