

36 862 660 Product version from 7/1/2023



- Spout version bent by 90°
- 7-1/2" Projection
- Rigid spout
- Round aerated stream
- Spout hole diameter 1-1/2"
- Hole diameter single-lever mixer 2-1/4"
- 2-1/8" diameter flange for spout
- Diameter flange for mixer 3-1/8"
- Water flow rate limited to max. 1.2 gpm
- lead-free
- This product can help a building meet the requirements of Green Building Rating Systems, e.g. LEED®, BREEAM®, DGNB

(ADA)

(ADA)

	Chrome	36 862 660-00 0010
	Brushed Platinum	36 862 660-06 0010
	Dark Chrome	36 862 660-19 0010
	Light Gold (PVD)	36 862 660-26 0010
	Brushed Light Gold (PVD)	36 862 660-27 0010
	Matte Black	36 862 660-33 0010
	Brushed Gold (PVD)	36 862 660-37 0010
	Brushed Dark Brass (PVD)	36 862 660-39 0010
	Brushed Bronze (PVD)	36 862 660-42 0010
	Brushed Dark Bronze (PVD)	36 862 660-43 0010
	Brushed Chrome	36 862 660-93 0010
	Brushed Dark Platinum	36 862 660-99 0010

Required article

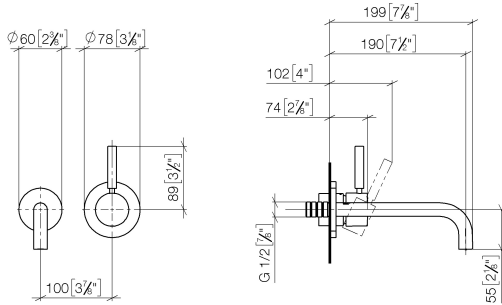


Rough for wall-mounted faucet - 35 860 970-90 0010

- Min. rough in depth 3"
- Rough can be rotated to position the lever on top or to the left of the spout.
- Max. rough in depth 3-3/4"

36 862 660 Product version from 7/1/2023

mm [inches]



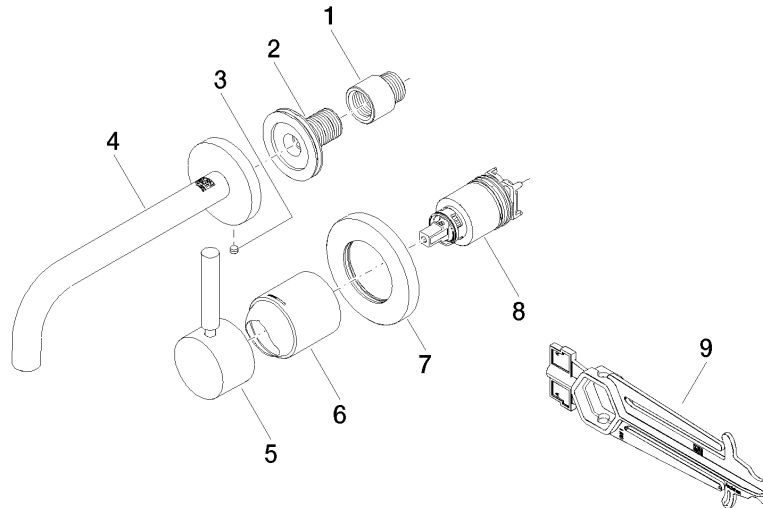
Codes & Standards

ADA	ASME A112.18.1	California Energy Commission (CEC)	cUPC
EPA WaterSense	NSF372	NSF61	WaterSense



Certificates and sustainability

IAPMO_N-4976	IAPMO_6397	IAPMO_4976 (IAPMO_8834	EPD-DOR-20230287 -IBA1-EN Environmental product-declarat
--------------	------------	--------------	------------	--



Spare parts list

Number	Item Number	Designation	Number of units	Lead time
8	90 15 05 064 01 90	EHM cartridge With adapter plate incl. mounting wrench Ø 35 mm x 58,6 mm -	1.00	-
Spare part can no longer be ordered, please order the replacement item				
	9015050460190	EHM cartridge with cartridge insert , torque wrench Ø 35 mm x 58,6 mm -		
4	90 28 22 351 01-00	Outlet For washbasin Wall-mounted 190 mm, 1.2 gpm - Chrome	1.00	10
9	90 30 09 064 00 90	assembly wrench For cartridge nut -	1.00	2
6	09 11 02 288-00	Hood Ø 45 x 55 mm - Chrome	1.00	10
2	90 24 03 280 00 90	Connection -	1.00	2
5	90 20 66 007 00-00	Handle Lever 52 x 35 x 117 mm - Chrome	1.00	10
1	09 24 03 072 10 90	Extension 1/2" x 20 mm -	1.00	2
7	90 27 62 011 00-00	Cover Ø 78 x Ø 45,7 x 9 mm - Chrome	1.00	10
3	09 31 11 148 90	Mounting bracket Threaded pin With hex socket With tip M5 x 4 mm -	1.00	2