



Sink - IMO

Single-lever lavatory mixer with drain - Brushed Chrome

Article number: 33 500 670-93 0010

Date of manufacture from 5/10/2021



- 5-1/8" Projection
- US drain with overflow
- Rigid spout
- Rectangular aerated stream
- Total height 6-1/8"
- Height to aerator/spout outlet 3-1/8"
- 1-3/8" hole diameter
- 2 x pressure hose with 3/8" compression fitting
- Water flow rate limited to max. 1.2 gpm
- lead-free

Codes & Standards

- NSF/ANSI 372
- California Energy Commission (CEC)
- ASME A112.18.1/CSA B125.1
- NSF/ANSI/CAN 61
- ADA

- Suitable only for basins with overflow.
- (ADA)



Brushed Chrome



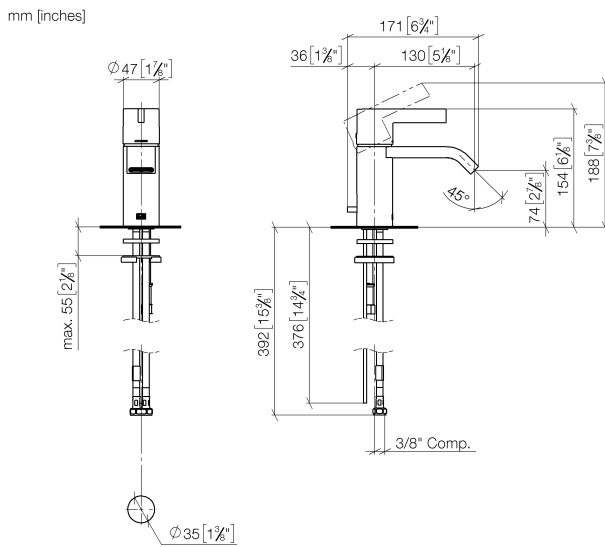
Sink - IMO

Single-lever lavatory mixer with drain - Brushed Chrome

Article number: 33 500 670-93 0010

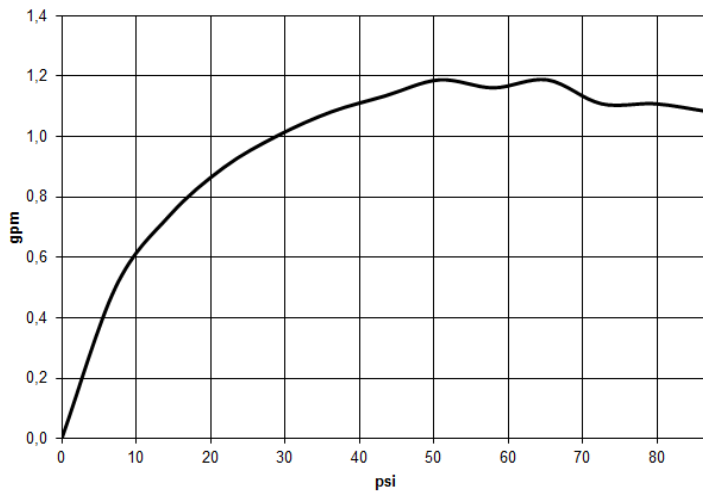
Date of manufacture from 5/10/2021

Dimensional drawing



All dimensions in mm / inch = mm x 0,0394

Flow rate chart





Sink - IMO

Single-lever lavatory mixer with drain - Brushed Chrome

Article number: 33 500 670-93 0010

Date of manufacture from 5/10/2021

Other surface finishes



Chrome

33 500 670-00 0010



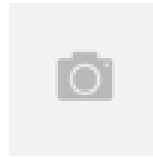
Brushed Platinum

33 500 670-06 0010



Platinum

33 500 670-08 0010



Brushed brass (23kt gold)

33 500 670-28 0010



Brushed Dark Platinum

33 500 670-99 0010

More custom finish options are available via special production (xTra Service). See our finish matrix for availability and pricing or contact a Dornbracht representative. Some series may be excluded and some finishes may not be available in all series.



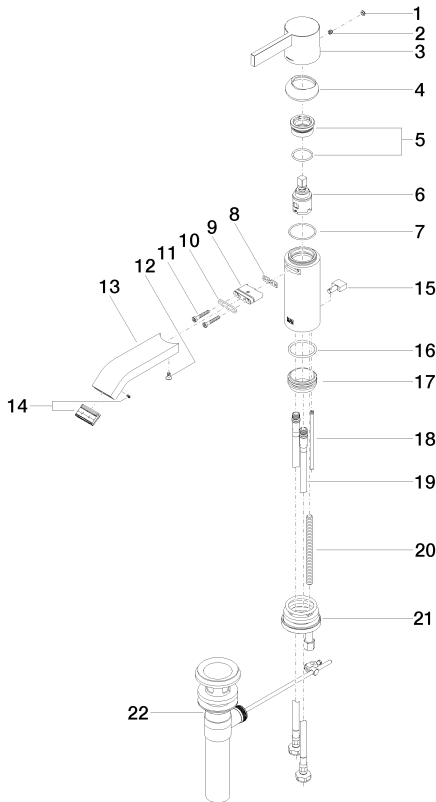
Sink - IMO

Single-lever lavatory mixer with drain - Brushed Chrome

Article number: 33 500 670-93 0010

Date of manufacture from 5/10/2021

Spare parts list



Number	Item Number	Designation	Number of units
1	90 31 20 087 00-93	plug	1
2	09 31 11 030 90	pin	1
3	09 20 67 003-93	handle	1
4	09 28 30 019-93	cover	1
5	90 23 10 066 00 90	nut	1
6	90 15 05 042 00 90	cartridge	1
7	09 14 10 102 90	seal	1
8	09 14 03 131 90	seal	1
9	09 11 03 061 90	connection	1
10	09 14 10 053 90	seal	1
11	09 30 30 084 90	screw	2
12	09 30 30 116 90	screw	1
13	09 28 22 239-93	spout	1
14	90 29 03 118 00 90	aerator	1
15	09 20 67 002-93	handle	1
16	09 14 10 119 90	seal	1
17	09 28 10 109-07	ring	1
18	09 31 09 080-93	pull-rod	1
19	04 30 04 106 00 90	hose	2
20	09 31 11 012 90	pin	1
21	04 30 11 085 88 90	fixing set	1
22	04 11 01 023 00-93	Drain US 1 1/4" - Brushed Chrome	1