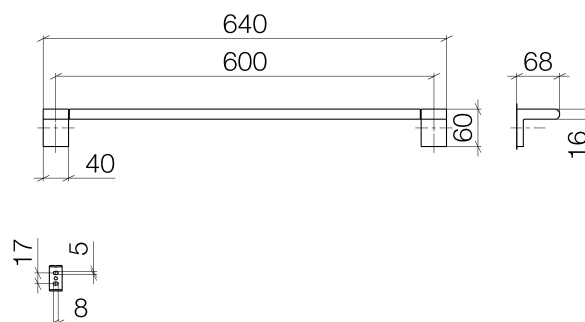




Product specifications

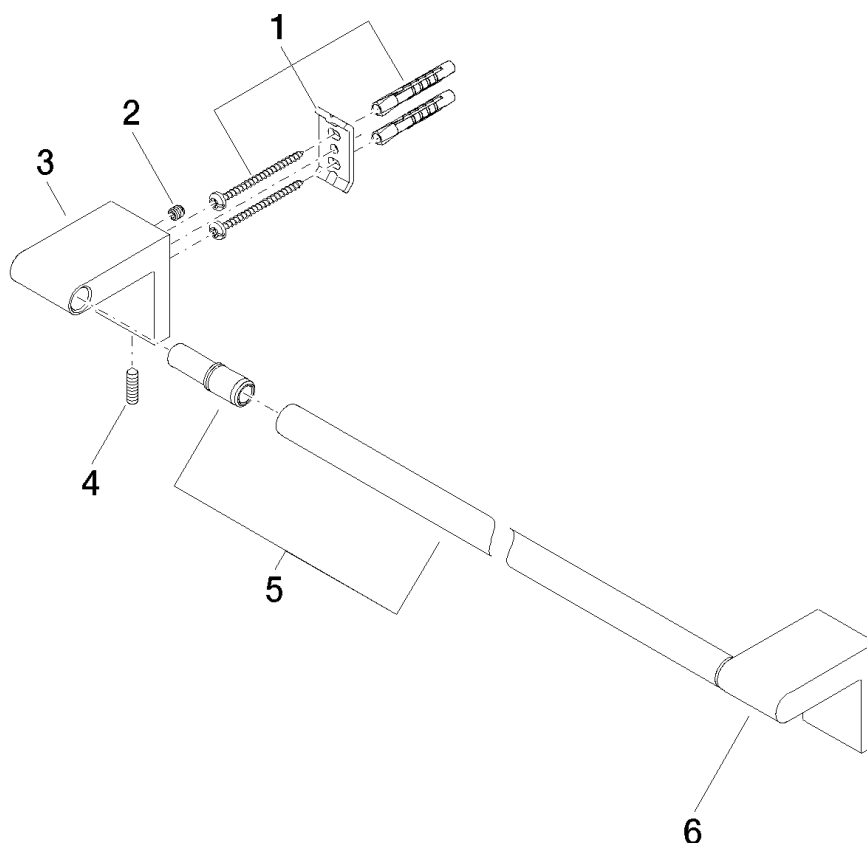
- Center to center 23-5/8"
- Width 25-3/8"
- Height 2-3/8"
- 2-7/8" Projection



Surfaces

- | | |
|-----------------|-------------|
| • chrome | 83060670-00 |
| • matt platinum | 83060670-06 |

Exploded assembly drawing





Order quantity

No.	Article number	Name	Installation quantity
1	0517207360090	fixing set	2
2	09311104990	pin	2
3	081767502ff	holder	1
4	0431111130090	pin	2
5	90282265200ff	holder	1
6	081767503ff	holder	1