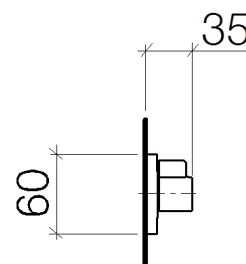
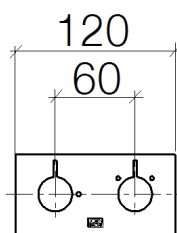




**Product specifications**

- Cover plate 4-3/4" x 2-3/8"

**NOTE: Important! Due to minimum rough-in requirements, a framing of 2 x 6 studs is needed. (ADA)**



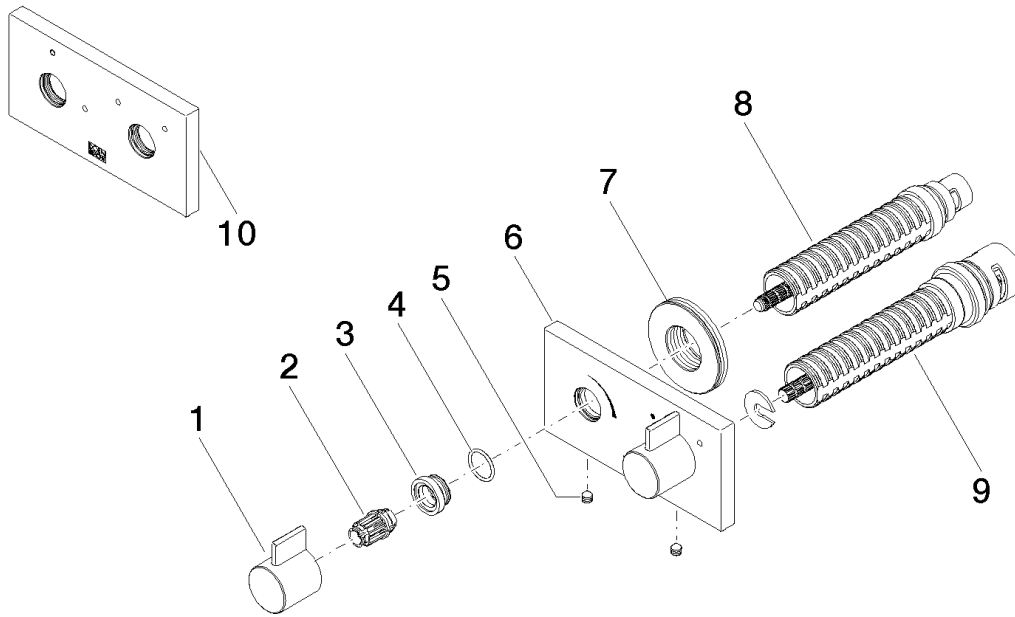
**Surfaces**

- chrome 36325985-00
- matt platinum 36325985-06

**Accessories required**

- xGATE Rough for wall mounted mixing valve with volume control; 35 691 970

**Exploded assembly drawing**



**Order quantity**

<b>No.</b>	<b>Article number</b>	<b>Name</b>	<b>Installation quantity</b>
1	092098002ff	handle	2
2	09121200590	fixing cap	2
3	091212043ff	base	2
4	09141001790	seal	2
5	0431111120090	pin	2
6	092798033ff	plate	1
7	09300110790	sleeve	1
8	9090032020090	top	1
9	9090031580090	diverter	1
10	092798022ff	plate	1

**Flow rate chart**

