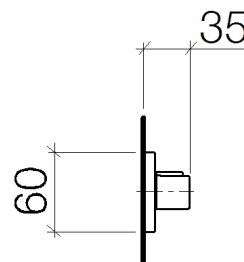
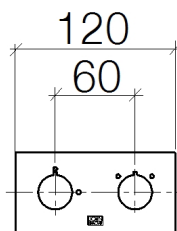




Product specifications

- Cover plate 4-3/4" x 2-3/8"

NOTE: Important! Due to minimum rough-in requirements, a framing of 2 x 6 studs is needed.



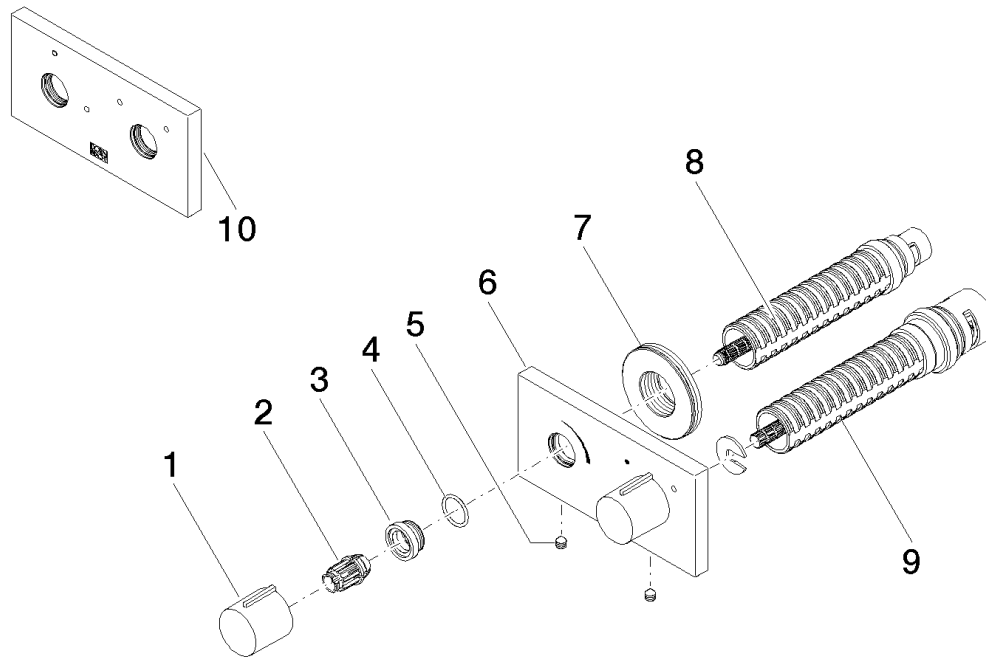
Surfaces

- chrome 36325980-00
- matt platinum 36325980-06

Accessories required

- xGATE Rough for wall mounted mixing valve with volume control; 35 691 970

Exploded assembly drawing



**Order quantity**

No.	Article number	Name	Installation quantity
1	092098001ff	handle	2
2	09121200590	fixing cap	2
3	091212043ff	base	2
4	09141001790	seal	2
5	0431111120090	pin	2
6	092798033ff	plate	1
7	09300110790	sleeve	1
8	9090032020090	top	1
9	9090031580090	diverter	1
10	092798022ff	plate	1

