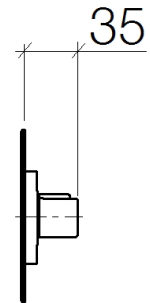
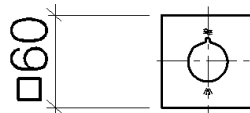




Product specifications

- Manual diverter
- Flange 2-3/8" x 2-3/8"

NOTE: Important! Due to minimum rough-in requirements, a framing of 2 x 6 studs is needed.



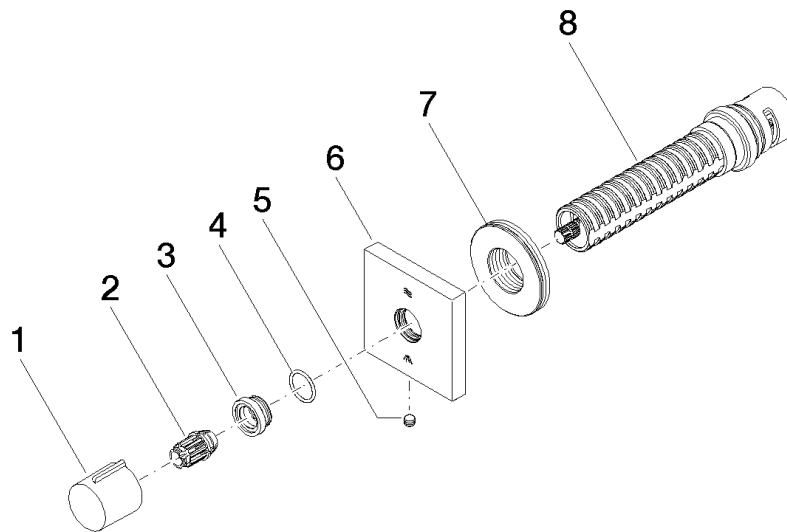
Surfaces

- chrome 36128980-00
- matt platinum 36128980-06

Accessories required

- Wall mounted two-way diverter; 35 128 970

Exploded assembly drawing



**Order quantity**

No.	Article number	Name	Installation quantity
1	092098001ff	handle	1
2	09121200590	fixing cap	1
3	091212043ff	base	1
4	09141001790	seal	1
5	0431111120090	pin	1
6	092798021ff	rosette	1
7	09210215190	sleeve	1
8	9090031590090	diverter	1

Flow rate chart

