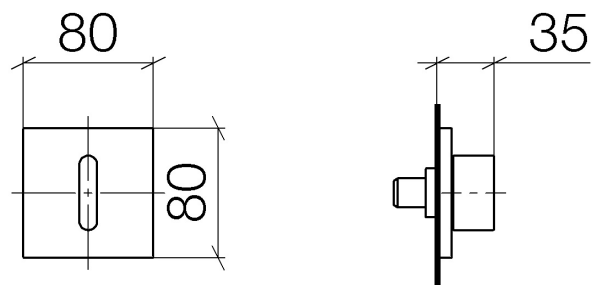




**Product specifications**

- Manual diverter
  - Flange 3-1/8" x 3-1/8"
- (ADA)**



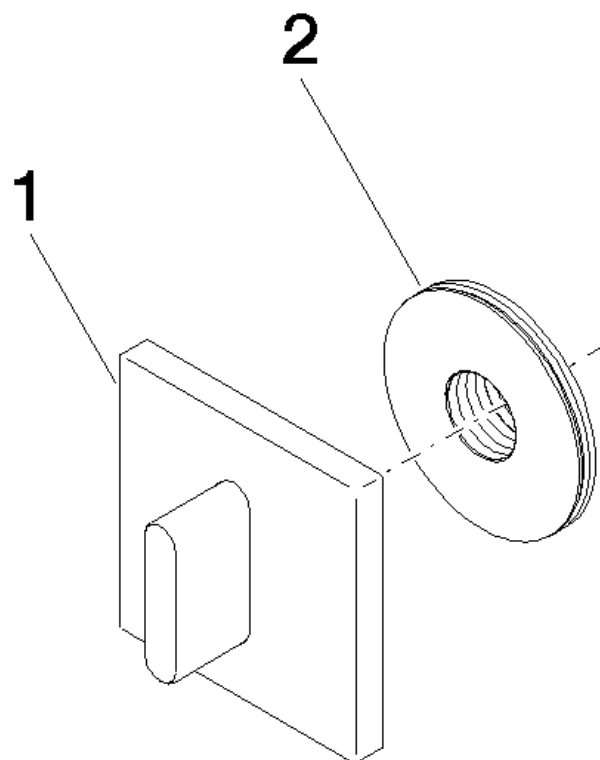
**Surfaces**

- chrome 36104705-00
- matt platinum 36104705-06

**Accessories required**

- Wall mounted three-way diverter; 35 104 970
- Wall mounted two-way diverter; 35 124 970

**Exploded assembly drawing**





**Order quantity**

| <b>No.</b> | <b>Article number</b> | <b>Name</b> | <b>Installation quantity</b> |
|------------|-----------------------|-------------|------------------------------|
| <b>1</b>   | 90207005100ff         | handle      | 1                            |
| <b>2</b>   | 09210210990           | cover       | 1                            |