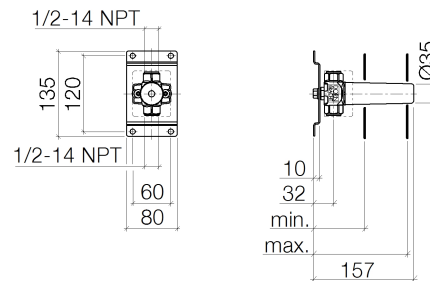


**Product specifications**

- brass, lead free
- female thread 1/2" connection
- Mud guard
- Water protection
- Sound insulation
- Wall elbow 1/2" (concealed rough parts) Also compatible with xGrid

**NOTE: Important for certain series! Due to minimum rough-in requirements, a framing of 2x6 studs is needed.**

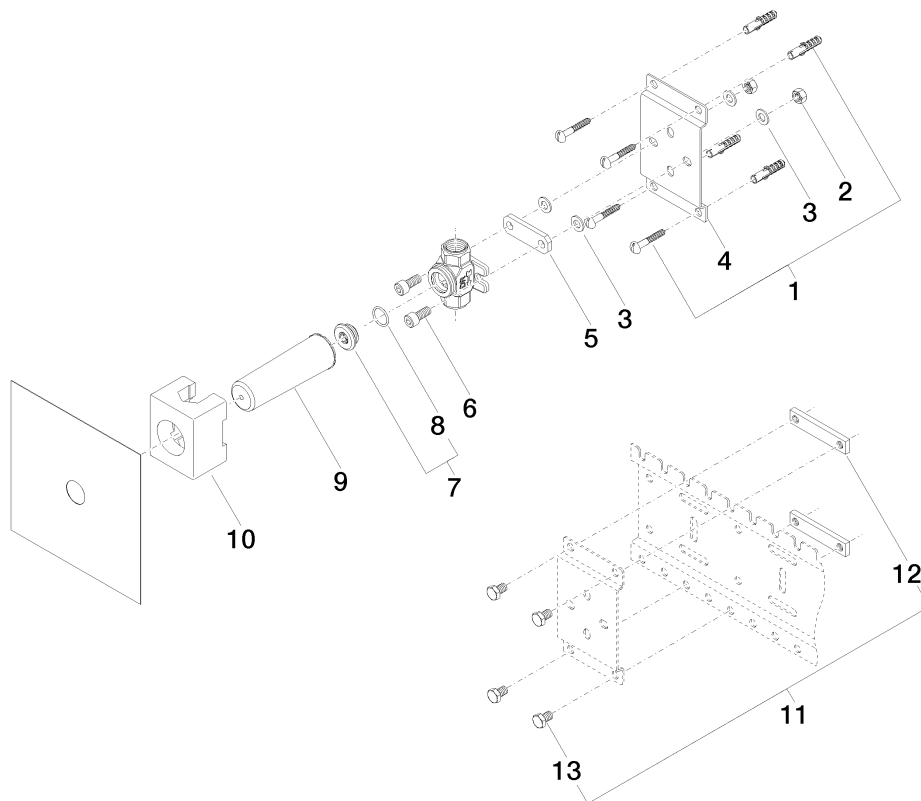


	min	max
Symetrics	70	147

**Surfaces**

- 35677970-900010

**Exploded assembly drawing**



**Order quantity**

<b>No.</b>	<b>Article number</b>	<b>Name</b>	<b>Installation quantity</b>
1	0430310240190	fixing set	2
2	09231002390	nut	2
3	09301113990	disc	4
4	09172010490	holder	1
5	09301113790	disc	1
6	09303015590	screw	1
7	0431200060090	plug	2
8	09141005390	seal	1
9	09210210290	cap	1
10	09111103790	accessories	1
11	0417201000090	fixing set	1
12	09172010090	holder	2
13	09303015290	screw	4

**Concealed rough parts Rough for wall valve counter-clockwise closing 1/2"**

Article number: 35677970900010

