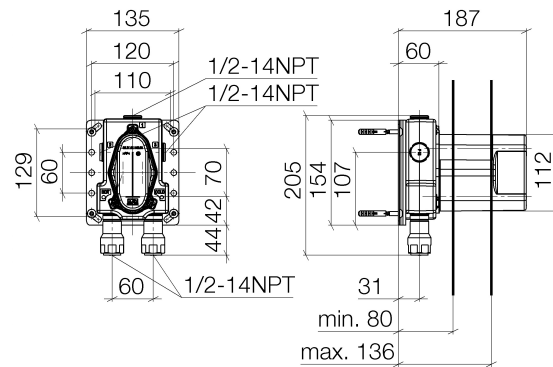


Product specifications

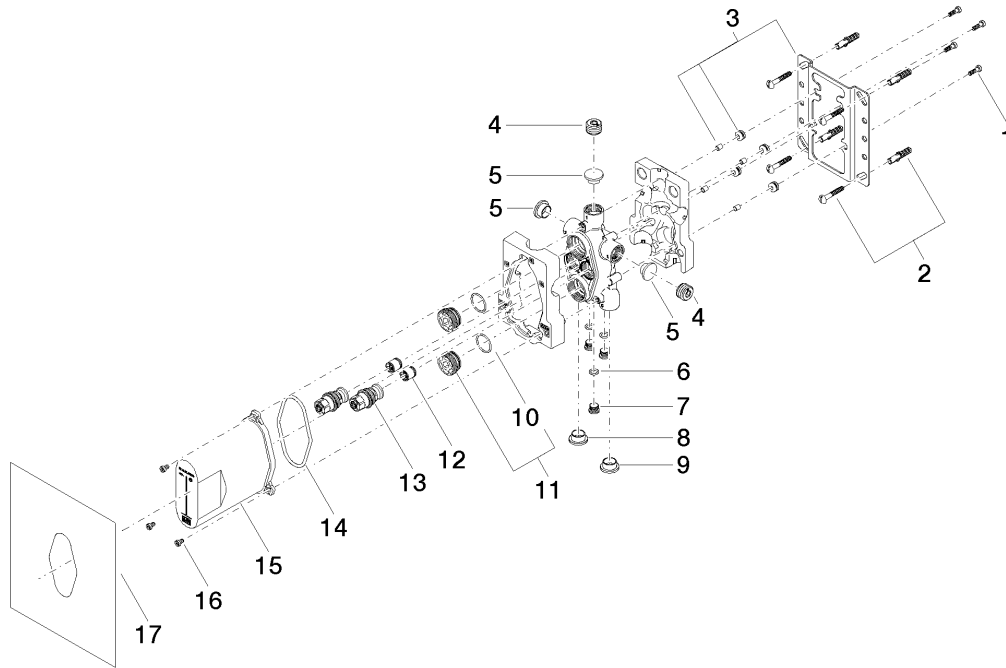
- Min. rough in depth 3-1/8"
- Max. rough in depth 5-3/8"



Surfaces

- 35426970-900010

Exploded assembly drawing



Order quantity

No.	Article number	Name	Installation quantity
1	09303017190	screw	4
2	0430310240190	fixing set	2
3	0417201270090	holder	1
4	09312006490	plug	2
5	09312009290	plug	3
6	09141013990	seal	3
7	0931200391090	plug	3
8	09312009390	plug	1
9	09312009490	plug	1
10	09141011290	seal	2
11	0430111490090	plug	2
12	09230104090	back-flow preventer	2
13	0429050310190	insert	2
14	09141051290	seal	1
15	0421021460090	cap	1
16	09303011290	screw	3
17	0414030800090	gasket kit	1



Flow rate chart

